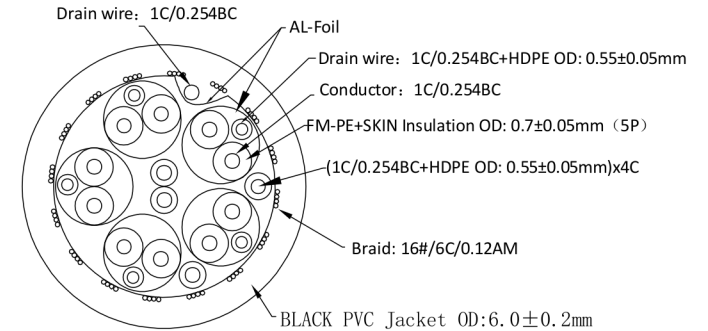
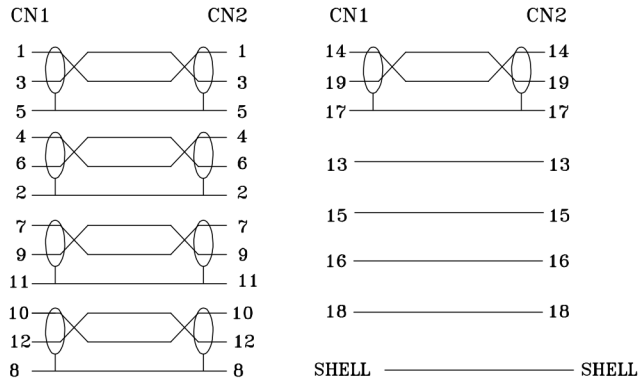
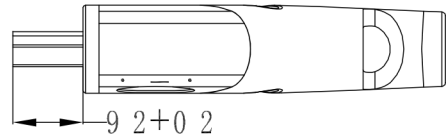
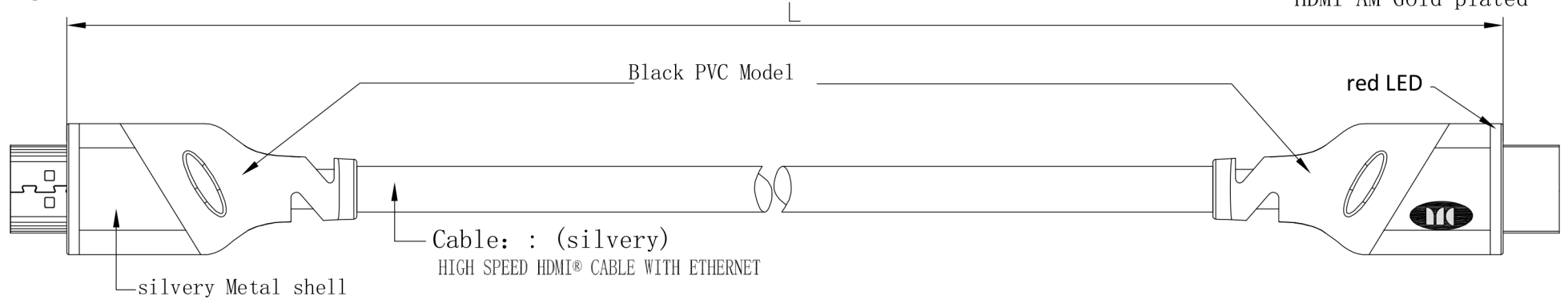
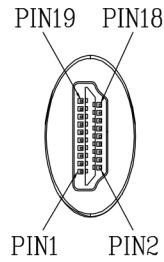


1. 100% OPEN SHORT MIS WIRE TEST
2. CONTACT RESISTANCE:5 OHM MAX
3. INSULATION RESISTANCE:5M OHM MIN
4. HI-POT TEST:DC 300V/10ms
5. PASS 4:4:4/18G/4K@60HZ EST

CONSUMER ITEM	LENGTH (mm)
0.5M	500±20
1M	1000±20
1.5M	1500±30
2M	2000±30
3M	3000±30

HDMI AM Gold plated

HDMI AM Gold plated



				DESCRIPTION	FINISHED PRODUCT'S FIGURE	SCALE	FIT	UNITS: MM	IRD ANGLE
				MODEL NO.		△			
APPROVED	CHECKED	DRAWING	DESIGNED	DRAWING NO.		△			
		YAN	YAN	FINISHING		△	2020/11/05		A1
				MATERIAL		SYM	DATE		REVISION