

NON-METALLIC FIBERGLASS ENCLOSURES

NEMA 4X (IP66) FIBERGLASS JIC SIZE JUNCTION BOXES WITH FACTORY INSTALLED MOUNTING FLANGES

OM-AMU Series



- Suited for Higher Temperatures or Corrosive Environments
- Protect Controls and Components Indoors or Outdoors
- UL 94 Flammability Rating
- UV Stabilized for Outdoor Use
- 304 SS Hardware and Continuous Hinge
- Multiple Cover Options—Raised or Clear Polycarbonate
- Optional Sub-Panels and Front Panels
- Factory Installed Mounting Flange or 304 SS Mounting Feet Available

OM-AMU series non-metallic fiberglass enclosures are designed to insulate and protect electrical controls and components in both indoor and outdoor applications and are especially well suited for higher temperatures and corrosive environments. These NEMA 4X (IP66) fiberglass JIC junction boxes feature raised covers with a variety of latching options that allow you to provide the level of security or ease of access needed for each application. The OM-AMU series enclosures have molded-in hinges with removable stainless steel hinge pins.

Construction

- Fiberglass Reinforced Polyester Formulation
- Tongue and Groove, Closed Cell Neoprene Seal Designed for Nema Type 4X Rating
- Molded-In Hinge and Latch Keeper Designs Eliminate Wall Penetrations
- Factory Installed Durable Polycarbonate Mounting Flange
- 304 SS Hardware

Closures

The OM-AMU Series fiberglass enclosures are available in four closure styles.

- Lift-Off Cover with Four Screws
- Molded-In Hinge on One Side with 2 Screws on the Opposite Side
- Padlocking Snap Latch or Twist Latch with Molded-In Hinge



OM-AMU664F solid cover fiberglass enclosure with 4 screw closure and factory installed mounting flange.

All models shown much smaller than actual size.

OM-AMU1206TCCF fiberglass enclosure with molded-in hinge, clear polycarbonate cover, padlocking twist latch and mounting flange.



OM-AMU1426LWF raised front fiberglass enclosure with stainless steel hinge, padlocking snap latch, viewing window and mounting flange.

OM-AMU1084TCCF fiberglass enclosure with molded-in hinge, clear polycarbonate window and padlocking twist latch. Shown with OM-HFPU108, front dead panel sold separately.

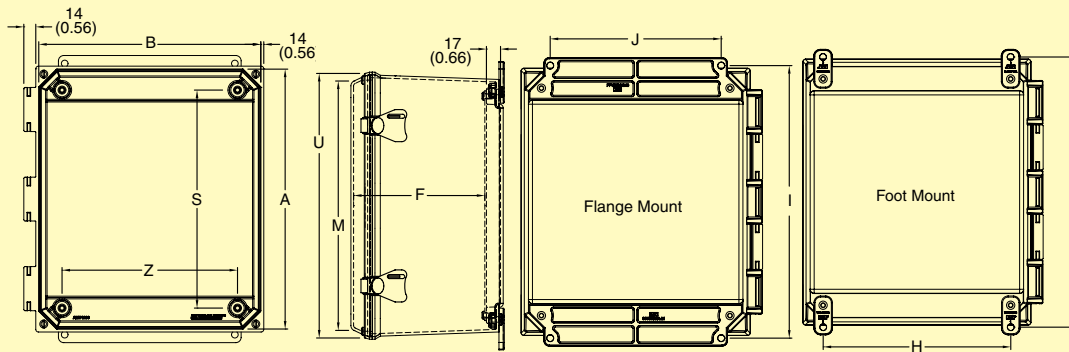


SPECIFICATIONS

Service Temperature Rating: -35 to 130°C (-31 to 266°F)

Standards: UL Types 1, 2, 3, 4, 4X, 12 and 13;
CSA Types 1,2,3,3R, 4 4X, 12 and 13;
NEMA Types 1, 2, 3, 3R, 4, 4X, 12 and 13;
IEC Type IP66

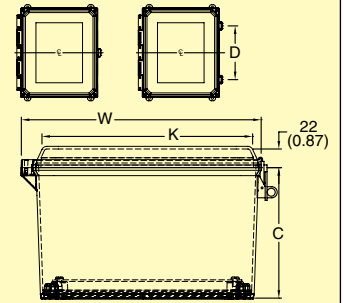
Dimensions: mm (inch)



Note: Cover Removed for Clarity

Latch Locations

For Use On	For Use On
6x6x4	12x10x6 D= 191 (7.50)
8x6x4	14x12x6 D=203 (8.00)
10x8x4	16x14x8 D=229 (9.00)
10x8x6	18x16x8 D=241 (9.50)
	20x18x8 D=260 (10.25)



All models shown much smaller than actual size.



OM-AMU1084TCCF fiberglass enclosure with molded-in hinge, clear polycarbonate window and padlocking twist latch. Shown with OM-HFPU108, front dead panel sold separately.



OM-AMU1426LWF raised front fiberglass enclosure with stainless steel hinge, 2 padlocking, snap latches, viewing window and mounting flange.



OM-AMU1206TCCF fiberglass enclosure with molded-in hinge, clear polycarbonate cover, padlocking twist latch and mounting flange.

OM-AMU SERIES DIMENSIONS: mm (inch)

MODEL NUMBER	BOX SIZE			USABLE DEPTH F	PANEL BOSS CENTERS		FLANGE MOUNT CENTERS		FOOT MOUNT CENTERS		COVER SIZE				NOMINAL WALL THICKNESS	WINDOW H x W
	A	B	C		S	Z	J	I	H	L	K	M	U	W		
OM-AMU664	154 (6.05)	159 (6.27)	105 (4.13)	104 (4.11)	108 (4.25)	108 (4.25)	102 (4.00)	175, 171 (6.88, 6.75)	125 (4.91)	171 (6.75)	150 (5.89)	144 (5.67)	171 (6.72)	165 (6.50)	3 (0.13)	90 x 90 (3.50 x 3.50)
OM-AMU864	204 (8.05)	159 (6.27)	105 (4.13)	104 (4.11)	159 (6.25)	108 (4.25)	102 (4.00)	226, 222 (8.88, 8.75)	125 (4.91)	222 (8.75)	150 (5.89)	195 (7.67)	171 (6.72)	216 (8.50)	3 (0.13)	133 x 102 (5.25 x 4.00)
OM-AMU1084	255 (10.05)	210 (8.27)	105 (4.13)	104 (4.11)	210 (8.25)	159 (6.25)	152 (6.00)	273 (10.75)	176 (6.91)	273 (10.75)	200 (7.89)	246 (9.67)	221 (8.72)	267 (10.50)	3 (0.13)	159 x 108 (6.25 x 4.25)
OM-AMU1206	306 (12.05)	261 (10.27)	156 (6.13)	155 (6.11)	260 (10.25)	210 (8.25)	203 (8.00)	324 (12.75)	224 (8.82)	323 (12.70)	251 (9.89)	296 (11.67)	272 (10.72)	318 (12.50)	3 (0.13)	213 x 165 (8.38 x 6.50)
OM-AMU1426	357 (14.05)	312 (12.27)	156 (6.13)	155 (6.11)	311 (12.25)	260 (10.25)	254 (10)	375, 371 (14.75, 14.62)	275 (10.82)	373 (14.7)	302 (11.89)	347 (13.67)	323 (12.72)	368 (14.5)	3 (0.13)	264 x 216 (10.38 x 8.50)
OM-AMU1648	408 (16.05)	362 (14.27)	207 (8.13)	206 (8.11)	362 (14.25)	311 (12.25)	305 (12.00)	425 (16.75)	291 (11.47)	430 (16.91)	353 (13.89)	398 (15.67)	374 (14.72)	419 (16.50)	4 (0.14)	314 x 267 (12.38 x 10.50)
OM-AMU1860	460 (18.12)	415 (16.34)	257 (10.13)	257 (10.10)	413 (16.25)	362 (14.25)	305 (12.00)	480, 477 (18.88, 18.76)	348 (13.72)	487 (19.16)	410 (16.14)	455 (17.92)	431 (16.97)	476 (18.75)	5 (0.19)	330 x 279 (13.00 x 11.00)
OM-AMU2060	505 (19.87)	409 (16.09)	257 (10.13)	257 (10.10)	452 (17.81)	351 (13.81)	254 (10.00)	540 (21.25)	334 (13.16)	521 (20.53)	404 (15.89)	500 (19.67)	425 (16.72)	521 (20.50)	5 (0.19)	356 x 305 (14.00 x 12.00)



Pole mount kits for up to 16" dia. poles available. See accessories chart below.

Pole mount kits are 14 gauge (0.075") galvanized steel with 48" SS pole clamp and includes #10-32 SS screws, washers and lock nuts.

OM-AMU664F solid cover fiberglass enclosure with 4 screw closure and factory installed mounting flange.



Shown smaller than actual size.

ACCESSORIES

SUB-PANELS			
FIBERGLASS	ALUMINUM	STEEL	DESCRIPTION
OM-PF66	OM-PA66	SCE-6P6	Sub-panel for 6 x 6" enclosure
OM-PF86	OM-PA86	SCE-8P6	Sub-panel for 8 x 6" enclosure
OM-PF108	OM-PA108	SCE-10P8	Sub-panel for 10 x 8" enclosure
OM-PF120	OM-PA120	SCE-12P10	Sub-panel for 12 x 10" enclosure
OM-PF142	OM-PA142	SCE-14P12	Sub-panel for 14 x 12" enclosure
OM-PF164	OM-PA164	SCE-16P14	Sub-panel for 16 x 14" enclosure
OM-PF186	OM-PA186	OM-P186	Sub-panel for 18 x 16" enclosure
OM-PF206	OM-PA206	OM-P206	Sub-panel for 20 x 16" enclosure
FRONT-PANELS	DESCRIPTION		
OM-HFPU66	Aluminum front-panel for 6 x 6" enclosure		
OM-HFPU86	Aluminum front-panel for 8 x 6" enclosure		
OM-HFPU108	Aluminum front-panel for 10 x 8" enclosure		
OM-HFPU120	Aluminum front-panel for 12 x 10" enclosure		
OM-HFPU142	Aluminum front-panel for 14 x 12" enclosure		
OM-HFPU164	Aluminum front-panel for 16 x 14" enclosure		
OM-HFPU186	Aluminum front-panel for 18 x 16" enclosure		
OM-HFPU206	Aluminum front-panel for 20 x 16" enclosure		
POLE MOUNT KIT	DESCRIPTION		
OM-AMPOLEMNT6	Pole mount kit for 6" wide fiberglass enclosures		
OM-AMPOLEMNT8	Pole mount kit for 8" wide fiberglass enclosures		
OM-AMPOLEMNT10	Pole mount kit for 10" wide fiberglass enclosures		
OM-AMPOLEMNT12	Pole mount kit for 12" wide fiberglass enclosures		
OM-AMPOLEMNT14	Pole mount kit for 14" wide fiberglass enclosures		
OM-AMPOLEMNT16	Pole mount kit for 16" wide fiberglass enclosures		

To Order

NON-METALLIC FIBERGLASS ENCLOSURES

SCREW CLOSURE MODELS

MODELS WITHOUT HINGES	MODELS WITH HINGES	DIMENSIONS (inches)		
		HEIGHT	WIDTH	DEPTH
OM-AMU664F	OM-AMU664HF	6	6	4
OM-AMU664CCF	OM-AMU664CCHF	6	6	4
OM-AMU664WF	OM-AMU664HWF	6	6	4
OM-AMU864F	OM-AMU864HF	8	6	4
OM-AMU864CCF	OM-AMU864CCHF	8	6	4
OM-AMU864WF	OM-AMU864HWF	8	6	4
OM-AMU1084F	OM-AMU1084HF	10	8	4
OM-AMU1084CCF	OM-AMU1084CCHF	10	8	4
OM-AMU1084WF	OM-AMU1084HWF	10	8	4
OM-AMU1206F	OM-AMU1206HF	12	10	6
OM-AMU1206CCF	OM-AMU1206CCHF	12	10	6
OM-AMU1206WF	OM-AMU1206HWF	12	10	6
OM-AMU1426F	OM-AMU1426HF	14	12	6
OM-AMU1426CCF	OM-AMU1426CCHF	14	12	6
OM-AMU1426WF	OM-AMU1426HWF	14	12	6
OM-AMU1648F	OM-AMU1648HF	16	14	8
OM-AMU1648CCF	OM-AMU1648CCHF	16	14	8
OM-AMU1648WF	OM-AMU1648HWF	16	14	8
OM-AMU1860F	OM-AMU1860HF	18	16	10
OM-AMU1860WF	OM-AMU1860HWF	18	16	10
OM-AMU2060F	OM-AMU2060HF	20	16	10
OM-AMU2060WF	OM-AMU2060HWF	20	16	10

PADLOCKING LATCH CLOSURE MODELS

MODELS WITH SNAP LATCHES	MODELS WITH TWIST LATCHES	DIMENSIONS (inches)		
		HEIGHT	WIDTH	DEPTH
OM-AMU664LF	OM-AMU664TF	6	6	4
OM-AMU664LCCF	OM-AMU664TCCF	6	6	4
OM-AMU664LWF	OM-AMU664TWF	6	6	4
OM-AMU864LF	OM-AMU864TF	8	6	4
OM-AMU864LCCF	OM-AMU864TCCF	8	6	4
OM-AMU864LWF	OM-AMU864TWF	8	6	4
OM-AMU1084LF	OM-AMU1084TF	10	8	4
OM-AMU1084LCCF	OM-AMU1084TCCF	10	8	4
OM-AMU1084LWF	OM-AMU1084TWF	10	8	4
OM-AMU1206LF	OM-AMU1206TF	12	10	6
OM-AMU1206LCCF	OM-AMU1206TCCF	12	10	6
OM-AMU1206LWF	OM-AMU1206TWF	12	10	6
OM-AMU1426LF	OM-AMU1426TF	14	12	6
OM-AMU1426LCCF	OM-AMU1426TCCF	14	12	6
OM-AMU1426LWF	OM-AMU1426TWF	14	12	6
OM-AMU1648LF	OM-AMU1648TF	16	14	8
OM-AMU1648LCCF	OM-AMU1648TCCF	16	14	8
OM-AMU1648LWF	OM-AMU1648TWF	16	14	8
OM-AMU1860LF	OM-AMU1860TF	18	16	10
OM-AMU1860LWF	OM-AMU1860TWF	18	16	10
OM-AMU2060LF	OM-AMU2060TF	20	16	10
OM-AMU2060LWF	OM-AMU2060TWF	20	16	10

Note: "W" indicates models with viewing window, "CC" indicates clear polycarbonate cover.

Ordering Examples: OM-AMU664F, solid cover fiberglass enclosure 6 H x 6 W x 4" D with factory installed mounting flange.
OM-AMU1206LCCF fiberglass enclosure with raised UV resistant polycarbonate cover and snap latches 12 H x 10 W x 6" D,
and SCE-12P10 steel sub-panel for 12 x 10" enclosure.