

LINE MATCHING TRANSFORMER

P3034

Features

- * Low Distortion
- * 12.6mm (0.5") seated height
- * Vacuum encapsulated
- * IEC 950, UL 1950 and EN 60950 Certified
- * UL Recognized Component
- * BABT Certificate of Recognition

Applications

- * Telecommunications
- * V.34plus modems
- * Portable computers
- * Fax / modems

DESCRIPTION

P3034 is intended for V.34plus applications where low distortion at moderate power levels is required at a competitive price.

P3034 is a drop-in replacement for industry standard P1200 for circuits to be upgraded to V.34plus (33,600 bits/second). P3034 is also mechanically and electrically compatible with P2001.

P3034 meets international safety standards, being vacuum encapsulated and 100% tested to withstand 6.5kV DC.

P3034 is certified to IEC 950, EN 60950, UL1950, and EN 41003. P3034 is a UL Recognized Component and is supported by a BABT Certificate of Recognition and an IEC CB Test Certificate.



to Electronic Techniques
(Anglia) Limited

SPECIFICATIONS

Electrical

At T = 25°C and as circuit fig. 2 unless otherwise stated.

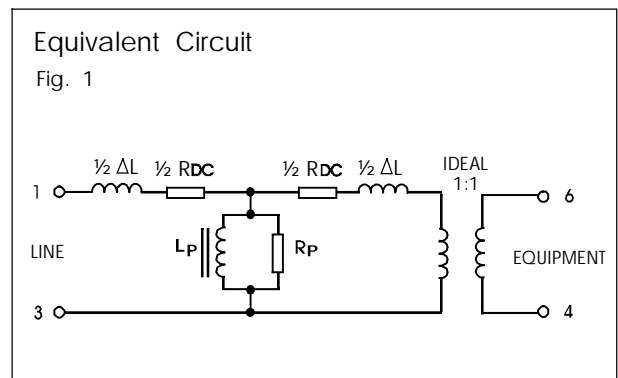
Parameter	Conditions	Min	Typ	Max	Units
Insertion Loss	f = 2kHz, R _L = 560Ω	-	-	1.5	dB
Frequency response	LF-3dB cutoff	-	-	50	Hz
	HF-3dB cutoff	10	-	-	kHz
	200Hz - 4kHz	-	-	±0.2	dB
Return Loss	200Hz - 4kHz	18	-	-	dB
Third Harmonic Distortion ⁽¹⁾	450Hz 0dBm in line	-	-78	-	dBm
	300Hz -10dBm	-	-92	-	dBm
	600Hz -10dBm	-	-105	-	dBm
Balance	DC – 5kHz Method TG25	80	-	-	dB
Saturation	Excitation 50Hz 250V rms.	-	-	10	Vrms
	Output voltage across line	-	-	65	Vpeak
Voltage isolation ⁽²⁾	50Hz	3.88	-	-	kVrms
	DC	5.5	-	-	kV
Operating range: Functional Storage	Ambient temperature	0	-	+70	°C
		-40	-	+125	°C

Lumped equivalent circuit parameters as Fig. 1

DC resistance, R _{DC} ⁽³⁾	Sum of windings	120	-	148	Ω
Leakage inductance ΔL		14.5	-	19	mH
Shunt inductance L _p ⁽⁴⁾	-43dBm 200Hz	4.5	6	-	H
Shunt loss R _p ⁽⁴⁾	-43dBm 200Hz	12	18	-	kΩ

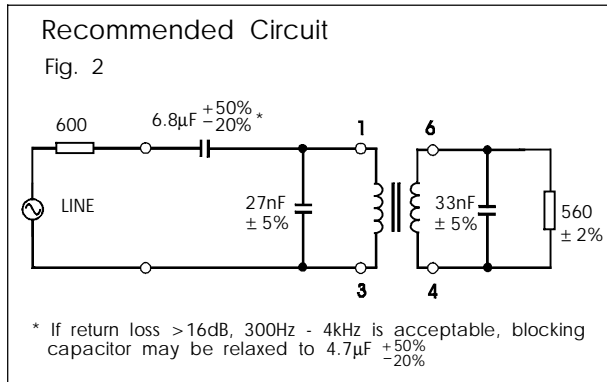
Notes

1. Third harmonic typically exceeds other harmonics by 20dB.
2. Components are 100% tested at 6.5kV DC.
3. Caution: do not pass DC through windings. Telephone line current, etc. must be diverted using choke or semiconductor line hold circuit.
4. At signal levels greater than -20dBm, L_p will increase and R_p will decrease slightly but the effect is usually favourable to the return loss characteristic.



MATCHING RECOMMENDATIONS

600Ω MATCH



EUROPEAN CTR21 COMPLEX MATCH

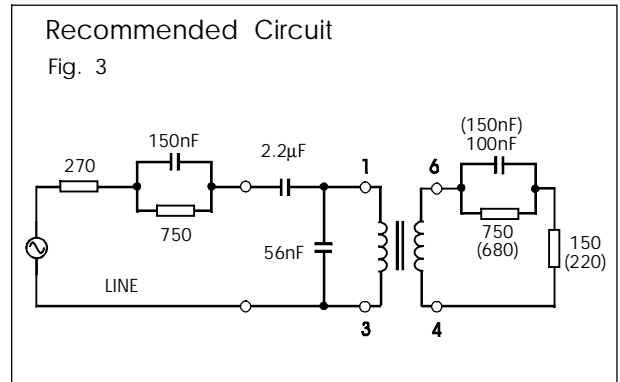
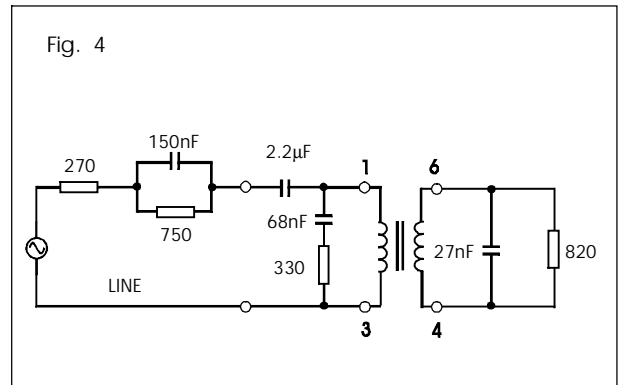
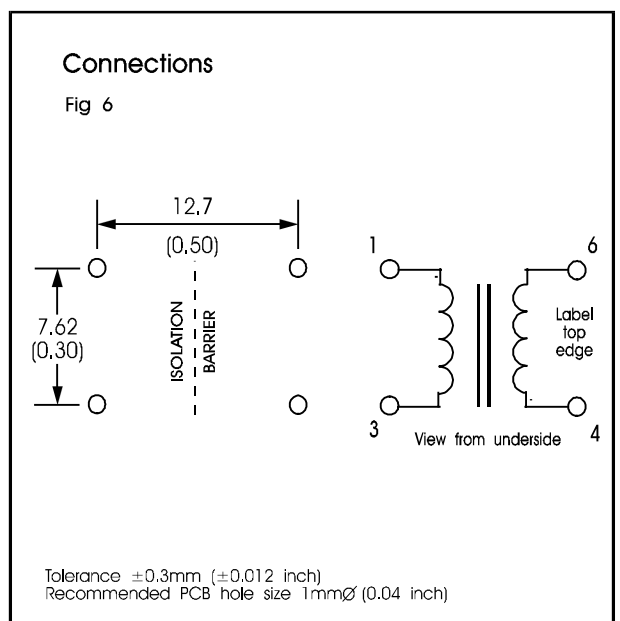
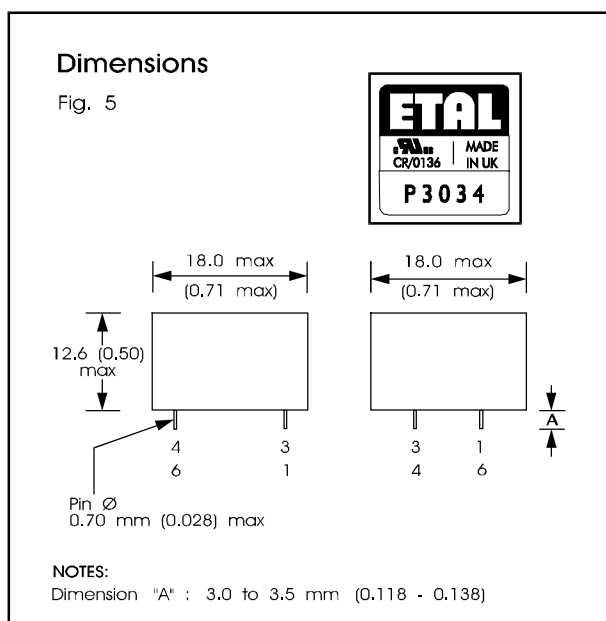


Figure 3 gives flat RX and TX responses against the CTR21 complex reference impedance (typically around $\pm 0.5\text{dB}$ 300Hz - 3.4kHz). Return loss is typically better than 20dB. The circuit values in parentheses give optimum flatness at a small sacrifice in return loss.

For circuits with existing board drillings, figure 4 gives good return loss (>20dB) and RX flatness against the CTR21 complex reference impedance, but TX flatness is degraded by the use of this topology.



CONSTRUCTION



Dimensions shown are in millimetres (inches).

Geometric centres of outline and pin grid coincide within a tolerance circle of 0.6mm

Windings may be used interchangeably as primary or secondary.

SAFETY

Constructed in accordance with IEC 950:1991, EN60950:1992 (BS7002:1992) to amendment 5, supplementary insulation, and UL 1950 3rd Edition, reinforced insulation, 250Vrms maximum working voltage, flammability class V-0.

Distances through solid insulation 0.4mm minimum.

CERTIFICATION

Certified under the IEC CB scheme (Certificate GB445W) to IEC 950:1991, up to amendment 4, sub-clauses 1.5, 1.5.1, 1.5.3, 2.2, 2.2.2, 2.2.3, 2.2.4, 2.9.2, 2.9.3, 2.9.4, 2.9.6, 2.9.7, 4.4, 4.4.3.2 (class V-0) and 5.3 for a maximum working voltage of 250Vrms, nominal mains supply voltage not exceeding 300Vrms and a maximum operating temperature of 70°C in Pollution Degree 2 environments, supplementary insulation.

Recognized under the Component Recognition Program of Underwriters Laboratories Inc. to US and Canadian requirements CAN/CSA C22.2 No. 950-95/UL1950, Third Edition, including revisions through to revision date March 1, 1998, based on Fourth Amendment of IEC 950, Second Edition, maximum working voltage 250Vrms, Pollution Degree 2, reinforced insulation.

UL File number E203175.

Approved and certified by BABT to EN 60950 and EN 41003.

BABT Certificate of Recognition CR/0136.

Additionally, Profec Technologies certifies all transformers as providing voltage isolation of 3.88kVrms, 5.5kV DC minimum. All shipments are supported by a certificate of conformity to current applicable safety standards

ABSOLUTE MAXIMUM RATINGS

(Ratings of components independent of circuit).

Short term isolation voltage (1s)	4.6kVrms, 6.5kV DC
DC current	100µA
Storage temperature	-40°C to +125°C
Lead temperature, 10s	260°C

COPYRIGHT

ETAL, P1200, P2001 and P3034 are Trade Marks of Profec Technologies Ltd.

The Trade Mark ETAL is registered at the UK Trade Marks Registry.

Profec Technologies Ltd. is the owner of the design right under the Copyright Designs and Patents Act 1988 and no rights or licences are hereby granted or implied to any third party.

© 1996-2000 Profec Technologies Ltd.
Reproduction prohibited.

PROFEC
TRANSFORMING THE FUTURE



ISO 9001
FM 25326

Profec Technologies Ltd., 10 Betts Avenue, Martlesham Heath, Ipswich, IP5 3RH, England

Telephone: +44 (0) 1473 611422

Websites: www.etal.ltd.uk

Email: info@etal.ltd.uk

Fax: +44 (0) 1473 611919

www.profec.com

sales@profec.com