

# RF / Coaxial Cable Assembly

## IP67 SMA Bulkhead Jack-to-MMCX Right Angle Plug, 100mm

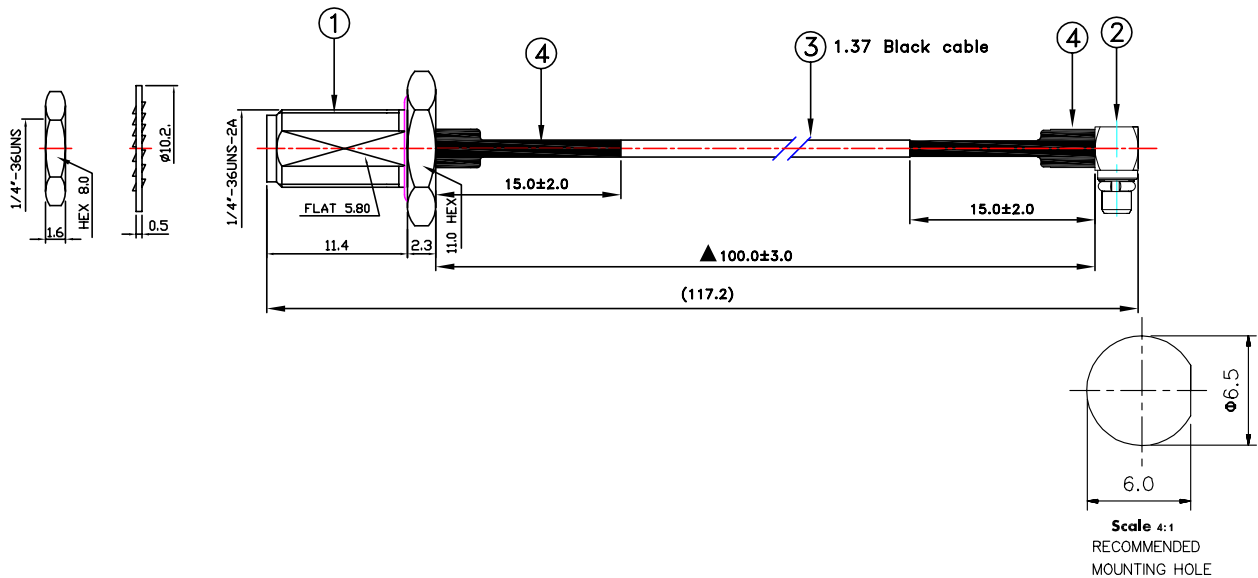
# multicomp PRO

## RoHS Compliant



### Electrical Performance:

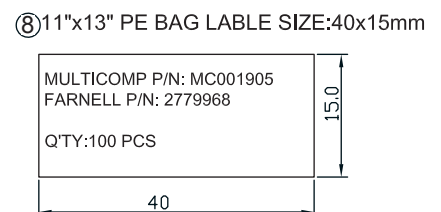
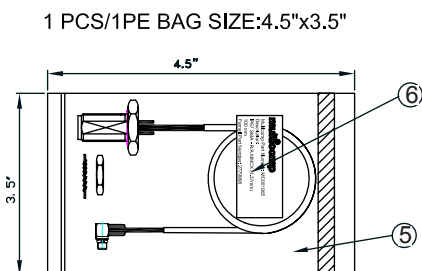
Impedance	: 50Ω
Frequency Range	: DC ~ 6.0 Ghz
Working Voltage	: 170Vrms Max.
Dielectric Withstanding Voltage	: 500Vrms Max.
Insulator Resistance	: 1000MΩ Min.



Scale 4:1  
RECOMMENDED MOUNTING HOLE  
Dimensions : Millimetres

Sl.	Description	Qty
1.	SMA IP67 B/H Jack Crimp Type for OD 1.37mm cable	1
2.	MMCX Right Angle Plug for OD 1.37mm Cable	
3.	1.37mm Black Cable	
4.	Heat Shrink Tube F32 Ø2.5mm L=15mm Colour: Black	

Specification	DC ~ 6.0 GHz
VSWR	1.65 : 1 Max.
Insertion Loss	-1.1 dB Max.



Newark.com/multicomp-pro  
Farnell.com/multicomp-pro  
Element14.com/multicomp-pro

# multicomp PRO