



PCV150E Series

150W IP67 CONSTANT VOLTAGE LED LIGHTING POWER SUPPLY



Key Features:

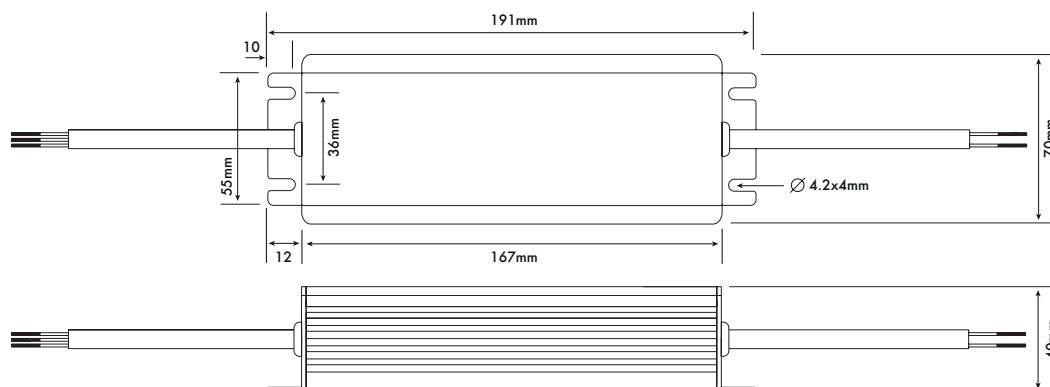
- Captive terminal screws for ease
- Over load, short circuit and thermal protection
- Class II product
- Safe no load operation
- Suitable for indoor and outdoor lighting applications
- Energy Efficient and Energy compliant

PCV150E SPECIFICATION

Part Code	PCV12150E	PCV24150E
Voltage	100V ~ 240VAC	100V ~ 240VAC
Frequency	47 ~ 63 Hz	47 ~ 63 Hz
Power Factor	0.95	0.95
Voltage	12V	24V
Current Range	0 ~ 12.5A	0 ~ 6.3A
Power	150W	150W
R&N	1000mV	800mV
Efficiency	91%	93%
Over Load	Auto recovery	
Over Temperature	Thermal	
Temperature	Operating: -20 ~ +50°C; Storage: -20 ~ +70°C	
Safety Standard	Designed to meet EN61347-1, EN61347-2-13	
EMI Standard	Meets Emissions to EN55015, EN61547, EN61000-3-2, EN61000-3-3	
Lifetime	50K hours full load 25°C	
Connections (input)	300mm UL SVT 3C 18AWG	300mm UL SVT 3C 18AWG
Connections (output)	300mm UL 2517 2C 14AWG	300mm UL 2517 2C 14AWG
Weight	1000g	1000g
Dimensions	191 x 70 x 40mm	191 x 70 x 40mm



Mechanical



PowerLed (UK) Ltd
Orion House
Calleva Park
Aldermaston
Berkshire
RG7 8SN

Contact:
Tel: 0118 9703856
enquiries@powerled.uk.com
www.powerled.uk.com

