

# EXTERNAL DESKTOP POWER SUPPLY

## 24VDC 40WATT



### STONTRONICS: T5893ST



#### Features:

- Universal Input
- IEC-320-C14 Input Connector
- 3 Year Warranty
- Efficiency Level VI
- Safety approved to: UL,CUL,FCC,GS,CE,RCM

#### Description:

The Stontronics Range of 40 Watt AC/DC switch mode power supplies provide 40 Watts of continuous output power in a high quality compact enclosure suitable for many general power applications.

Specification	
Part Number	T5893ST
Input Voltage Range	90 → 264 Vac
Input Frequency Range	47 → 63Hz
Input Connector	IEC 320-C14
Input Current Rated	1000mA Rms Max
Inrush Current	NO DAMAGE
	<3.5mA
Efficiency	≥87.61%
Input Power (Output: No Load)	<0.1W (CEC & DOE LEVEL VI Compliant)
Output Voltage Rating	24 V dc
Output Current Range	1.7A
Output Min Current	0A
Output Connection Type	2.1 x 5.5 x 12 mm Centre Positive – Straight
Line and Load Regulation	+/-5%
Over Voltage Protection	≤32V
Over Load Protection	≤2.8A output load
Short Circuit Protection	Output shut down auto recover
Ripple Voltage	200mV (p-p)
Hi-Pot	1500Vac or 2121VDC 10mA 1 min
Safety Approved	UL,CUL,GS,RCM
EMI Standard	FCC PART15 CLASS B,EN55022 CLASS B,VCCI CLASS II
Operating Temperature Range	0°C → +40 °C
Storage Temperature	-10°C → +70°C
Operating Humidity	20% to 80%
Storage Humidity	10% to 90%
Dimensions	111(L) x 52(W) x 32.3(H) mm
Product Weight	210g
Regulator Type	Switched Mode Power Supply

#### General Note

TT Electronics reserves the right to make changes in product specification without notice or liability. All information is subject to TT Electronics' own data and is considered accurate at time of going to print.

#### STONTRONICS

TT Electronics IoT Solutions Ltd  
Tofts Farm East, Brenda Road, Hartlepool, TS25 2BQ, UK  
t: +44 (0) 1429 852 500

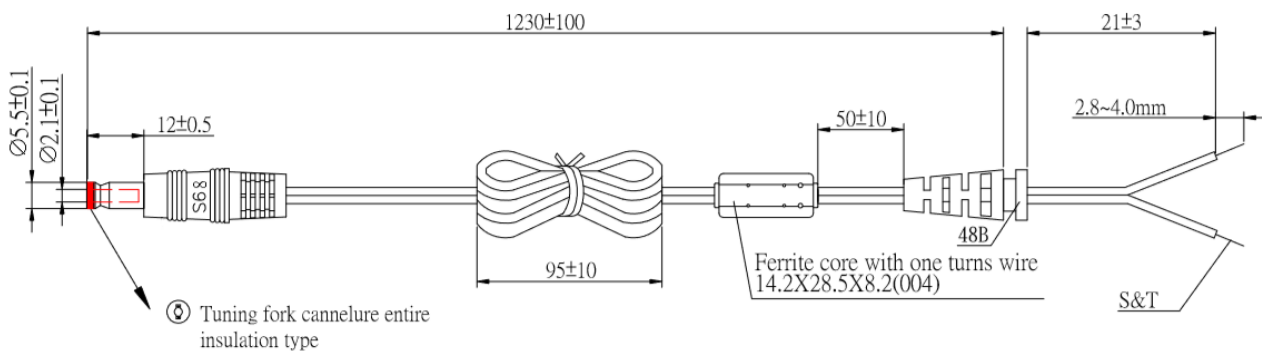
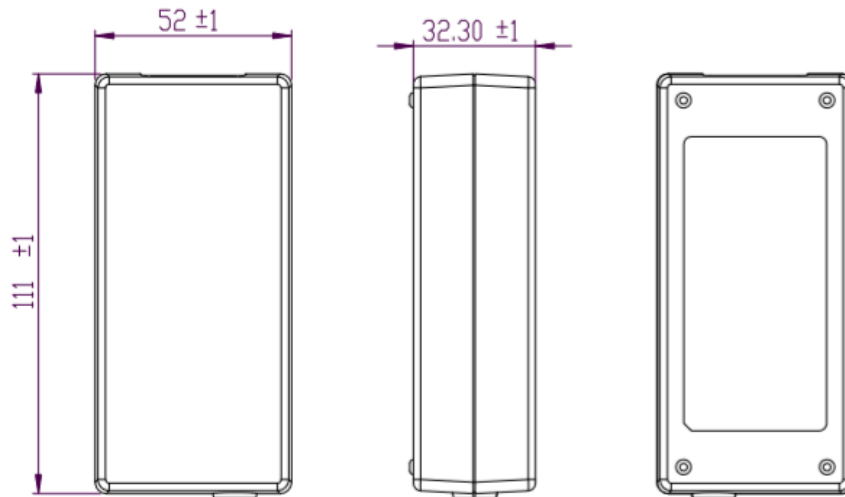
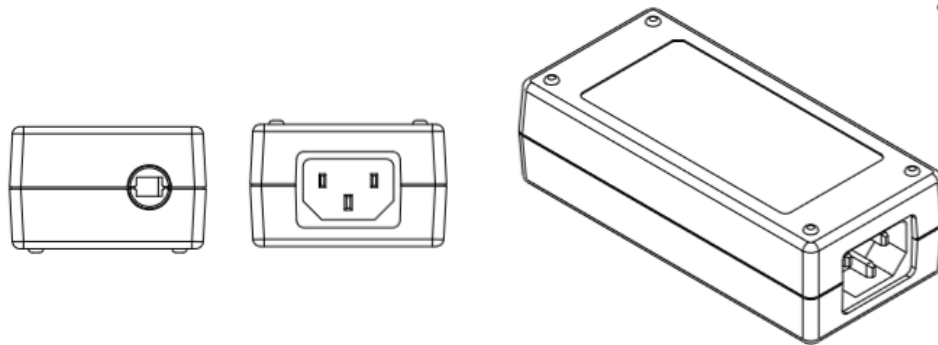
# EXTERNAL DESKTOP POWER SUPPLY

## 24VDC 40WATT

### STONTRONICS: T5893ST



### Diagrams



General Note  
 TT Electronics reserves the right to make changes in product specification without notice or liability. All information is subject to TT Electronics' own data and is considered accurate at time of going to print.