



Application Tooling > Spare & Wear Tooling



Applicator & Product Style: **Standard**

Features

Other

Applicator & Product Style	Standard
----------------------------	----------

Product Compliance

[For compliance documentation, visit the product page on TE.com>](#)

EU RoHS Directive 2011/65/EU	Compliant
EU ELV Directive 2000/53/EC	Out of Scope
China RoHS 2 Directive MIIT Order No 32, 2016	No Restricted Materials Above Threshold
EU REACH Regulation (EC) No. 1907/2006	Current ECHA Candidate List: JAN 2021 (211) Candidate List Declared Against: JAN 2021 (211) Does not contain REACH SVHC
Halogen Content	Low Halogen - Br, Cl, F, I < 900 ppm per homogenous material. Also BFR/CFR/PVC Free
Solder Process Capability	Not applicable for solder process capability

Product Compliance Disclaimer

This information is provided based on reasonable inquiry of our suppliers and represents our current actual knowledge based on the information they provided. This information is subject to change. The part numbers that TE has identified as EU RoHS compliant have a maximum concentration of 0.1% by weight in homogenous materials for lead, hexavalent chromium, mercury, PBB, PBDE, DBP, BBP, DEHP, DIBP, and 0.01% for cadmium, or qualify for an exemption to these limits as defined in the Annexes of Directive 2011/65/EU (RoHS2). Finished electrical and electronic equipment products will be CE marked as required by Directive 2011/65/EU. Components may not be CE marked. Additionally, the part numbers that TE has identified as EU ELV compliant have a maximum concentration of 0.1% by weight in homogenous materials for lead, hexavalent chromium, and mercury, and 0.01% for cadmium, or qualify for an exemption to these limits as defined in the Annexes of Directive 2000/53/EC (ELV). Regarding the REACH Regulation, the information TE provides on SVHC in articles for this part number is based on the latest European Chemicals Agency (ECHA) 'Guidance on requirements for substances in articles' posted at this URL: <https://echa.europa.eu/guidance-documents/guidance-on-reach>

Compatible Parts



TE Part # 1385580-1
HINGEBAR EMPO200TABLOCK2100



TE Part # 1-687395-8
HINGE BAR 9EAPR160T1800 G



TE Part # 1852633-1
EAPRHB160TABLOCK1800 LM/G-HINGE BAR



TE Part # 1852895-1
HDM EMPO K-HINGE BAR



TE Part # 1855041-1
HINDGE BAR F.A. EMPO160TAB1800 LM & G



TE Part # 1855468-1
HDM/FA/HB EMPO160TABLOCK1800 LM & G



TE Part # 1855601-1
HDM/FA EAPRHB.160TABLOC.1800 G CUT



TE Part # 567303-1
APPL,HINGE BAR 9EMPO160T1800 T



TE Part # 680194-3
HDM*HB* 9EAPR160T1800 G



TE Part # 687395-8
HINGE BAR 9EAPR160T1800 G



TE Part # 687395-9
EF HINGE BAR 9EMPR160TL2100 T



KIT
REPRESENTATION ONLY

TE Part # 7-1855041-7
SPARE PART KIT



TE Part # 1852633-2
EAPRHB160TABLOCK1800 K - HINGE BAR



TE Part # 297530-2
MINI APLICADOR END FEED

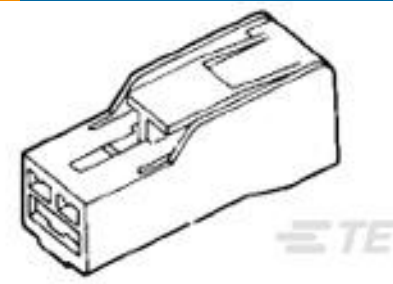


TE Part # 687395-1
END FEED HINGE BAR APPLICATOR

Customers Also Bought



TE Part #172076-6
POSITIVE LOCK 250 HOUSING RECEPTACLE



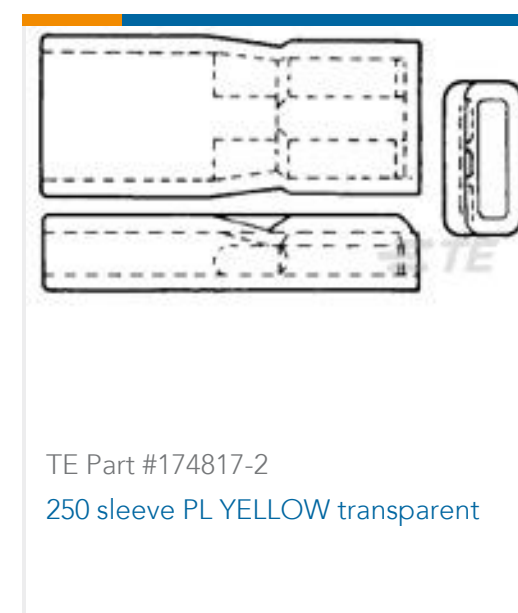
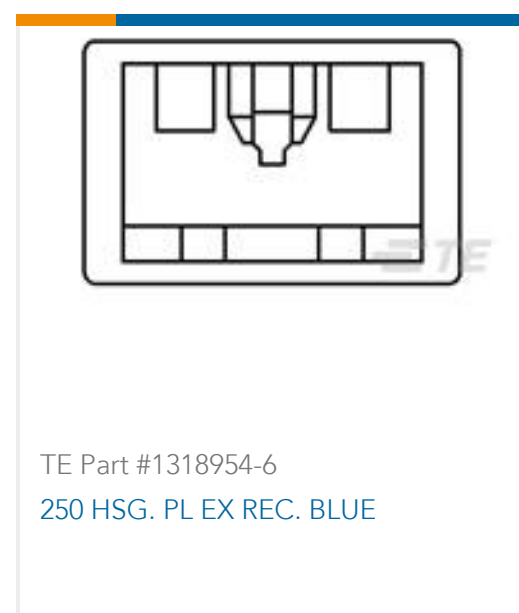
TE Part #172320-1
POSITIVE LOCK 250 (6.3 MM) HOUSING



TE Part #170213-1
250 FASTON,REC.,18-14 AWG,BR HOUSING



TE Part #1747047-1
Glow Wire GRACE INERTIA Plug



Documents

Datasheets & Catalog Pages

CRIMPING WHERE FORM MEETS FUNCTION

English

Instruction Sheets

Instruction Sheet (U.S.)

English