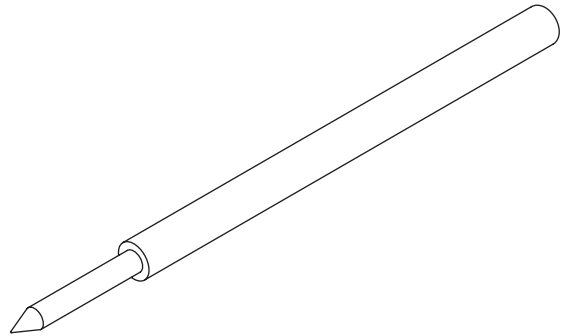




PSF-0,5-5

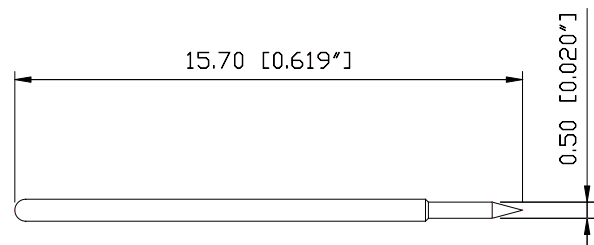
Set of five rigid tips 0.5 mm



High precision solid tips – durable and rugged – for reliable probing as well as for scratching solder points or piercing through the insulation of cables and wires.

Materials: turned stainless steel

Order-No. 890-005-013



PMK GmbH
Mess- und
Kommunikationstechnik
Industriestr. 17
63150 Heusenstamm
Germany

Phone: +49 (0) 6104 6453
Fax: +49 (0) 6104 6457
Internet: www.pmk.de
E-Mail: sales@pmk.de
service@pmk.de