

26W & 42W ENERGY SAVER FLOODLIGHTS

Cat No. EC042F - 42W

Cat No. EC026F - 26W



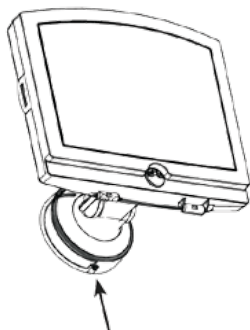
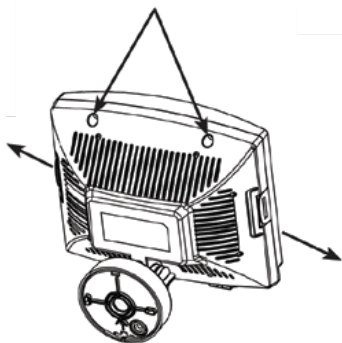
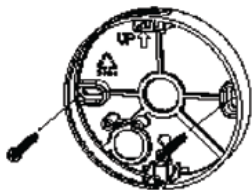
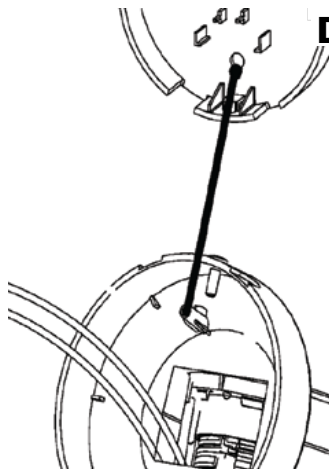
Instructions

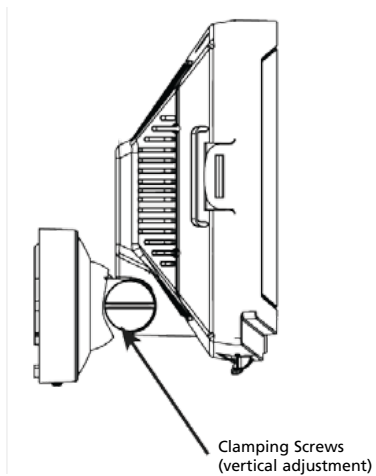
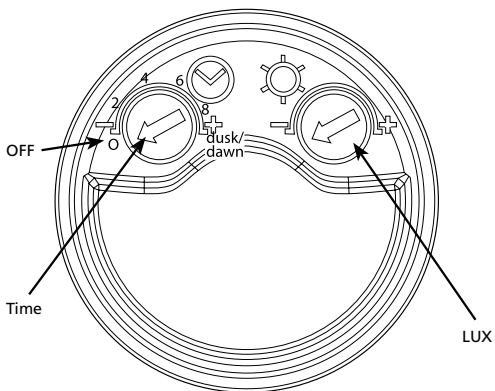


INSTRUCTIONS

Prote

SMIC

A**B****C****D**

E**F**

SECTION ONE

GENERAL INFORMATION

This floodlight features an integral daylight sensing photocell which will automatically switch the light on at dusk and off at dawn or at a time set by the user.

Unit is for outdoor use only. Unit must be mounted as a fixed luminaire, and is not suitable for portable use.

PARTS INCLUDED

- Low Energy Floodlight c/w Dusk/Dawn sensor.
- Instruction manual. Please keep safe for future reference.
- Accessory Pack including screws and wall plugs.
- 4 pin low energy lamp.

TOOLS & PARTS NEEDED

- 3 flexible core cable (1.0mm² or 1.5mm²).
- Electric/hand-held drill & bits.
- Terminal or Electricians screwdriver.
- Wire cutters.

Do not attempt to install during wet weather, if you are suffering from nausea or dizzy spells or on medication with similar side effects.

NO USER SERVICEABLE PARTS INSIDE.

SECTION TWO

INSTALLATION

***** IMPORTANT *****

Switch off the electricity at the fuse box by removing the relevant fuse or switching off the circuit breaker before proceeding with the installation.

After choosing a suitable location (see previous section) install the unit as follows:

The unit is suitable for connection to a 240 V ac 50Hz electricity supply. It is suggested that 3-core round flexible cable of 1mm² or 1.5mm² gauge is used. An internal switch should be installed to switch the power to the unit ON & OFF. This allows the unit to be easily switched off when not required or for maintenance purposes.

This unit uses an integral wall fixing plate, detach the wall fixing plate by unscrewing the fixing screw on the underside of the wall plate (diagram A).

The floodlight is located onto the wall plate by a lug which is inserted into the rectangular recess in the top of the wall plate. To remove wall plate from floodlight, slide out the bottom edge and lift upwards, the lug will lift out of the recess in the wall plate separate from the floodlight.

IT IS RECOMMENDED THAT THE LOW ENERGY BULB IS FITTED AND THE FRONT COVER IS SECURED BEFORE FITTING THE FLOODLIGHT TO THE WALL

To fit the bulb, release but do not remove the two screws on the rear of the floodlight (diagram B).

Release the clips shown on diagram B at either side of the housing, the floodlight front cover will open and rotate down but will not separate from the main floodlight body.

Remove the bulb from its packaging and fit into the lampholder. Ensure the bulb is fully secured into the lampholder and the support bracket is located around the bulb.

Close the front cover, ensure the clips are fully located (there will be an audible "click") and fully tighten the two securing screws on the rear of the unit.

Mark the position of the wall fixing holes. Ensure the wall plate is correctly positioned. Note the "UP" ident on the inside of the wall plate (diagram C).

Drill the holes, insert the wall plate into the holes.

PIERCE AND PASS THE CABLE THROUGH THE GROMMET BEFORE SECURING THE WALL PLATE TO THE WALL.

It is recommended that the grommet is pierced with a screwdriver to ensure a better seal.

Remove the cable clamp, feed the incoming cable under the cable clamp and secure. Do not overtighten the cable clamp as it could damage the cable insulation.

Fix the wall plate to the wall (diagram C).

The unit is supplied with a hanging attachment (tether) to aid installation.

If it is not required, simply remove from the unit and discard.

Ensure the tether is securely fixed into the slot before releasing the weight of the unit.

The unit can now be suspended below the wall bracket (fig D).

CONNECTION

Connect the cable to the terminal block on the unit as follows (see diagram E):

NEUTRAL (Blue) N

EARTH (Green/Yellow) 

LIVE (Brown) L

Ensure Connections are secure.

Ensure any extra cable and the tether is tucked into the space in the wiring box.

Fit the floodlight to the bracket by inserting the lug in the floodlight into the recess at the top of the wall plate and locating the floodlight securely over the wall plate.

Fit and fully secure the locating screw (diagram A).

This floodlight uses a universal joint, it can be directed to suit your installation by rotating the floodlight left to right and up or down. Secure in desired vertical position by use of the clamping screws on either side of the floodlight joint (see diagram E).

Installation is complete!

SECTION THREE

OPERATION AND TESTING

SETTING UP FOR AUTOMATIC OPERATION

The adjustment controls on the unit (diagram F) should be set as follows.

The **TIME** control determines how long the lamp remains illuminated after activation. There are 5 designated "time on" settings O (or off), 2, 4, 6, 8 hours and dusk/dawn.

These settings allow the lamp to illuminate for the designated time on period after darkness falls and the unit is activated.

If you require the lamp to be illuminated all night, set the time control fully clockwise to "Dusk/Dawn". The unit will then remain on until the following morning when the lux level increases enough to switch the unit off during the day.

The DUSK (LUX) control determines the level of darkness required for the unit to start operating.

The setting is best achieved by the procedure below:

Set the DUSK control knob fully anti-clockwise and the Time control to the required number of hours or dusk/dawn (do **not** leave in the O (off, fully anti-clockwise) position). Wait until darkness falls.

When the ambient light level reaches the level of darkness at which you wish the lamp to become operative (ie. At dusk), SLOWLY rotate the control in a clockwise direction until a point is reached where the lamp illuminates. Leave the control set at this point.

At this position, the unit should become operative at approximately the same level of darkness each evening. Observe the operation of the unit. If the unit is starting to operate too early (ie. when it is quite light), adjust the control slightly anti-clockwise. If the unit starts to operate too late (ie. only when it is very dark), adjust the control slightly clockwise. Continue to adjust until the unit operates as desired.

MANUAL OVERRIDE MODE

The light can be switched on for longer time periods by use of the **Manual Override Mode**. This can be activated at night by using the internal wall switch or circuit breaker supplying the unit.

Please note:- The unit **CANNOT** be operated in Manual Override Mode during daylight hours. If you want to test this function when installing the unit, this test must be carried out after dusk when the unit has become operational.

To activate Manual Override Mode:-

Switch the internal wall switch/circuit breaker once (off/on) within 1 second.

The unit will now illuminate continuously until dawn or until it is switched back into Auto Mode.

To de-activate Manual Override Mode (ie. switch the unit back into Auto Mode):-

Switch the internal wall switch/circuit breaker once (off/on) within one second. The unit will return to its Auto mode and will operate as set up during the walk test period.

To de-activate Manual Override Mode (ie. switch the unit back into Auto Mode):-

Switch the internal wall switch/circuit breaker once (off/on) within one second. The unit will return to its Auto mode and will operate as set up initially.

SECTION FOUR

TECHNICAL SPECIFICATIONS

Power Supply	240V AC ~ 50Hz
Lamp Type	ECO42F - 240V 42W 4 pin (GX24q-4) Low Energy lamp ECO26F - 240V 26W 4 pin (GX24q-3) Low Energy lamp
Time On	2, 4, 6, 8 hours from dusk or dusk/dawn
Lux Level Adjustment	Day & night or night only operation
Environmental Protection	IP44 (suitable for outdoor use)
EC Directives	Conforms to 73/23/EEC, 89/336/EEC

**If you experience problems refer to Troubleshooting Guide.
If problems still exist, do not immediately return the unit to store.**

Telephone the Timeguard Customer Helpline

020 8450 0515

Qualified Customer Support Co-ordinators will be on-line to assist in resolving your query.

NO USER SERVICEABLE PARTS INSIDE

SECTION FIVE

TROUBLESHOOTING GUIDE

PROBLEM

- The floodlight will not operate at night.
- Unit activates during the daytime.

SOLUTION

The level of ambient light in the area may be too bright to allow operation at the current DUSK setting. During the hours of darkness, adjust the DUSK control slowly clockwise until the lamp illuminates. Refer to previous section for more details.

Adjust the lux setting anti-clockwise to lower the level of ambient light required for activation.



In the unlikely event of this product becoming faulty due to defective material or manufacture, within 1 year of the date of purchase, please return it to your supplier with proof of purchase and it will be replaced free of charge. In the second and third years or any difficulty in the first please contact our helpline on 020 8450 0515.

For assistance with the product please contact:-

HELPLINE

020-8450-0515

or email helpline@timeguard.com



For a product brochure please contact:

Timeguard Ltd.

Victory Park, 400 Edgware Road,
London NW2 6ND Tel: 020-8452-1112
or email csc@timeguard.com

A **thoben** Group company