

## INTRODUCTION

The Infresco has been designed specifically to work with Infra Red Heaters, with a rating of 3.5kW it will allow you to control a variety of heating and lighting solution.

The Infresco has a 1 to 10 step setting allowing you to find the optimum comfort setting in your specific area. With energy saving a major factor in the design brief, once the Infresco is switched on it will automatically manage the heating system. With a built in temperature sensor only allowing the unit to switch on when required and a PIR that detects a requirement for the heater to switch on only when needed. An optional remote control allows for the unit to be fitted out of the way so safety is paramount. The Infresco has a built in soft start function which will add up to an additional 30% life to your heater lamp.

## APPLICATIONS

Any application where high inrush current is an issue or control is required. Typical use is for Infra Red Heating lamps, Garden lighting

## FEATURES

Soft Start – up to 30% extended life of Lamp

Variable Control – Ability to find comfort level

Simple Installation – Ability to plug directly in 13A Plug with up to 3kW load

Energy Saving – Automated system. (Only heat when required)

Temperature Monitoring – If ambient temperature is above preset the Infresco unit remains switched off

## SAFETY FIRST

Please read these instructions before installing and operating this product.

### Installation

The ideal site for the PIR to be mounted is approximately 2.5 + Meters of the floor. Ceiling mounting is preferred but not essential

The PIR must not be mounted.

- Directly in line of the lamps output
- Highly reflective surfaces
- Radiators or other thermostatically controlled heaters
- Open door ways with people walking past

### Commissioning

**NOTE: On switch on the PIR takes 60 seconds to set before detection takes place**

**NOTE: The PIR continues to monitor the area and will reset to the set time every time it detects movement.**

Before testing ensure the wiring is correct. The temperature trip point has already been preset at the factory. The timer is preset to 5 minutes.

The expected detection area can now be "walked tested" using the diagram shown in mind. The area should be crossed in various directions to ensure coverage is as expected.

### Display Features

When display shows 't'

The Infresco is monitoring the ambient temperature and the ambient temperature remains above the trip level.

When display shows 'F'

The Infresco is set to full output

When the Decimal Point flashes

Transmitting from Remote hand set

When the Decimal Point is on

The Infresco is on standby.

### PIR Movement Sensor

Operating Voltage

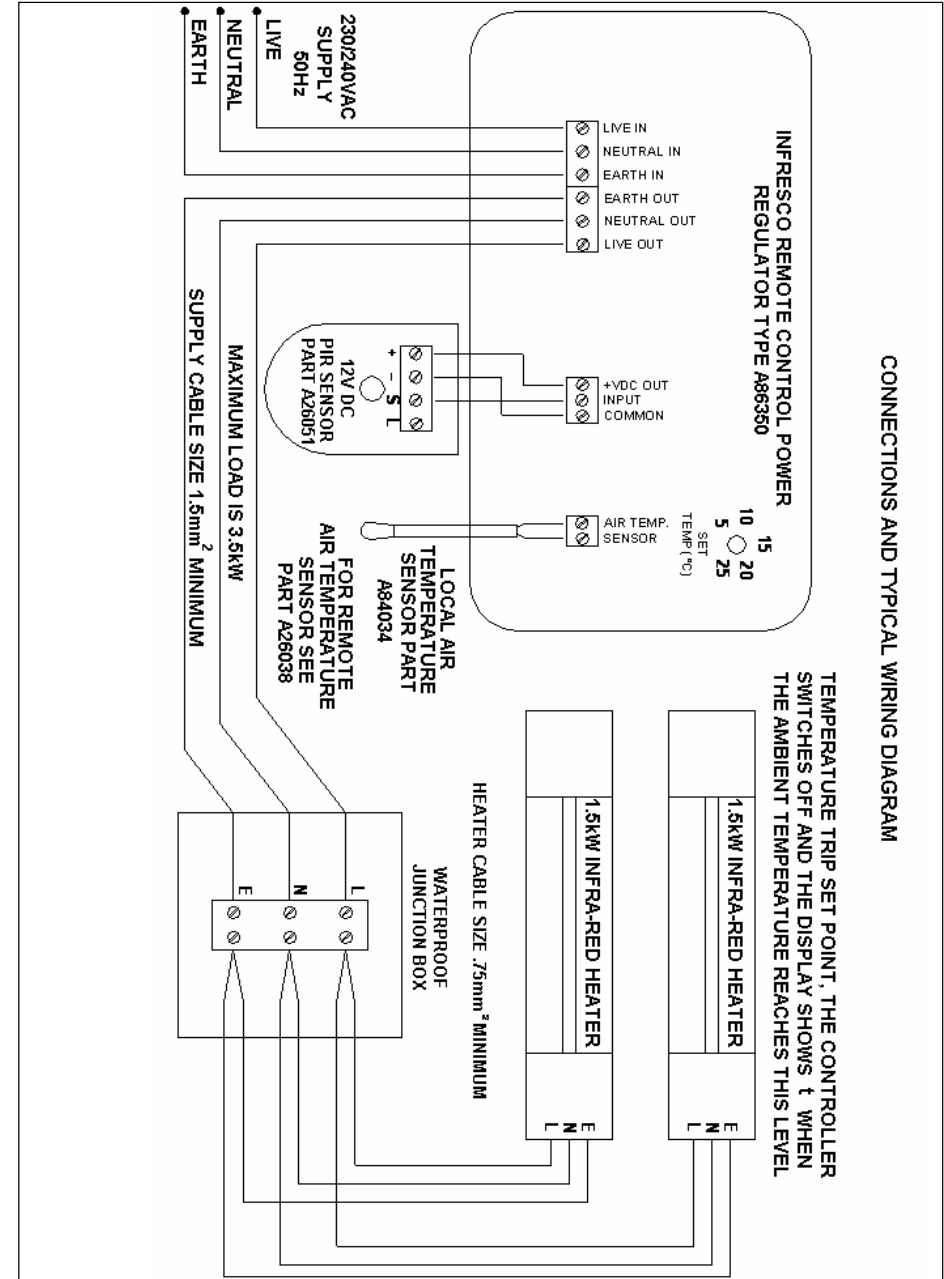
12V dc

Direction

90° Adjustable

Detection

18 Metres



## Specifications

### **Infresco Main Unit**

Mains Voltage	230Vac +/- 10% 50 Hz
Max load at 20°C ambient	3.5 kW
Power Consumption	50mA
PIR Set Time Period	5 Minutes
Temperature Set point	5°C to 25°C
Factory Set Temperature trip point	20°C
IP Rating	65
Gland Diameter	Max Cable Entry 2.5mm <sup>2</sup>
2 Lamp Installation	Must be fitted in Parallel
Operating Temperature	-20°C to 30°C
IP Rating	IP65
Max Unit Operating Temperature	65°C
Dimensions	W=200mm D=110mm H=60mm

### WARNING

It is recommended that installation and maintenance of this equipment should be done with reference to the current edition of the I.E.E. wiring regulations (BS7671) by suitably qualified/trained personnel.

These regulations contain important requirements regarding safety of electrical equipment (for International Standards refer to I.E.C/ directive IEC950).



## UNITED AUTOMATION LIMITED

1 Southport Business Park  
Kew  
Southport, PR8 4HQ  
ENGLAND

Tel: 0044 (0) 1704 – 516500 Main  
Tel: 0044 (0) 1704 - 516516 Sales  
Fax: 0044 (0) 1704 – 516501  
[Enquiry@united-automation.com](mailto:Enquiry@united-automation.com)

# INFRESCO



## Installation & Users' Manual



**RoHS Compliant  
Directive  
2002/95/EC**



X10702 Issue 1 10/08/07