

T1470162221-000 ✓ ACTIVE

HDC | HDC IP65

TE Internal #: T1470162221-000

TE Internal Description: H16B-SGRH-2PG21

[View on TE.com >](#)



Connectors > Rectangular Connectors > Rectangular Connector Hoods & Bases



Hood & Base Connector Product Type: **Base Housing**

Cable Entry Location: **Side**

Hood & Base Locking Device Type: **Locking**

Sealable: **Yes**

Circuit Application: **Power & Signal**

## Features

### Product Type Features

Product Size	6
Hood & Base Connector Product Type	Base Housing
Sealable	Yes

### Body Features

Material	Die Cast Aluminum
Cable Entry Location	Side

### Mechanical Attachment

Locking Device Location	Housing
Screw & Hole Thread Size	2PG21
Hood & Base Locking Device Type	Locking

### Dimensions

Width	57 mm
Length	117 mm

### Usage Conditions

Corrosion Protected	Yes
---------------------	-----

### Operation/Application

Circuit Application	Power & Signal
---------------------	----------------

### Packaging Features

Packaging Method

Box

## Product Compliance

[For compliance documentation, visit the product page on TE.com>](#)

EU RoHS Directive 2011/65/EU

Compliant

EU ELV Directive 2000/53/EC

Compliant

China RoHS 2 Directive MIIT Order No 32, 2016

No Restricted Materials Above Threshold

EU REACH Regulation (EC) No. 1907/2006

Current ECHA Candidate List: JAN 2021 (211)  
 Candidate List Declared Against: JAN 2021 (211)  
 Does not contain REACH SVHC

Halogen Content

Not Yet Reviewed for halogen content

Solder Process Capability

Not reviewed for solder process capability

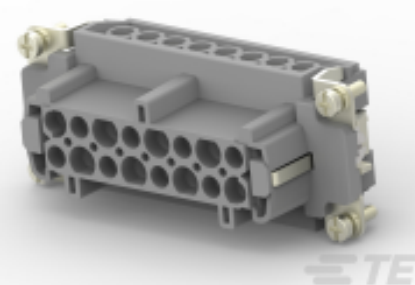
### Product Compliance Disclaimer

This information is provided based on reasonable inquiry of our suppliers and represents our current actual knowledge based on the information they provided. This information is subject to change. The part numbers that TE has identified as EU RoHS compliant have a maximum concentration of 0.1% by weight in homogenous materials for lead, hexavalent chromium, mercury, PBB, PBDE, DBP, BBP, DEHP, DIBP, and 0.01% for cadmium, or qualify for an exemption to these limits as defined in the Annexes of Directive 2011/65/EU (RoHS2). Finished electrical and electronic equipment products will be CE marked as required by Directive 2011/65/EU. Components may not be CE marked. Additionally, the part numbers that TE has identified as EU ELV compliant have a maximum concentration of 0.1% by weight in homogenous materials for lead, hexavalent chromium, and mercury, and 0.01% for cadmium, or qualify for an exemption to these limits as defined in the Annexes of Directive 2000/53/EC (ELV). Regarding the REACH Regulation, the information TE provides on SVHC in articles for this part number is based on the latest European Chemicals Agency (ECHA) 'Guidance on requirements for substances in articles' posted at this URL: <https://echa.europa.eu/guidance-documents/guidance-on-reach>

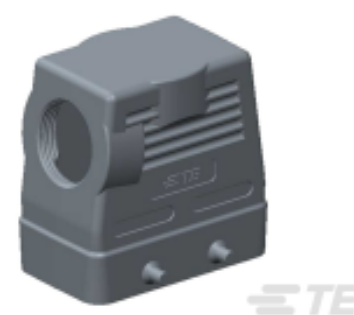
## Compatible Parts



TE Part # T1010162100-000  
H16B-KDBP



TE Part # T2040162201-000  
HE-016-F



TE Part # T1230160121-000  
H16B-TSH-PG21



TE Part # T3609210101-000  
DLX-21-MS

Also in the Series | [HDC IP65](#)



Rectangular Connector Hoods & Bases (1258)

### Customers Also Bought



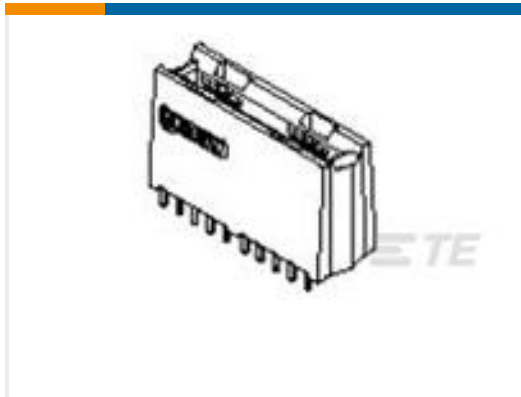
TE Part #T1240160216-000  
H16B-TGH-2PG16



TE Part #T3609130101-000  
DLX-13-MS



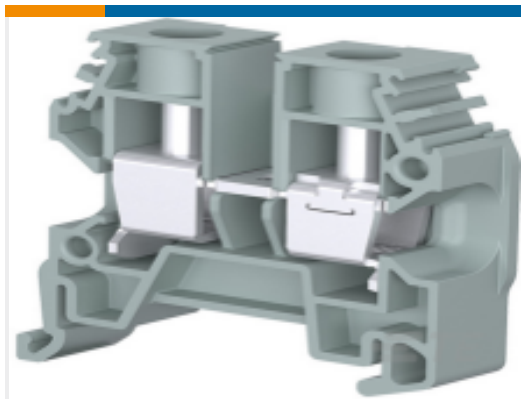
TE Part #2834078-2  
5.0MM TOP ENTRY MSC 3P\_GY



TE Part #6651170-1  
285-0102-12300=CONN,SKT,SLDR



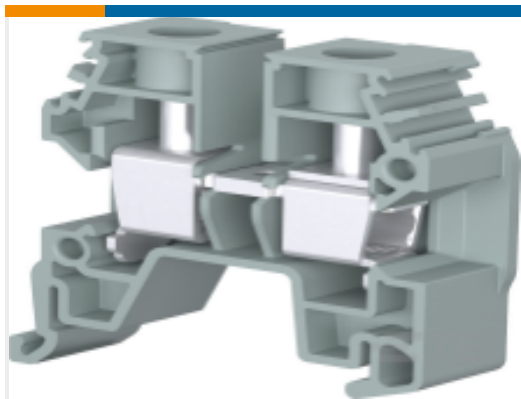
TE Part #1SNK710910R0000  
EK10



TE Part #1SNL510010R0000  
C10/10



TE Part #1SNL510150R0000  
C10/10.P



TE Part #1SNL512010R0000  
C16/12



TE Part #T1210161121-100  
H16B-TS-PG21



TE Part #T1650063221-000  
H6B-SGRH-2PG21

### Documents

#### Product Drawings

[H16B-SGRH-2PG21](#)

English

#### CAD Files

[3D PDF](#)

[3D](#)

[Customer View Model](#)

[ENG\\_CVM\\_CVM\\_T1470162221-000\\_A.2d\\_dxf.zip](#)



English

**Customer View Model**

[ENG\\_CVM\\_CVM\\_T1470162221-000\\_A.3d\\_igs.zip](#)

English

**Customer View Model**

[ENG\\_CVM\\_CVM\\_T1470162221-000\\_A.3d\\_stp.zip](#)

English

By downloading the CAD file I accept and agree to the [Terms and Conditions](#) of use.

---

## Datasheets & Catalog Pages

**HEAVY DUTY CONNECTORS**

English

---

## Product Specifications

**Application Specification**

English