

T1240240121-000 ✓ ACTIVE

HDC | HDC IP65

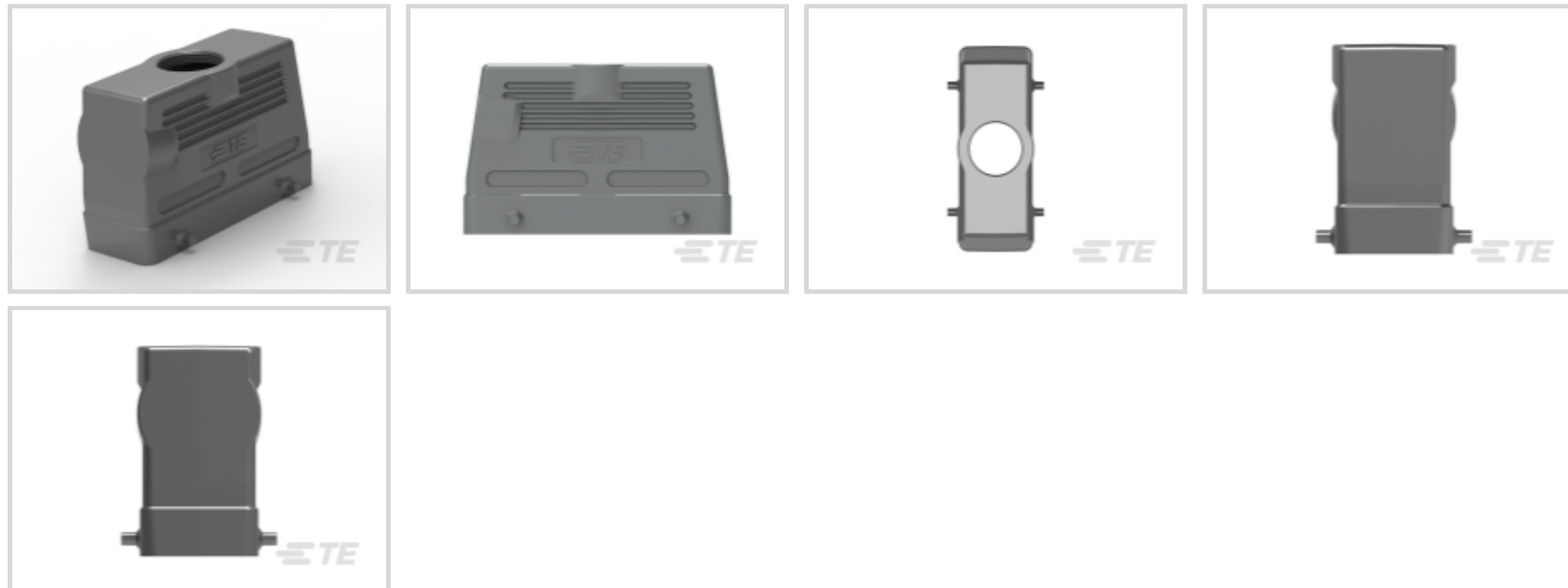
TE Internal #: T1240240121-000

TE Internal Description: H24B-TGH-PG21

[View on TE.com >](#)



Connectors > Rectangular Connectors > Rectangular Connector Hoods & Bases



Hood & Base Connector Product Type: **Hood**

Cable Entry Location: **Top & Side**

Hood & Base Locking Device Type: **Locking Clip**

Sealable: **Yes**

Circuit Application: **Power & Signal**

## Features

### Product Type Features

Product Size	8
Hood & Base Connector Product Type	Hood
Sealable	Yes

### Body Features

Material	Die Cast Aluminum
Cable Entry Location	Top & Side

### Mechanical Attachment

Screw & Hole Thread Size	PG21
Hood & Base Locking Device Type	Locking Clip

### Usage Conditions

Corrosion Protected	Yes
---------------------	-----

### Operation/Application

Circuit Application	Power & Signal
---------------------	----------------

## Product Compliance






[For compliance documentation, visit the product page on TE.com>](#)

EU RoHS Directive 2011/65/EU	Compliant
EU ELV Directive 2000/53/EC	Compliant
China RoHS 2 Directive MIIT Order No 32, 2016	No Restricted Materials Above Threshold
EU REACH Regulation (EC) No. 1907/2006	Current ECHA Candidate List: JAN 2021 (211) Candidate List Declared Against: JAN 2021 (211) Does not contain REACH SVHC
Halogen Content	Not Yet Reviewed for halogen content
Solder Process Capability	Not reviewed for solder process capability

#### Product Compliance Disclaimer

This information is provided based on reasonable inquiry of our suppliers and represents our current actual knowledge based on the information they provided. This information is subject to change. The part numbers that TE has identified as EU RoHS compliant have a maximum concentration of 0.1% by weight in homogenous materials for lead, hexavalent chromium, mercury, PBB, PBDE, DBP, BBP, DEHP, DIBP, and 0.01% for cadmium, or qualify for an exemption to these limits as defined in the Annexes of Directive 2011/65/EU (RoHS2). Finished electrical and electronic equipment products will be CE marked as required by Directive 2011/65/EU. Components may not be CE marked. Additionally, the part numbers that TE has identified as EU ELV compliant have a maximum concentration of 0.1% by weight in homogenous materials for lead, hexavalent chromium, and mercury, and 0.01% for cadmium, or qualify for an exemption to these limits as defined in the Annexes of Directive 2000/53/EC (ELV). Regarding the REACH Regulation, the information TE provides on SVHC in articles for this part number is based on the latest European Chemicals Agency (ECHA) 'Guidance on requirements for substances in articles' posted at this URL: <https://echa.europa.eu/guidance-documents/guidance-on-reach>

## Compatible Parts

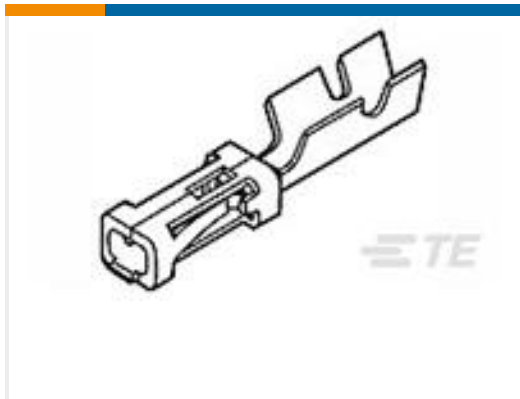
 <p>TE Part # T1010241200-000 H24B-KDTP</p>	 <p>TE Part # T1410242000-000 H24B-AG</p>	 <p>TE Part # T2040242101-000 HE-024-M</p>	 <p>TE Part # T1410240000-000 H24B-AG-SL</p>
 <p>TE Part # T1750241121-000 H24B-TBFHS-PG21</p>	 <p>TE Part # T1750242121-000 H24B-TBFH-PG21</p>	 <p>TE Part # T3609210101-000 DLX-21-MS</p>	

Also in the Series | [HDC IP65](#)



Rectangular Connector Hoods & Bases (1258)

### Customers Also Bought



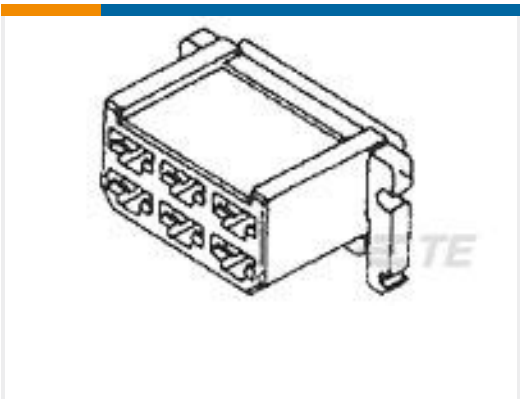
TE Part #167418-1  
MOD-4 REC.CONT.SCP.



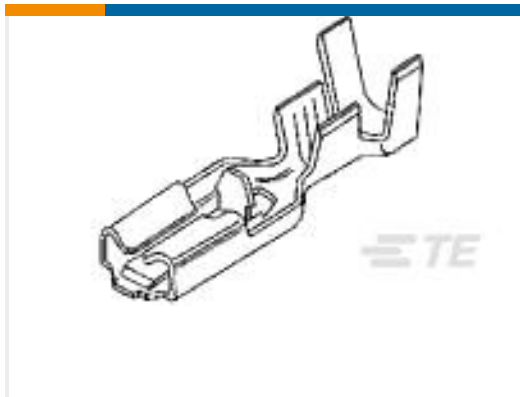
TE Part #183075-1  
CPC EMEA



TE Part #8-968975-2  
AMP MCP, UNSEALED CONNECTOR HOUSING



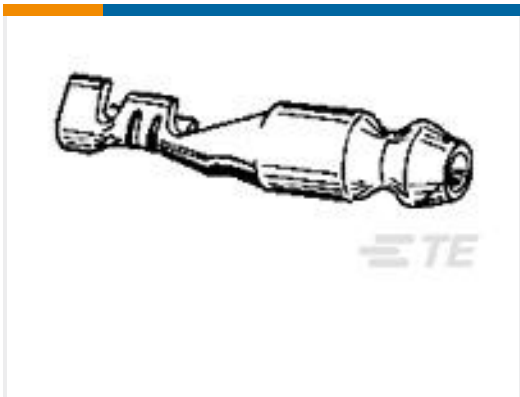
TE Part #163006  
6 WAY FASTIN-ON HOUSING REC NATURAL



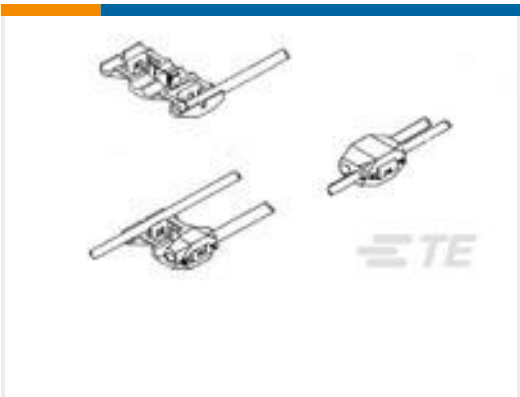
TE Part #63239-1  
POSITIVE LOCK 250 REC 12-10 AWG TPBR



TE Part #1-480706-0  
09P UMNL PLUG HSG NATL



TE Part #153209-2  
SHUR PLUG .18 DIA REC 18-16 AWG TPBR



TE Part #626439-1  
ELETRO TAP AMARELO



TE Part #T3209321222-001  
HSK-M32G



TE Part #4-1437292-3  
56038347 JTEC WIRE SEAL PLUG

### Documents

#### Product Drawings

[H24B-TGH-PG21](#)

English

#### CAD Files

[3D PDF](#)

[3D](#)

[Customer View Model](#)

[ENG\\_CVM\\_CVM\\_T1240240121-000\\_A.2d\\_dxf.zip](#)



English

**Customer View Model**

[ENG\\_CVM\\_CVM\\_T1240240121-000\\_A.3d\\_igs.zip](#)

English

**Customer View Model**

[ENG\\_CVM\\_CVM\\_T1240240121-000\\_A.3d\\_stp.zip](#)

English

By downloading the CAD file I accept and agree to the [Terms and Conditions](#) of use.

---

## Datasheets & Catalog Pages

**Heavy Duty Connectors**

English

**HEAVY DUTY CONNECTORS**

English

---

## Product Specifications

**Application Specification**

English