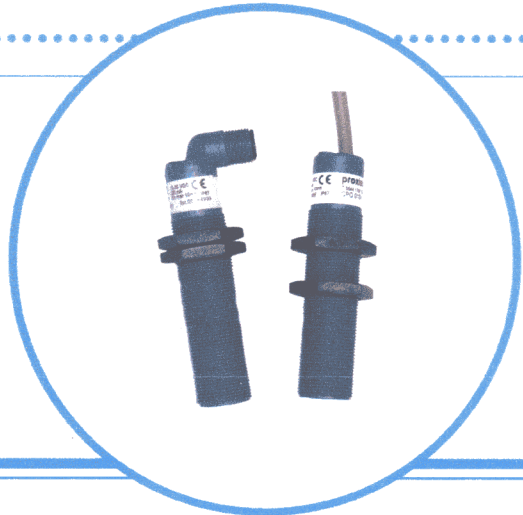


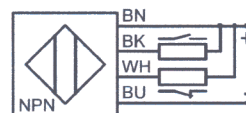
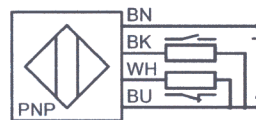
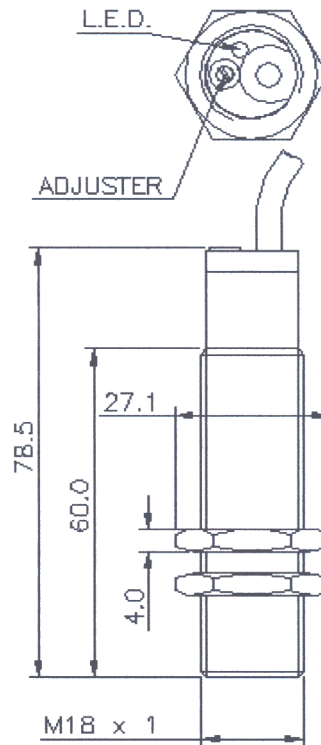
proxistor® Capacitive Sensors DC



- **4 Wire M18 Threaded**
- **2.1m PVC Lead**
- **N/O & N/C Complimentary**
- **ESD Protected**



Function	Part number
PNP (Complimentary)	CPU-010V-CSN
NPN (Complimentary)	CNU-010V-CSN
Mounting	Shielded / Flush
Rated operating distance Sn	mm 10 ± 10%
Repeatability	% ≤ 10
Function Indication	Yes
Ambient temperature range	°C -25 to +80
Pollution Degree	3
Time delay before availability	ms ≤ 300
Housing Size	mm M18
Housing material	PBT
Degree of protection	IP67
Connection	Cable
Cable type	2m 4w PVC Cable
Current type	DC
Wiring	4-Wire
Rated operational voltage	V 8 to 30 DC
Rated operational current	mA 350
Supply voltage	V 7 to 30 DC
Impulse voltage withstand	V 1kV 1.2/50µs
Ripple	% -
Rated supply frequency	Hz 25Hz
Minimum operational current	mA ≤ 0.1
No-load supply current	mA ≤ 10 / 10
Off-state current	µA ≤ 10
Voltage drop	V ≤ 2.5
Short circuit protection	Yes (Pulsed)
Reverse polarity protection	Yes



General Note

AB Electronic Limited reserves the right to make changes in product specification without notice or liability. All information is subject to AB's own data and is considered accurate at time of going to print.

