

Needle Valve

Selected Needle Valve :

7130340

Construction :

**Brass 58 - UNI 5705 (G $\frac{3}{4}$ model-steel)
Nickel plated**

Max. working pressure :

210 bar.

Operating temp. range :

-20°C to +100°C.

Fluid compatability :

Petroleum-based fluids, air and gases.

Size :

G $\frac{1}{2}$

Weight :

.45 Kg

Needle Valve crack pressure :

N/A

Panel mounting :

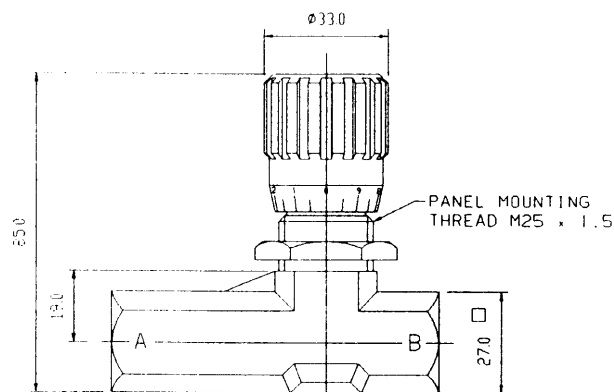
A retaining nut for panel mounting is included with every option.

Filtration recommendation :

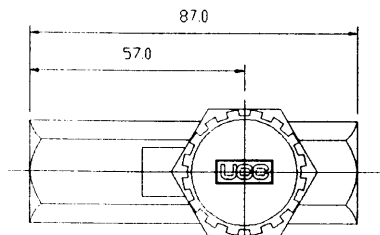
UCC 25 micron absolute system filtration is desirable to ensure acceptable reliability and service life.

Installation Details for Needle Valve

Drawing in first angle projection



UC.SCV.1702
UC.2002



Circuit Symbol