

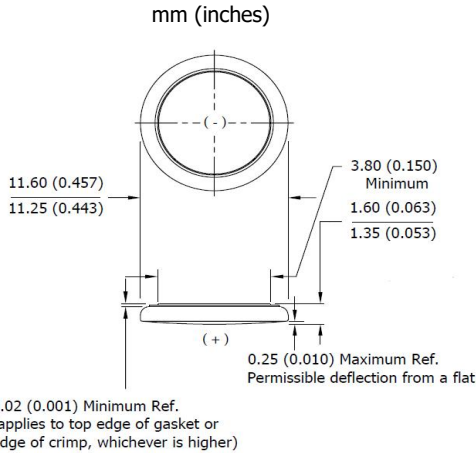
ENERGIZER 365

ZEROMERCURY®

SILVER OXIDE



Industry Standard Dimensions



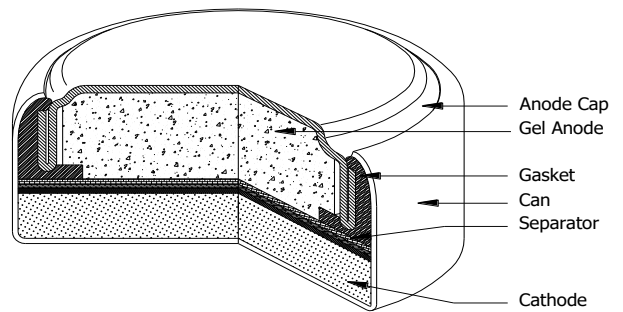
DESIGNED FOR USE ON CONTINUOUS LOW DRAIN
(HIGH PULSE ON DEMAND)

Specifications

Chemical System:	Silver Oxide (Zn/Ag ₂ O)
Nominal Voltage:	1.55 Volts
Typical Capacity:	30 mAh* (to 1.2 volts)
Capacity Test:	30K ohm continuous drain at 21°C
Typical Weight:	0.73 grams (0.023 oz.)
Typical Volume:	0.17 cubic centimeters (0.01 cubic inch)
Impedance (40 Hz):	5 to 15 ohms

* Varies according to the applied load, temperature, and cutoff voltage.

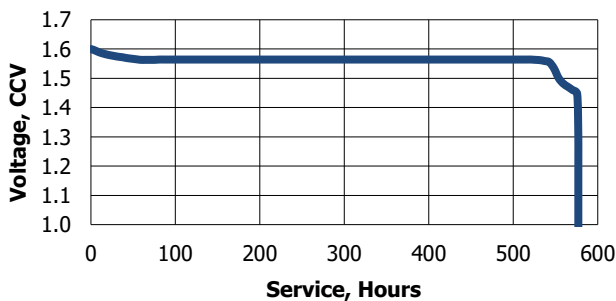
Cross Section



Typical Discharge Characteristics

Typical Performance at 21°C (70°F)

Schedule: Continuous
Typical Drain @1.55V:
0.052 milliamperes
Load: 30K ohm

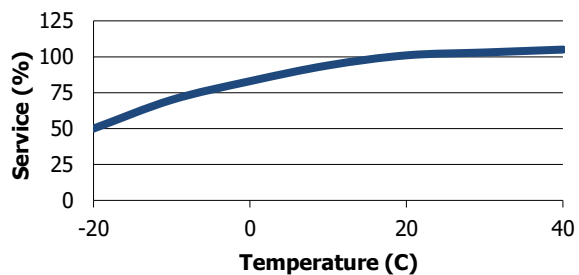


<u>Schedule</u>	<u>Typical Drains</u> at 1.55V (milliamperes)	<u>Load</u> (ohm)	<u>Cutoff</u> 1.2V (hours)
Continuous	0.052	30K	580

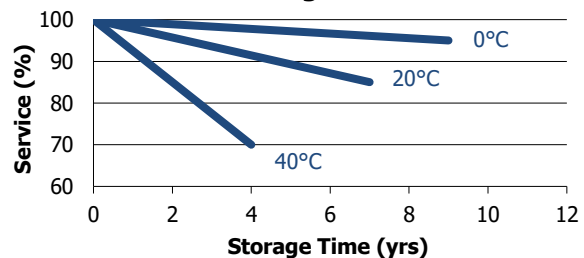
Temperature Characteristics

Typical Performance at Low Discharge Rates

Service Effects



Storage Effects



Important Notice

This datasheet contains typical information specific to products manufactured at the time of its publication.
Contents herein do not constitute a warranty and are for reference only.