



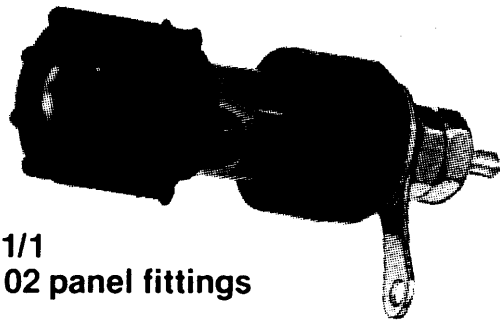
317 330 + 317342

# L1361/1

Pattern 3 terminal,  
panel sealed

**Qualification approved for  
Service's use and Panel sealed.  
Specification: DEF-5335**

This terminal has a 4 mm socket in the head and a large clamping gap with unique pyramid shaped teeth for piercing the wire insulant. This



L1361/1  
with 02 panel fittings

obviates the need for wire stripping and it will accommodate even a single 40 s.w.g. (0.122 mm) conductor without fracturing it. The head is captive.

**Current rating:** \_\_\_ 10 A

**Temperature**

**range:** \_\_\_\_\_ -25 °C to + 70 °C

**Materials:** \_\_\_\_\_ Head, polypropylene  
Stem, brass, nickel plated. Solder post tin-dipped

**Colour:** \_\_\_\_\_ Black

**Weight:** \_\_\_\_\_ 11,8 g average

**Leakage, when  
used with 02  
panel kit:** \_\_\_\_\_  $\leq 1$  cc/h @ 20 lbf/in<sup>2</sup>  
138 kPa

**Humidity:** \_\_\_\_\_ H1

**Wire size**

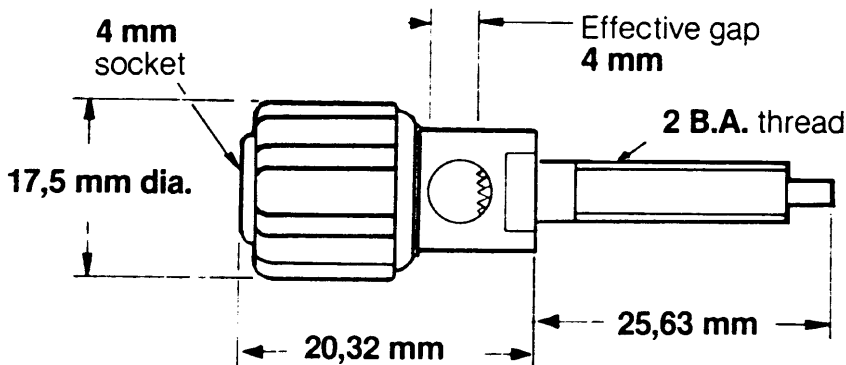
(maximum): \_\_\_ 4 mm diameter

**Ordering reference:**

**L1361/1**

**02 panel fittings**

(Terminals and fittings are supplied unassembled and must be ordered as individual items.)



## 02 panel fittings

**Comprises:** \_\_\_\_\_ 2 phenolic resin mouldings. 2 sealing rings. Metal washer solder tag. 2 locknuts

**Breakdown**

**voltage:** \_\_\_\_\_ >2 kVd.c.

**Insulation**

**resistance:** \_\_\_\_\_  $\geq 500$  megohms

**Panel thickness:** 5,6 mm maximum

**Temperature**

**range:** \_\_\_\_\_ -40 °C to + 70 °C

**Fixing torque:** \_\_\_ 1,41 Nm

**Clamping torque:** 1,13 Nm

