

3M™ D Sub EMI Junction Shell

Metalized Plastic



- Protection from EMI/ESD
- Easy assembly reduces time and labor to ensure low applied cost
- Light weight, compact design
- Strain relief compensates for multiple cable diameters
- Jackscrews provide positive retention
- RoHS* compliant

Date Modified: August 19, 2005

TS-0032-10
Sheet 1 of 2

Physical

Shell

Material: ABS

Plating: Nickel Over Copper

Compression Insert:

Material: Thermo Plastic Elastomer

Flammability: UL 94V-0

Durometer: 75 + / - 5

Hardware: (2) Jackscrews #4-40 × .438

(2) Saddle Washers

(2) Nuts 4-40 UNC for 9, 15 & 25 position

(3) Nuts 4-40 UNC for 37 position

(2) Screws 4-40 UNC for 9, 15 & 25 position

(3) Screws 4-40 UNC for the 37 position

Material: Steel

Plating: Zinc

Mounting Hardware: See Specification Sheet TS-0142

Environmental

Temperature Rating: 0°C to +75°C

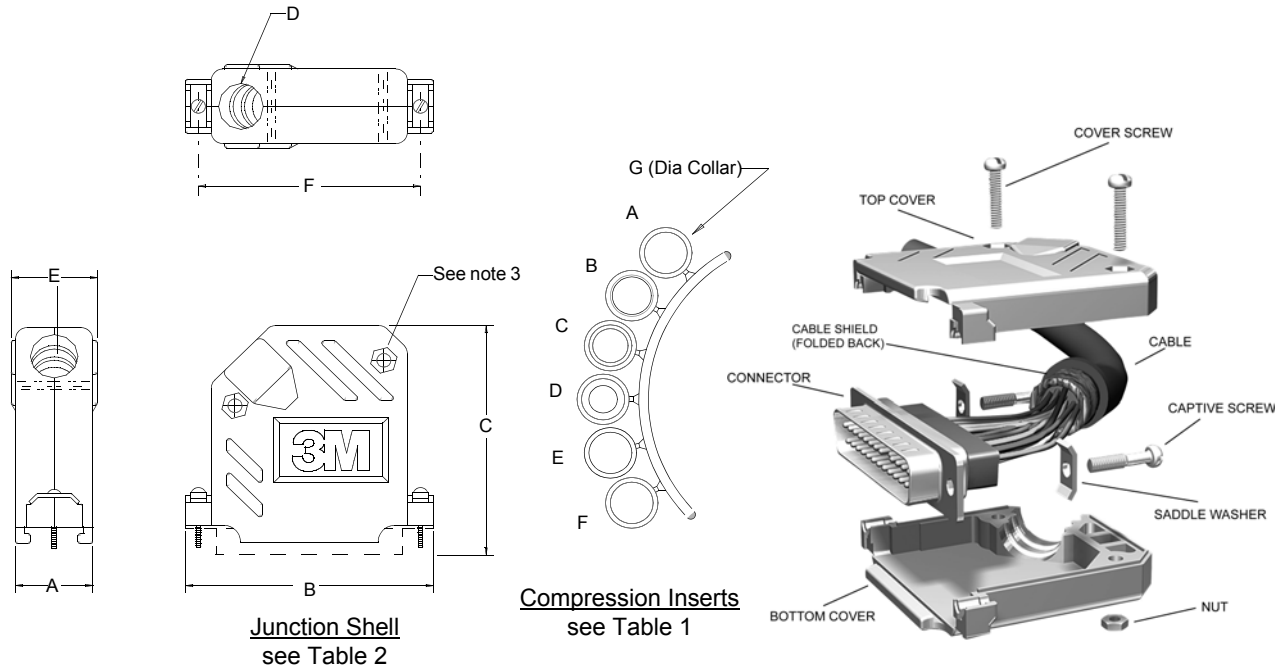
*RoHS = Directive 2002/95/EC, Restriction of the Use of Certain Hazardous Substances in Electrical and Electronic Equipment
"RoHS compliant" means that the product or part does not contain any of the following substances in excess of the following maximum concentration values in any homogeneous material, unless the substance is in an application that is exempt under RoHS: (a) 0.1% (by weight) for lead, mercury, hexavalent chromium, polybrominated biphenyls or polybrominated diphenyl ethers; or (b) 0.01% (by weight) for cadmium. Unless otherwise stated by 3M in writing, this information represents 3M's knowledge and belief based upon information provided by third party suppliers to 3M.

3M™ D Sub EMI Junction Shell

Metalized Plastic

Table 1 - Compression Inserts

Insert For	Dimensions												G
	1		2		3		4		5		6		
	OD	ID	OD	ID	OD	ID	OD	ID	OD	ID	OD	ID	
3357-6509	0.475 [12.07]	0.320 [8.13]	0.360 [9.14]	0.315 [8.00]	0.360 [9.14]	0.285 [7.24]	0.360 [9.14]	0.255 [6.48]	0.360 [9.14]	0.210 [5.33]	N/A	N/A	0.475 [12.07]
3357-6515													
3357-6525	0.600 [15.24]	0.450 [11.43]	0.450 [11.43]	0.410 [10.41]	0.450 [11.43]	0.370 [9.40]	0.450 [11.43]	0.300 [7.62]	0.450 [11.43]	0.230 [5.84]	N/A	N/A	0.600 [15.24]
3357-6537	0.810 [20.57]	0.650 [14.48]	0.700 [17.78]	0.620 [15.75]	0.655 [16.64]	0.570 [14.48]	0.655 [16.64]	0.500 [12.70]	0.655 [16.64]	0.425 [10.80]	0.655 [16.64]	0.350 [8.89]	0.810 [20.58]



Junction Shell
see Table 2

Compression Inserts
see Table 1

Table 2 - Junction Shell

3M Part Number	Dimensions						Cable O.D. Range	
	A	B	C	D	E	F	Min	Max
3357-6509	0.64 [16.3]	1.22 [31.2]	1.58 [40.13]	0.40 [10.2]	0.64 [16.3]	0.984 [24.99]	0.210 [5.33]	0.320 [8.13]
3357-6515		1.54 [39.1]	1.88 [47.75]			1.312 [33.32]		
3357-6525		2.09 [53.1]	1.71 [43.43]	0.52 [13.2]	0.71 [18.0]	1.857 [47.17]	0.23 [5.84]	0.45 [11.43]
3357-6537		2.73 [69.3]	2.12 [53.85]	0.73 [18.5]	0.91 [23.11]	2.500 [63.50]	0.35 [8.89]	0.65 [16.51]

Note:

1. Compression inserts cannot be ordered separately.
2. Use applicable Jack Screw or Jack Socket Kit mounting hardware.
3. The 37 position shell has 3 cover screw holes.

Inch [mm]			
Tolerance Unless Noted			
	.0	.00	.000
inch	±.1	±.01	±.005

[] Dimensions for Reference Only

Ordering Information

3357-65XX-XX

Connector Size
09 = 9 Position
15 = 15 Position
25 = 25 Position
37 = 37 Position

Blank = Non-RoHS compliant backshells
1C = RoHS compliant backshells

TS-0032-10
Sheet 2 of 2

Important Notice

All statements, technical information, and recommendations related to 3M's products are based on information believed to be reliable, but the accuracy or completeness is not guaranteed. Before using this product, you must evaluate it and determine if it is suitable for your intended application. You assume all risks and liability associated with such use. Any statements related to the product which are not contained in 3M's current publications, or any contrary statements contained on your purchase order shall have no force or effect unless expressly agreed upon, in writing, by an authorized officer of 3M.

3M

Electronics

6801 River Place Blvd.
Austin, TX 78726-9000
800/328-1368
www.3M.com/electronics

Warranty; Limited Remedy; Limited Liability.

This product will be free from defects in material and manufacture for a period of one (1) year from the time of purchase. **3M MAKES NO OTHER WARRANTIES INCLUDING, BUT NOT LIMITED TO, ANY IMPLIED WARRANTY OF MERCHANTABILITY OR FITNESS FOR A PARTICULAR PURPOSE.** If this product is defective within the warranty period stated above, your exclusive remedy shall be, at 3M's option, to replace or repair the 3M product or refund the purchase price of the 3M product. **Except where prohibited by law, 3M will not be liable for any indirect, special, incidental or consequential loss or damage arising from this 3M product, regardless of the legal theory asserted.**



*Minimum 10%
Post-Consumer Fiber*

Printed in USA.

© 3M 2005