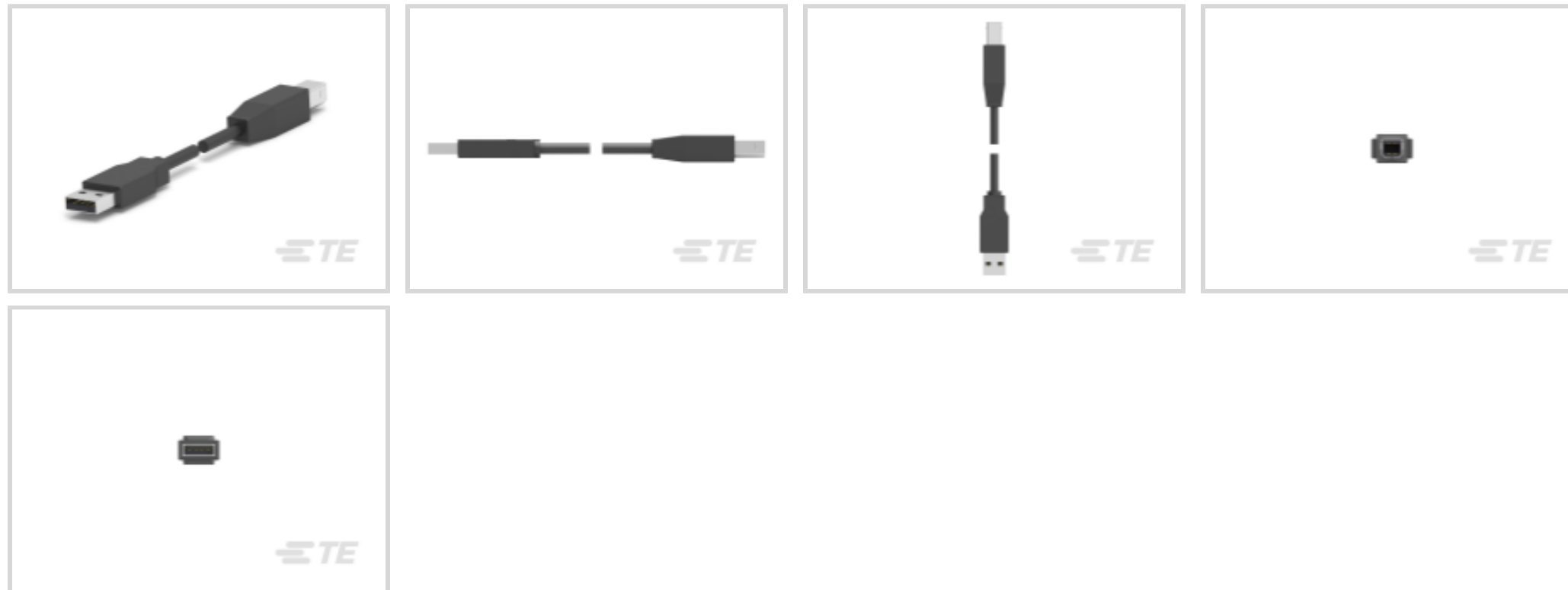




[View on TE.com >](#)

Cable Assemblies > Copper Cable Assemblies > Multimedia Cable Assemblies > USB Cable Assemblies



Assembly Type: **USB 4-Position Plug, Type A to Type B**

USB Cable Assembly Configuration: **Double-Ended**

USB Connector Type: **Standard**

Wire Size: **26 AWG, 28 AWG**

USB Cable Assembly Color: **Black**

## Features

### Product Type Features

Assembly Type	USB 4-Position Plug, Type A to Type B
USB Connector Type	Standard
Shielded	Yes
Connector Type (End A)	Plug
Connector Type (End B)	Plug

### Configuration Features

Number of USB Connectors	2
USB Cable Assembly Configuration	Double-Ended
Number of Positions	4

### Body Features

Ferrite Core	Without
Equalized	No
USB Cable Assembly Color	Black

### Dimensions

Wire Size	26 AWG, 28 AWG
-----------	----------------



## Product Compliance

[For compliance documentation, visit the product page on TE.com>](#)

EU RoHS Directive 2011/65/EU	Compliant
EU ELV Directive 2000/53/EC	Compliant
China RoHS 2 Directive MIIT Order No 32, 2016	No Restricted Materials Above Threshold
EU REACH Regulation (EC) No. 1907/2006	Current ECHA Candidate List: JAN 2021 (211) Candidate List Declared Against: JAN 2021 (211) Does not contain REACH SVHC
Halogen Content	Not Low Halogen - contains Br or Cl > 900 ppm.
Solder Process Capability	Not applicable for solder process capability

### Product Compliance Disclaimer

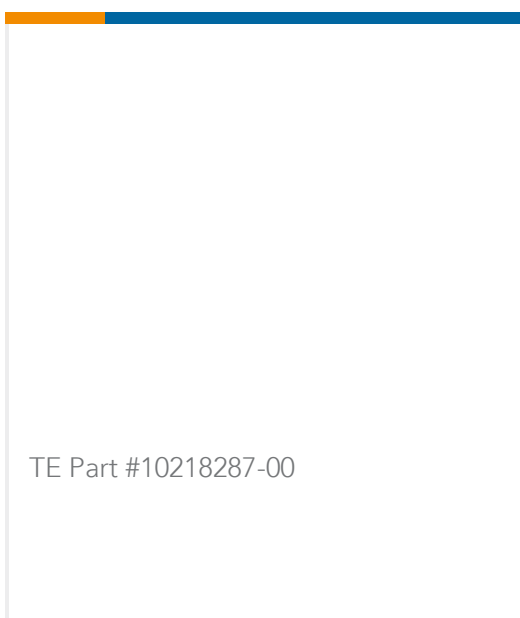
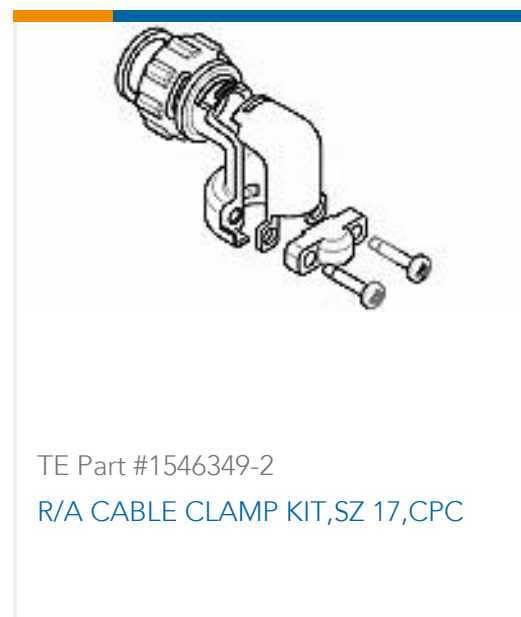
This information is provided based on reasonable inquiry of our suppliers and represents our current actual knowledge based on the information they provided. This information is subject to change. The part numbers that TE has identified as EU RoHS compliant have a maximum concentration of 0.1% by weight in homogenous materials for lead, hexavalent chromium, mercury, PBB, PBDE, DBP, BBP, DEHP, DIBP, and 0.01% for cadmium, or qualify for an exemption to these limits as defined in the Annexes of Directive 2011/65/EU (RoHS2). Finished electrical and electronic equipment products will be CE marked as required by Directive 2011/65/EU. Components may not be CE marked. Additionally, the part numbers that TE has identified as EU ELV compliant have a maximum concentration of 0.1% by weight in homogenous materials for lead, hexavalent chromium, and mercury, and 0.01% for cadmium, or qualify for an exemption to these limits as defined in the Annexes of Directive 2000/53/EC (ELV). Regarding the REACH Regulation, the information TE provides on SVHC in articles for this part number is based on the latest European Chemicals Agency (ECHA) 'Guidance on requirements for substances in articles' posted at this URL: <https://echa.europa.eu/guidance-documents/guidance-on-reach>

## Compatible Parts

 <p>TE Part # 1487595-3 USB, A-B, 28/26, BLACK, .83M</p>	 <p>TE Part # 1487595-2 USB, A-B, 28/26, BLACK, 1.3M</p>	 <p>TE Part # 1487587-1 USB, A-B, 28/26, WHITE, 1.0M</p>	 <p>TE Part # 1734366-1 Std USB Type A, VT, T/H</p>
---	---	---	--



### Customers Also Bought



### Documents



### Product Drawings

[USB, A-B, 28/26, BLACK, 1.0M](#)

English

---

### CAD Files

[3D PDF](#)

3D

Customer View Model

[ENG\\_CVM\\_CVM\\_1487595-1\\_M.2d\\_dxf.zip](#)

English

Customer View Model

[ENG\\_CVM\\_CVM\\_1487595-1\\_M.3d\\_igs.zip](#)

English

Customer View Model

[ENG\\_CVM\\_CVM\\_1487595-1\\_M.3d\\_stp.zip](#)

English

By downloading the CAD file I accept and agree to the [Terms and Conditions](#) of use.

---

### Product Environmental Compliance

[MD\\_1487595-1\\_0403201859\\_dmtec](#)

English

[MD\\_1487595-1\\_0403201859\\_dmtec](#)

English