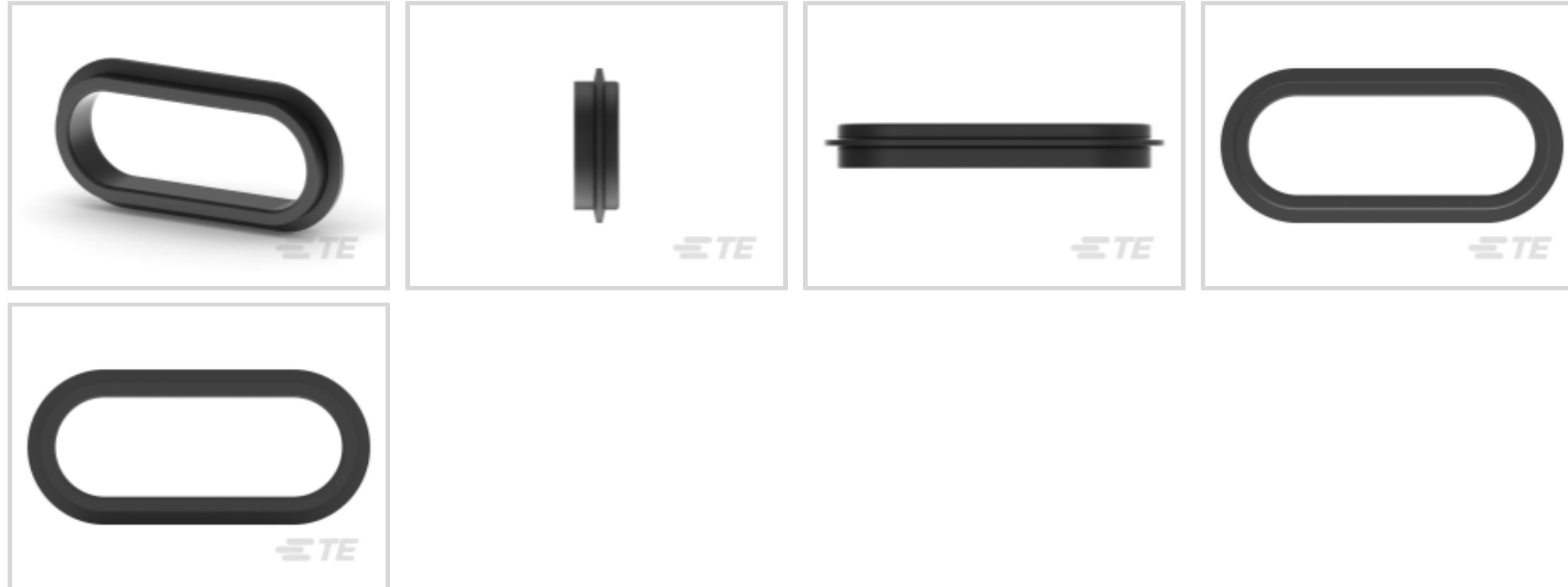




Connectors > Audio & Video Connectors > USB Connectors



Degree of Protection: IPX5, IPX8

Mating Cycles (Max): 10000

Circuit Application: Power & Signal

Operating Temperature Range: -30 – 85 °C [-22 – 185 °F]

Features

Usage Conditions

Mating Cycles (Max)	10000
Operating Temperature Range	-30 – 85 °C [-22 – 185 °F]

Operation/Application

Circuit Application	Power & Signal
---------------------	----------------

Industry Standards

Degree of Protection	IPX5, IPX8
----------------------	------------

Product Compliance

[For compliance documentation, visit the product page on TE.com>](#)

EU RoHS Directive 2011/65/EU	Compliant
EU ELV Directive 2000/53/EC	Compliant
China RoHS 2 Directive MIIT Order No 32, 2016	No Restricted Materials Above Threshold
EU REACH Regulation (EC) No. 1907/2006	Current ECHA Candidate List: JAN 2021 (211) Candidate List Declared Against: JAN 2021 (211) Does not contain REACH SVHC



Halogen Content Low Halogen - Br, Cl, F, I < 900 ppm per homogenous material. Also BFR/CFR/PVC Free

Solder Process Capability Reflow solder capable to 260°C

Product Compliance Disclaimer

This information is provided based on reasonable inquiry of our suppliers and represents our current actual knowledge based on the information they provided. This information is subject to change. The part numbers that TE has identified as EU RoHS compliant have a maximum concentration of 0.1% by weight in homogenous materials for lead, hexavalent chromium, mercury, PBB, PBDE, DBP, BBP, DEHP, DIBP, and 0.01% for cadmium, or qualify for an exemption to these limits as defined in the Annexes of Directive 2011/65/EU (RoHS2). Finished electrical and electronic equipment products will be CE marked as required by Directive 2011/65/EU. Components may not be CE marked. Additionally, the part numbers that TE has identified as EU ELV compliant have a maximum concentration of 0.1% by weight in homogenous materials for lead, hexavalent chromium, and mercury, and 0.01% for cadmium, or qualify for an exemption to these limits as defined in the Annexes of Directive 2000/53/EC (ELV). Regarding the REACH Regulation, the information TE provides on SVHC in articles for this part number is based on the latest European Chemicals Agency (ECHA) 'Guidance on requirements for substances in articles' posted at this URL: <https://echa.europa.eu/guidance-documents/guidance-on-reach>

Compatible Parts



TE Part # 2108877-1
MICRO USB, TYPE B, IP68

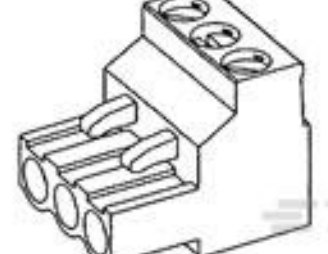
Customers Also Bought



TE Part #1241152-6
6P HV100 REC. CON, SMD, GOLD, BLISTER



TE Part #1419108-1
RT114012



TE Part #1-796634-2
12 POS 5.08MM R/A PLUG, TRM BLK



TE Part #1-796636-2
12POS 5.08MM CE VRT HDR, TRM BK



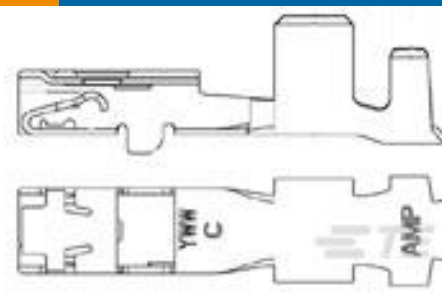
TE Part #1-2176090-0
RP 1J 0.166W 162K 0.1% 25PPM 1K RL



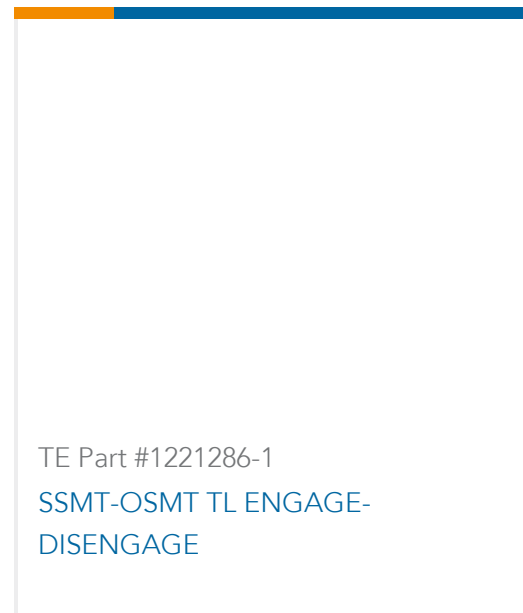
TE Part #DT15-2P
HDR, 2P, GRY, ST, NI/CU



TE Part #1318382-2
025 CAP HSG ASSY 16P



TE Part #1326030-3
2.8MM RECP, UNSEAL, 14-16AWG



Documents

Product Drawings

[PACKING WITH SEALING FOR WP 5POS STD/ON](#)

English

CAD Files

[3D PDF](#)

3D

[Customer View Model](#)

[ENG_CVM_CVM_2108883-1_A.2d_dxf.zip](#)

English

[Customer View Model](#)

[ENG_CVM_CVM_2108883-1_A.3d_igs.zip](#)

English

[Customer View Model](#)

[ENG_CVM_CVM_2108883-1_A.3d_stp.zip](#)

English

By downloading the CAD file I accept and agree to the [Terms and Conditions](#) of use.

Product Specifications

[Product Specification](#)

English

[Product Specification](#)

English

Product Environmental Compliance

[Product Compliance](#)

English

[Product Compliance](#)

English