

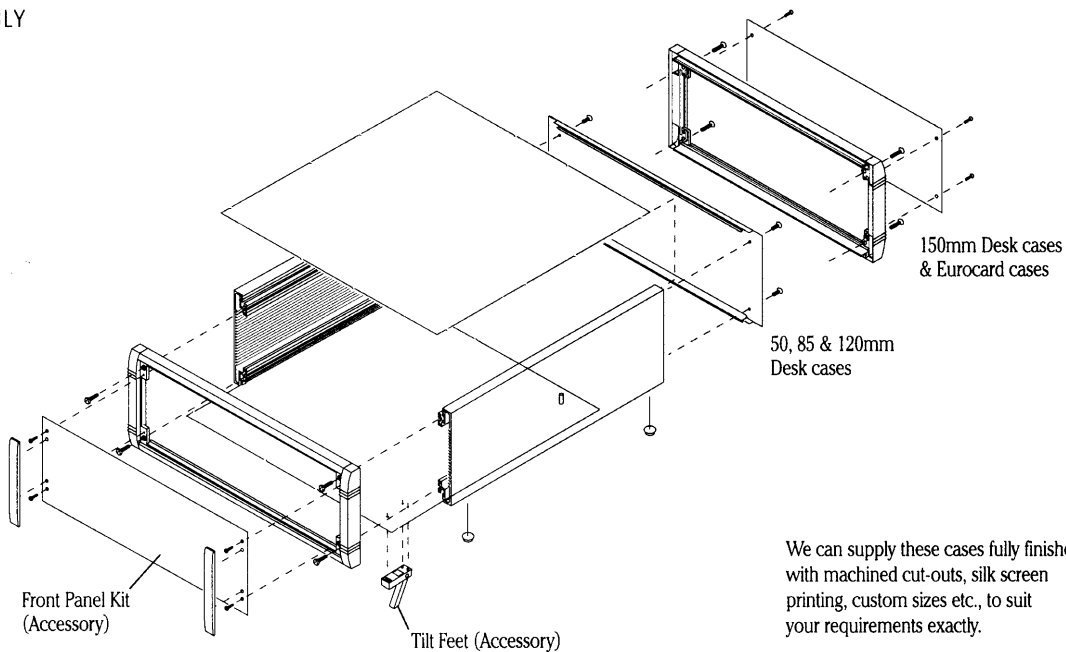
METTEC CASES

Stylish and very robust aluminium case system for instrumentation, control devices and computer peripherals.

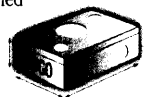
Mettec Desk and Eurocard cases are supplied ready assembled, in two colours: off-white RAL 9002 and anthracite RAL 7016. Eurocard cases accept single and double size cards from 100 x 160mm to 233.4 x 220mm. Desk cases have guide grooves for mounting custom size circuit boards and assemblies.

- **Stylish front bezel enhances the look of the equipment**
- **Integrated design with good EMC shielding (65dB at 60Mz)**
- **Strong tilt and swivel carry handle**
- **Recessed aluminium front panels for easy location of membranes**

CASE ASSEMBLY



We can supply these cases fully finished with machined cut-outs, silk screen printing, custom sizes etc., to suit your requirements exactly.



METTEC DESK CASES							Part No.			EUROCARD CASES				Part No.			
Outside dim. in mm.			Front panel size		Carry handle	anthracite	off-white	front panel kit	PCB size.	Outside dim. in mm.			Front panel size		anthracite	off-white	front panel kit
H	W	D	H ₁	W ₁						H	W	D	H ₁	W ₁			
50	160	130	33.6	129.5	No	M 57 16 004	M 57 16 007	M 57 00 601	100 x 160	50	152.5	220	33.6	122	M 57 14 054	M 57 14 057	M 57 00 622
50	200	130	33.6	169.5	No	M 57 20 004	M 57 20 007	M 57 00 604	100 x 220	50	152.5	280	33.6	122	M 57 15 054	M 57 15 057	M 57 00 622
50	230	180	33.6	199.5	No	M 57 23 004	M 57 23 007	M 57 00 607	233.4 x 160	50	286	220	33.6	255.5	M 57 27 054	M 57 27 057	M 57 00 623
50	250	250	33.6	219.5	No	M 57 25 004	M 57 25 007	M 57 00 612	233.4 x 220	50	286	280	33.6	255.5	M 57 28 054	M 57 28 057	M 57 00 623
50	350	250	33.6	319.5	No	M 57 35 004	M 57 35 007	M 57 00 617	ACCESSORIES								
85	230	180	65.1	199.5	No	M 57 23 104	M 57 23 107	M 57 00 608									
85	230	180	65.1	199.5	Yes	M 57 23 124	M 57 23 127	M 57 00 608	Desk cases	Black tilt feet kit (for one case)		A 92 57 209					
85	250	250	65.1	219.5	No	M 57 25 104	M 57 25 107	M 57 00 613	Desk cases	Off-white tilt feet kit (for one case)		A 92 57 207					
85	350	250	65.1	319.5	No	M 57 35 104	M 57 35 107	M 57 00 618	Eurocard cases	Front panel/Eurocard mounting kit		M 57 00 017					
120	230	180	100.1	199.5	No	M 57 23 204	M 57 23 207	M 57 00 610	Ordering: Desk cases 50, 85 & 120mm are supplied as: front bezel, 2 side extrusions, rear panel extrusion, top, base and 4 non-slip feet. Desk cases 150mm differ by having a rear bezel and flat rear panel, 4 side extrusions and 2 side panels. Order front panel kits separately.								
120	250	250	100.1	219.5	No	M 57 25 204	M 57 25 207	M 57 00 615									
120	250	250	100.1	219.5	Yes	M 57 25 224	M 57 25 227	M 57 00 615	Ordering: Single (100mm) Eurocard cases are supplied as: front bezel, case extrusion, rear bezel, flat rear panel and 4 non-slip feet. Double (233.4mm) Eurocard cases differ by having 2 side extrusions and a top and base, instead of the case extrusion. Order front panel kits separately.								
120	350	250	100.1	319.5	No	M 57 35 204	M 57 35 207	M 57 00 620									
150	250	263	130.1	219.5	No	M 57 25 314	M 57 25 317	M 57 00 616									
150	350	263	130.1	319.5	No	M 57 35 314	M 57 35 317	M 57 00 621									

A free full colour catalogue is available on request, please fill in your details on the reverse.