

Splash Proof Fan

140×140mm

SAN ACE 140W



General specifications

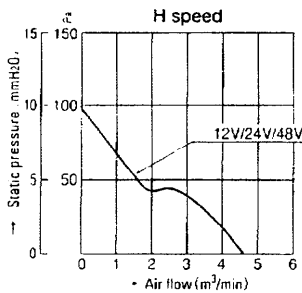
IPX5 (Splash proof) IEC

- Life expectancy 100,000 hours, indoor environment
(survival rate: 90% at 60°C, rated voltage, and continuously run in a free air state)
- Motor protection system Current cut system (with reverse-connection protection)
- Dielectric strength 50/60 Hz, 500 VAC, 1 minute
(between lead conductor and frame)
- Operating voltage range -10°C to +60°C (non-condensing)
- Fan power lead H speed, (+) red, (-) black
M speed, (+) red, (-) blue

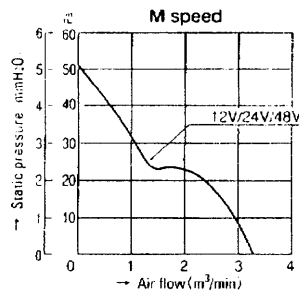
38mm thick Specifications

Model No.	Rated voltage (V)	Operating voltage range (V)	Rated current (A)	Rated input (W)	Rated rotating speed (min ⁻¹)	Air flow (m ³ /min)	Static pressure (Pa [mmH ₂ O])	Noise (dB [A])	Mass (g)
109W1412H101	12	10.2~13.8	0.73	8.76	2,600	4.5	98(10)	46	650
109W1412M101			0.3	3.6	1,900	3.3	52(5.3)	38	
109W1412H102			0.73	8.76	2,600	4.5	98(10)	46	
109W1412M102			0.3	3.6	1,900	3.3	52(5.3)	38	
109W1424H101	24	20.4~27.6	0.37	8.88	2,600	4.5	98(10)	46	650
109W1424M101			0.16	3.84	1,900	3.3	52(5.3)	38	
109W1424H102			0.37	8.88	2,600	4.5	98(10)	46	
109W1424M102			0.16	3.84	1,900	3.3	52(5.3)	38	
109W1448H101	48	40.8~55.2	0.2	9.6	2,600	4.5	98(10)	46	650
109W1448M101			0.09	4.32	1,900	3.3	52(5.3)	38	
109W1448H102			0.2	9.6	2,600	4.5	98(10)	46	
109W1448M102			0.09	4.32	1,900	3.3	52(5.3)	38	

Typical air flow and static pressure characteristics



109W1412H101
109W1412M102
109W1424H101
109W1424M102
109W1448H101
109W1448M102

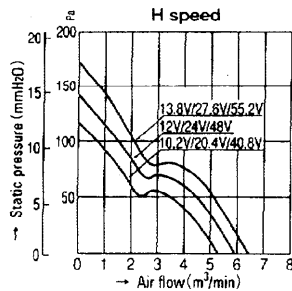


109W1412M101
109W1412M102
109W1424M101
109W1424M102
109W1448M101
109W1448M102

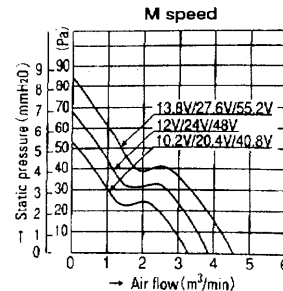
51mm thick Specifications

Model No.	Rated voltage (V)	Operating voltage range (V)	Rated current (A)	Rated input (W)	Rated rotating speed (min ⁻¹)	Air flow (m ³ /min)	Static pressure (Pa [mmH ₂ O])	Noise (dB [A])	Mass (g)
109W1412H502	12	10.2~13.8	1.4	16.8	3,200	5.9	142.1(14.5)	52	840
109W1412M502			0.46	5.52	2,100	3.9	68.6(7)	41	
109W1424H502	24	20.4~27.6	0.6	14.4	3,200	5.9	142.1(14.5)	52	
109W1424M502			0.21	5.04	2,100	3.9	68.6(7)	41	
109W1448H502	48	40.8~55.2	0.29	13.9	3,200	5.9	142.1(14.5)	52	
109W1448M502			0.12	5.76	2,100	3.9	68.6(7)	41	

Typical air flow and static pressure characteristics



109W1412H502
109W1424H502
109W1448H502



109W1412M502
109W1424M502
109W1448M502

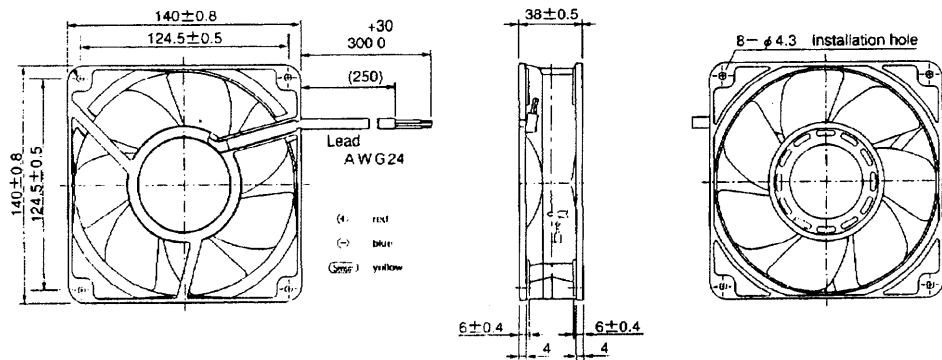
178 III

Specification Update: 140W

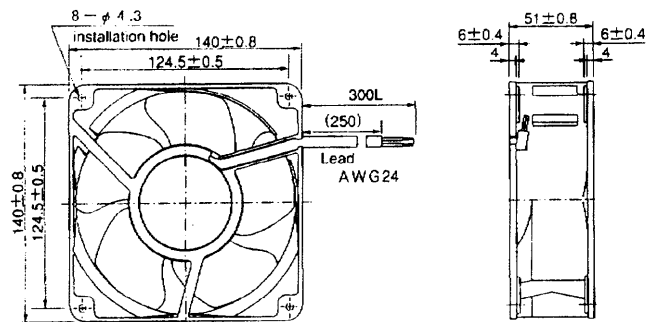
General Specification: **IPX7**

TUV Certificate: 9950223

Dimensions (unit : mm)



38mmthick



51mmthick

Reference dimensional diagram for installation holes (unit : mm)

