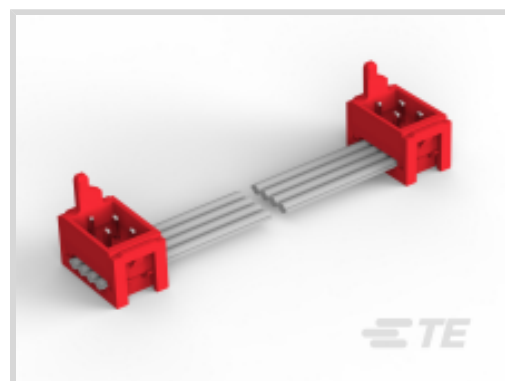




Cable Assemblies > Copper Cable Assemblies > Pluggable I/O Cable Assemblies



Pluggable I/O Cable Assembly Type: **MOW to MOW**

Keyed Position: 1

Equalized: **Yes**

Wire Size: **159.8 – 159.88 mm²**

Features

Product Type Features

Product Type	Cable Assembly
Product Designation	Patch Cord
Cable Assembly Category	Industry Standard
Pluggable I/O Cable Assembly Type	MOW to MOW
Pluggable I/O Cable Assembly Shielded	No
Pluggable I/O Cable Assembly Connector Type (End A)	Male-On-Wire
Pluggable I/O Cable Assembly Connector Type (End B)	Male-On-Wire
Pluggable I/O Cable Assembly Cable Style	Ribbon Cable

Configuration Features

Configuration	Double-Ended
Keyed Position	1
Number of Pluggable I/O Cable Assembly Positions	12
Number of Signal Positions	12
Pluggable I/O Cable Assembly Keyed	Yes

Body Features

Equalized	Yes
Pluggable I/O Cable Assembly Color	Gray

Dimensions



Wire Size	159.8 – 159.88 mm ²
-----------	--------------------------------

Operation/Application

Halogen Free	No
--------------	----

Industry Standards

IEEE 1394	No
Pluggable I/O Cable Assembly Flammability Rating	UL 2651

Other

CLOUDSPLITTER	No
Cable Assembly Length	.075 m [.246 ft]

Product Compliance

[For compliance documentation, visit the product page on TE.com>](#)

EU RoHS Directive 2011/65/EU	Compliant
EU ELV Directive 2000/53/EC	Compliant
China RoHS 2 Directive MIIT Order No 32, 2016	No Restricted Materials Above Threshold
EU REACH Regulation (EC) No. 1907/2006	Current ECHA Candidate List: JUL 2021 (219) Candidate List Declared Against: JUN 2020 (209) SVHC > Threshold: Not Yet Reviewed
Halogen Content	Not Low Halogen - contains Br or Cl > 900 ppm.
Solder Process Capability	Not reviewed for solder process capability

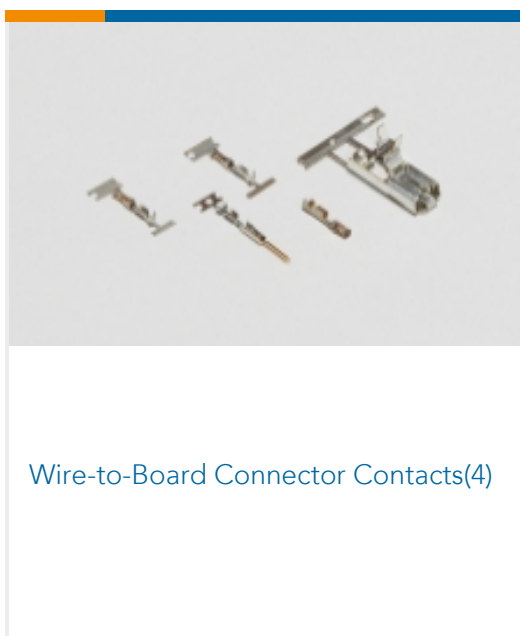
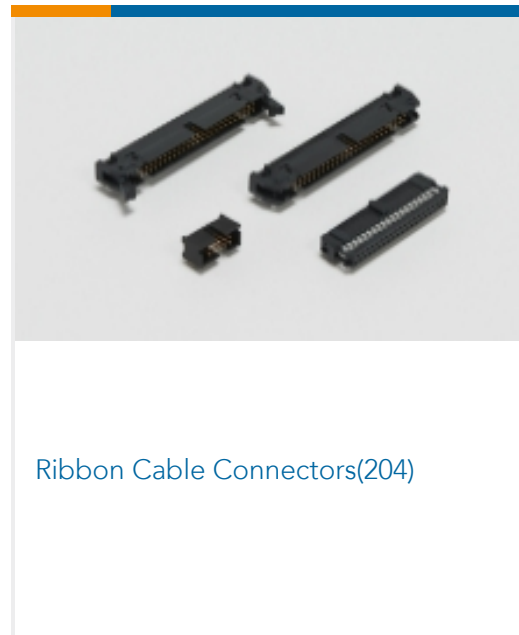
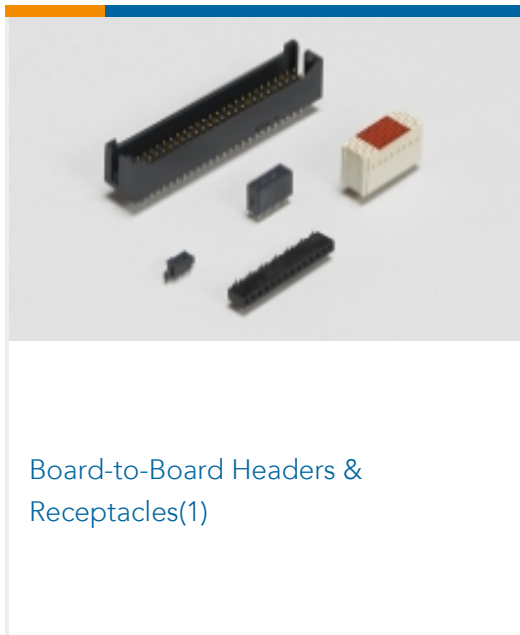
Product Compliance Disclaimer

This information is provided based on reasonable inquiry of our suppliers and represents our current actual knowledge based on the information they provided. This information is subject to change. The part numbers that TE has identified as EU RoHS compliant have a maximum concentration of 0.1% by weight in homogenous materials for lead, hexavalent chromium, mercury, PBB, PBDE, DBP, BBP, DEHP, DIBP, and 0.01% for cadmium, or qualify for an exemption to these limits as defined in the Annexes of Directive 2011/65/EU (RoHS2). Finished electrical and electronic equipment products will be CE marked as required by Directive 2011/65/EU. Components may not be CE marked. Additionally, the part numbers that TE has identified as EU ELV compliant have a maximum concentration of 0.1% by weight in homogenous materials for lead, hexavalent chromium, and mercury, and 0.01% for cadmium, or qualify for an exemption to these limits as defined in the Annexes of Directive 2000/53/EC (ELV). Regarding the REACH Regulation, the information TE provides on SVHC in articles for this part number is based on the latest European Chemicals Agency (ECHA) 'Guidance on requirements for substances in articles' posted at this URL: <https://echa.europa.eu/guidance-documents/guidance-on-reach>

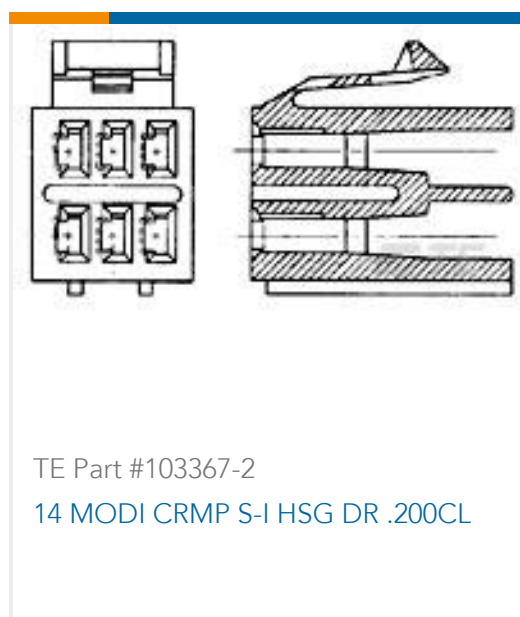
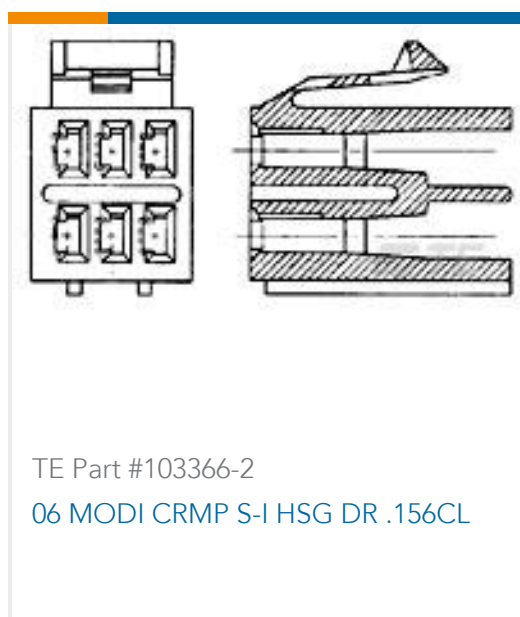
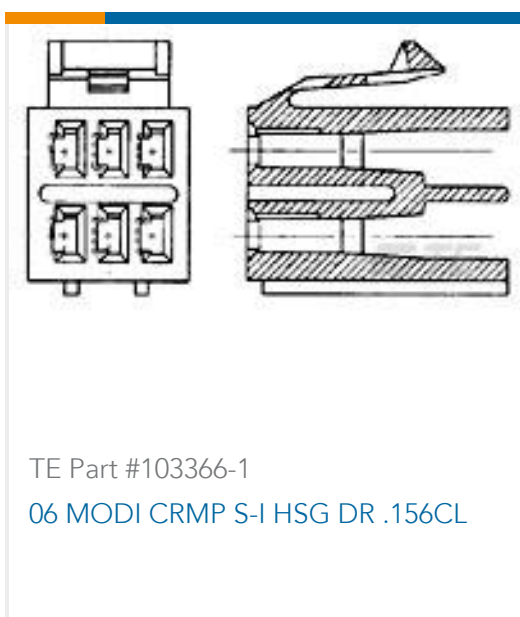
Compatible Parts



Also in the Series | Micro-MaTch Industrial



Customers Also Bought





Documents

Product Drawings

[CA MICRO-MATCH MOW-MOW 12POS](#)

English

Product Specifications

[Application Specification](#)

English

[micro match miniature connector system](#)

English