

Low Noise Thermocouple Probes With Standard Size Connectors **Metric and Standard Dimensions**



Mating Connector, Cable Clamp and Ground Strap and locking Clip Sold Separately

For twisted shielded wire visit omega.com/



Available!
Probes with Higher Temperature Rating Standard Size Connectors, Visit omega on line

ANSI color code shown To order IEC color code visit us online

Images are for reference only.

MEETS OR EXCEEDS SPECIAL LIMITS OF ERROR (SLE) AND EN 60584-2: Tolerance Class 1

- ✓ Connector Body Rated to 220°C (425°F)
- ✓ Ground Strap Connection Provides Protection Against Electrical Noise
- ✓ Ground Strap Provides Add'l Mechanical Rigidity
- ✓ Write-On Area for Easy Identification
- ✓ Compatible with Standard Style Probes and Connectors
- ✓ Mating Connector, Cable Clamp and Ground Strap and Locking Clip Sold Separately
- ✓ 304, 310, 316, 321 SS, Inconel or Super OMEGA CLAD™ XL Sheath Available
- ✓ Cal-5 Available

The write-on connector is a U.S. patented design of Omega Engineering, Inc.

The Omega™ low noise thermocouple probes and connectors maintain an electrical connection from the sheath of the probe, through the connectors, all the way to your instrumentation. This system assures high accuracy measurements, providing protection against electrical noise. The external strap maintains the electrical connection of the ground wire, and also strengthens the mechanical connection between the two connectors. The female connector features a handy write-on area, for easy identification.

Extra Replacement Write-On Windows

Model No.	Description
WCP-L	GST connector face
WCP-GST	Connector/probe side

Discount Schedule

1-10 Units	Net
11-24 Units	10%
25-49 Units	20%
50 and Up	Consult Sales



Probes shown actual size.

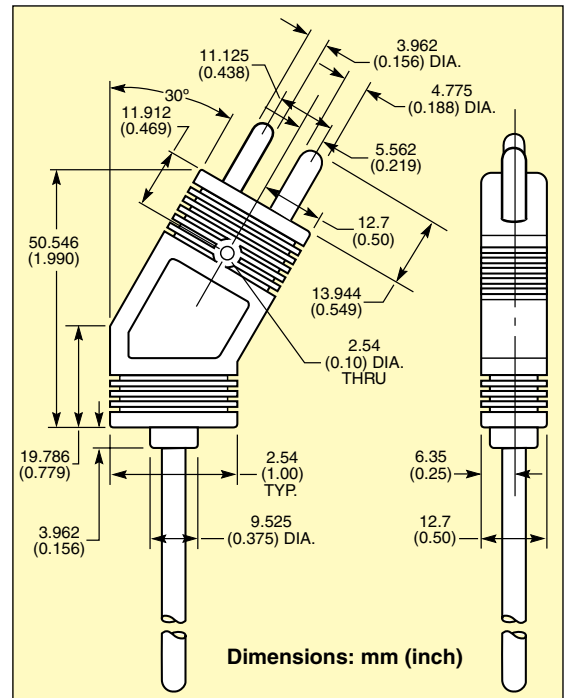
Visit omega on line for compression fittings

Images are for reference only.

Mating Connector, Cable Clamp and Ground Strap and locking clip Sold Separately.

For applications not requiring the external ground strap, plastic write-on windows are included with each probe and connector to provide additional write-on areas. Note: Windows cannot be used concurrently with ground straps.

Also available in 310 SS, 316 SS or 321 SS sheaths. To order replace the "SS" in Model no. with "310SS", "316SS" or "321SS" respectively, no additional charge.
Ordering Example: GKQ321SS-14G-18, low noise quick disconnect probe, Type K, 321SS sheath, 1/4" O.D., grounded junction, 18" length.
 To order low-noise standard thermocouple probes with higher temperature, environmentally-friendly liquid crystal polymer connector, add an "H" to the beginning of the model number for additional cost.
Ordering Example: GKQSS-316G-12, low noise quick disconnect probe, Type K, 304SS sheath, 3/16" O.D., grounded junction, 12" length.



Low Noise Standard Size Thermocouple Probes

Standard Dimensions

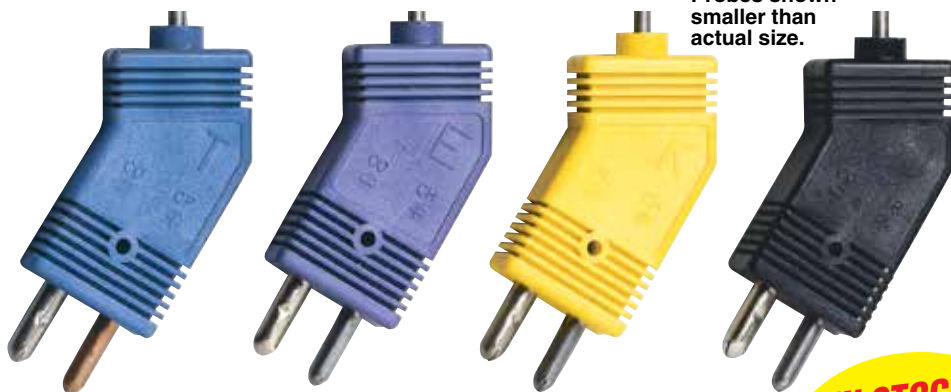
Available as
SUPER
OMEGACLAD™ XL
THERMOCOUPLE PROBES

ANSI color code shown
To order IEC color code visit us online

Probes shown smaller than actual size.

MEETS OR EXCEEDS SPECIAL LIMITS OF ERROR (SLE) AND EN 60584-2: Tolerance Class 1

OMEGACLAD™ Factory CAL AVAILABLE



Mating connector, cable clamp and ground strap and locking clip sold separately.

Extra Replacement Write-On Windows

Model No.	Description
WCP-L	GST connector face
WCP-GST	Connector/probe side

IN STOCK!
Probes with 304 SS and Inconel Sheaths are stocked for FAST Delivery!

Images are for reference only.

Standard Dimensions - Quick Disconnect Probes with Standard Size Connectors

To Order				
Alloy/ANSI Color Code	Sheath Dia. (inch)	Model No. 12" Length	Model No. 18" Length	Model No. 24" Length
IRON-CONSTANTAN Inconel Sheath J	1/16	GJQIN-116(*)-12	GJQIN-116(*)-18	GJQIN-116(*)-24
	1/8	GJQIN-18(*)-12	GJQIN-18(*)-18	GJQIN-18(*)-24
	3/16	GJQIN-316(*)-12	GJQIN-316(*)-18	GJQIN-316(*)-24
	1/4	GJQIN-14(*)-12	GJQIN-14(*)-18	GJQIN-14(*)-24
IRON-CONSTANTAN 304 SS Sheath J	1/16	GJQSS-116(*)-12	GJQSS-116(*)-18	GJQSS-116(*)-24
	1/8	GJQSS-18(*)-12	GJQSS-18(*)-18	GJQSS-18(*)-24
	3/16	GJQSS-316(*)-12	GJQSS-316(*)-18	GJQSS-316(*)-24
	1/4	GJQSS-14(*)-12	GJQSS-14(*)-18	GJQSS-14(*)-24
CHROMEGA™ ALOMEGA™ Inconel Sheath K	1/16	GKQIN-116(*)-12	GKQIN-116(*)-18	GKQIN-116(*)-24
	1/8	GKQIN-18(*)-12	GKQIN-18(*)-18	GKQIN-18(*)-24
	3/16	GKQIN-316(*)-12	GKQIN-316(*)-18	GKQIN-316(*)-24
	1/4	GKQIN-14(*)-12	GKQIN-14(*)-18	GKQIN-14(*)-24
CHROMEGA™ ALOMEGA™ 304 SS Sheath K	1/16	GKQSS-116(*)-12	GKQSS-116(*)-18	GKQSS-116(*)-24
	1/8	GKQSS-18(*)-12	GKQSS-18(*)-18	GKQSS-18(*)-24
	3/16	GKQSS-316(*)-12	GKQSS-316(*)-18	GKQSS-316(*)-24
	1/4	GKQSS-14(*)-12	GKQSS-14(*)-18	GKQSS-14(*)-24
CHROMEGA™-CONSTANTAN Inconel Sheath E	1/16	GEQIN-116(*)-12	GEQIN-116(*)-18	GEQIN-116(*)-24
	1/8	GEQIN-18(*)-12	GEQIN-18(*)-18	GEQIN-18(*)-24
	3/16	GEQIN-316(*)-12	GEQIN-316(*)-18	GEQIN-316(*)-24
	1/4	GEQIN-14(*)-12	GEQIN-14(*)-18	GEQIN-14(*)-24
CHROMEGA™-CONSTANTAN 304 SS Sheath E	1/16	GEQSS-116(*)-12	GEQSS-116(*)-18	GEQSS-116(*)-24
	1/8	GEQSS-18(*)-12	GEQSS-18(*)-18	GEQSS-18(*)-24
	3/16	GEQSS-316(*)-12	GEQSS-316(*)-18	GEQSS-316(*)-24
	1/4	GEQSS-14(*)-12	GEQSS-14(*)-18	GEQSS-14(*)-24
COPPER-CONSTANTAN Inconel Sheath T	1/16	GTQIN-116(*)-12	GTQIN-116(*)-18	GTQIN-116(*)-24
	1/8	GTQIN-18(*)-12	GTQIN-18(*)-18	GTQIN-18(*)-24
	3/16	GTQIN-316(*)-12	GTQIN-316(*)-18	GTQIN-316(*)-24
	1/4	GTQIN-14(*)-12	GTQIN-14(*)-18	GTQIN-14(*)-24
COPPER-CONSTANTAN 304 SS Sheath T	1/16	GTQSS-116(*)-12	GTQSS-116(*)-18	GTQSS-116(*)-24
	1/8	GTQSS-18(*)-12	GTQSS-18(*)-18	GTQSS-18(*)-24
	3/16	GTQSS-316(*)-12	GTQSS-316(*)-18	GTQSS-316(*)-24
	1/4	GTQSS-14(*)-12	GTQSS-14(*)-18	GTQSS-14(*)-24

* Specify junction type: "G" (Grounded), "E" (Exposed), or "U" (Ungrounded).

Mating connector, cable clamp and ground strap and locking clip sold separately. Extra ground straps, **GS-GST-10**, for additional charge.

† Other lengths available, consult Sales Department. To Order other Sheaths, change "SS" in model no. to "IN" for Inconel, no additional charge; "310SS" for 310 SS, no additional charge or "XL" for Super OMEGACLAD™, for additional cost to price of 12", 18" and 24" probes.

Ordering Example: **GKQSS-116U-12**, quick disconnect probe, Type K, 304SS sheath, 1/16" O.D., ungrounded junction, 12" length.

Low Noise Standard Size Thermocouple Probes

Metric Dimensions

Available as
SUPER
OMEGA CLAD™ XL
THERMOCOUPLE PROBES

ANSI color code shown
To order IEC color code visit us online

OMEGACAL™
Factory CAL
AVAILABLE

MEETS OR EXCEEDS
SPECIAL LIMITS
OF ERROR (SLE)
AND EN 60584-2:
Tolerance Class 1

IN STOCK!
Probes with 304 SS
and Inconel Sheaths
are stocked for
FAST Delivery!

Shown actual size.

Mating Connector, Cable Clamp and Ground Strap and locking clip Sold Separately

The 30 degree probe is a patented design of Omega Engineering, Inc. U.S. and International Patents.

Most Popular Metric Size Probes: 300, 450 and 600 mm Lengths†

For Standard Size Probes, See Previous Page

Shown smaller than actual size.

Metric Models - Quick Disconnect Probes with Standard Size Connectors

To Order				
Alloy/ANSI Color Code	Sheath Dia. mm	Model No. 300 mm Length	Model No. 450 mm Length	Model No. 600 mm Length
IRON-CONSTANTAN Inconel Sheath J	1.5	GJQIN-M15(*)-300	GJQIN-M15(*)-450	GJQIN-M15(*)-600
	3.0	GJQIN-M30(*)-300	GJQIN-M30(*)-450	GJQIN-M30(*)-600
	4.5	GJQIN-M45(*)-300	GJQIN-M45(*)-450	GJQIN-M45(*)-600
	6.0	GJQIN-M60(*)-300	GJQIN-M60(*)-450	GJQIN-M60(*)-600
IRON-CONSTANTAN 304 SS Sheath J	1.5	GJQSS-M15(*)-300	GJQSS-M15(*)-450	GJQSS-M15(*)-600
	3.0	GJQSS-M30(*)-300	GJQSS-M30(*)-450	GJQSS-M30(*)-600
	4.5	GJQSS-M45(*)-300	GJQSS-M45(*)-450	GJQSS-M45(*)-600
	6.0	GJQSS-M60(*)-300	GJQSS-M60(*)-450	GJQSS-M60(*)-600
CHROMEGLA™-ALOMEGA™ Inconel Sheath K	1.5	GKQIN-M15(*)-300	GKQIN-M15(*)-450	GKQIN-M15(*)-600
	3.0	GKQIN-M30(*)-300	GKQIN-M30(*)-450	GKQIN-M30(*)-600
	4.5	GKQIN-M45(*)-300	GKQIN-M45(*)-450	GKQIN-M45(*)-600
	6.0	GKQIN-M60(*)-300	GKQIN-M60(*)-450	GKQIN-M60(*)-600
CHROMEGLA™-ALOMEGA™ 304 SS Sheath K	1.5	GKQSS-M15(*)-300	GKQSS-M15(*)-450	GKQSS-M15(*)-600
	3.0	GKQSS-M30(*)-300	GKQSS-M30(*)-450	GKQSS-M30(*)-600
	4.5	GKQSS-M45(*)-300	GKQSS-M45(*)-450	GKQSS-M45(*)-600
	6.0	GKQSS-M60(*)-300	GKQSS-M60(*)-450	GKQSS-M60(*)-600
CHROMEGLA™-CONSTANTAN Inconel Sheath E	1.5	GEQIN-M15(*)-300	GEQIN-M15(*)-450	GEQIN-M15(*)-600
	3.0	GEQIN-M30(*)-300	GEQIN-M30(*)-450	GEQIN-M30(*)-600
	4.5	GEQIN-M45(*)-300	GEQIN-M45(*)-450	GEQIN-M45(*)-600
	6.0	GEQIN-M60(*)-300	GEQIN-M60(*)-450	GEQIN-M60(*)-600
CHROMEGLA™-CONSTANTAN 304 SS Sheath E	1.5	GEQSS-M15(*)-300	GEQSS-M15(*)-450	GEQSS-M15(*)-600
	3.0	GEQSS-M30(*)-300	GEQSS-M30(*)-450	GEQSS-M30(*)-600
	4.5	GEQSS-M45(*)-300	GEQSS-M45(*)-450	GEQSS-M45(*)-600
	6.0	GEQSS-M60(*)-300	GEQSS-M60(*)-450	GEQSS-M60(*)-600
COPPER-CONSTANTAN Inconel Sheath T	1.5	GTQIN-M15(*)-300	GTQIN-M15(*)-450	GTQIN-M15(*)-600
	3.0	GTQIN-M30(*)-300	GTQIN-M30(*)-450	GTQIN-M30(*)-600
	4.5	GTQIN-M45(*)-300	GTQIN-M45(*)-450	GTQIN-M45(*)-600
	6.0	GTQIN-M60(*)-300	GTQIN-M60(*)-450	GTQIN-M60(*)-600
COPPER-CONSTANTAN 304 SS Sheath T	1.5	GTQSS-M15(*)-300	GTQSS-M15(*)-450	GTQSS-M15(*)-600
	3.0	GTQSS-M30(*)-300	GTQSS-M30(*)-450	GTQSS-M30(*)-600
	4.5	GTQSS-M45(*)-300	GTQSS-M45(*)-450	GTQSS-M45(*)-600
	6.0	GTQSS-M60(*)-300	GTQSS-M60(*)-450	GTQSS-M60(*)-600

* Specify junction type: "G" (Grounded), "E" (Exposed), or "U" (Ungrounded). No additional charge for lengths from 50 to 300 mm.

Mating connector, cable clamp and ground strap and locking clip sold separately. Extra ground straps, **GS-GST-10**, for additional cost.

† Other lengths available, consult Sales Department. To Order other Sheaths, change "SS" in model no. to "IN" for Inconel, no additional cost charge; "310SS" for 310 SS, no additional charge or "XL" for Super OMEGA CLAD™, for additional cost to the price of 300, 450 and 600 mm probes.

Ordering Example: GKQSS-M15U-300, quick disconnect probe, Type K, 304SS sheath, 1.5 mm O.D., ungrounded junction, 300 mm length.

Standard GJQIN Accessories

Alloy/ANSI Color Code		Model No. 12" Length	Model No. 18" Length	Model No. 24" Length	Mating Connector Model No.	Cable Clamp Model No.	Ground Strap Model No.
IRON-CONSTANTAN Inconel Sheath	J	GJQIN-116(*)-12 GJQIN-18(*)-12 GJQIN-316(*)-12 GJQIN-14(*)-12	GJQIN-116(*)-18 GJQIN-18(*)-18 GJQIN-316(*)-18 GJQIN-14(*)-18	GJQIN-116(*)-24 GJQIN-18(*)-24 GJQIN-316(*)-24 GJQIN-14(*)-24	HGST-J-F	PCLM-GST	GS-GST
IRON-CONSTANTAN 304 SS Sheath	J	GJQSS-116(*)-12 GJQSS-18(*)-12 GJQSS-316(*)-12 GJQSS-14(*)-12	GJQSS-116(*)-18 GJQSS-18(*)-18 GJQSS-316(*)-18 GJQSS-14(*)-18	GJQSS-116(*)-24 GJQSS-18(*)-24 GJQSS-316(*)-24 GJQSS-14(*)-24	HGST-J-F		
CHROMEGLA™-ALOMEGA™ Inconel Sheath	K	GKQIN-116(*)-12 GKQIN-18(*)-12 GKQIN-316(*)-12 GKQIN-14(*)-12	GKQIN-116(*)-18 GKQIN-18(*)-18 GKQIN-316(*)-18 GKQIN-14(*)-18	GKQIN-116(*)-24 GKQIN-18(*)-24 GKQIN-316(*)-24 GKQIN-14(*)-24	HGST-K-F		
CHROMEGLA™-ALOMEGA™ 304 SS Sheath	K	GKQSS-116(*)-12 GKQSS-18(*)-12 GKQSS-316(*)-12 GKQSS-14(*)-12	GKQSS-116(*)-18 GKQSS-18(*)-18 GKQSS-316(*)-18 GKQSS-14(*)-18	GKQSS-116(*)-24 GKQSS-18(*)-24 GKQSS-316(*)-24 GKQSS-14(*)-24	HGST-K-F		
CHROMEGLA™-CONSTANTAN Inconel Sheath	E	GEQIN-116(*)-12 GEQIN-18(*)-12 GEQIN-316(*)-12 GEQIN-14(*)-12	GEQIN-116(*)-18 GEQIN-18(*)-18 GEQIN-316(*)-18 GEQIN-14(*)-18	GEQIN-116(*)-24 GEQIN-18(*)-24 GEQIN-316(*)-24 GEQIN-14(*)-24	HGST-E-F		
CHROMEGLA™-CONSTANTAN 304 SS Sheath	E	GEQSS-116(*)-12 GEQSS-18(*)-12 GEQSS-316(*)-12 GEQSS-14(*)-12	GEQSS-116(*)-18 GEQSS-18(*)-18 GEQSS-316(*)-18 GEQSS-14(*)-18	GEQSS-116(*)-24 GEQSS-18(*)-24 GEQSS-316(*)-24 GEQSS-14(*)-24	HGST-E-F		
COPPER-CONSTANTAN Inconel Sheath	T	GTQIN-116(*)-12 GTQIN-18(*)-12 GTQIN-316(*)-12 GTQIN-14(*)-12	GTQIN-116(*)-18 GTQIN-18(*)-18 GTQIN-316(*)-18 GTQIN-14(*)-18	GTQIN-116(*)-24 GTQIN-18(*)-24 GTQIN-316(*)-24 GTQIN-14(*)-24	HGST-T-F		
COPPER-CONSTANTAN 304 SS Sheath	T	GTQSS-116(*)-12 GTQSS-18(*)-12 GTQSS-316(*)-12 GTQSS-14(*)-12	GTQSS-116(*)-18 GTQSS-18(*)-18 GTQSS-316(*)-18 GTQSS-14(*)-18	GTQSS-116(*)-24 GTQSS-18(*)-24 GTQSS-316(*)-24 GTQSS-14(*)-24	HGST-T-F		

All Accessories Sold Separately.

* Specify junction type: "G" (Grounded), "E" (Exposed) or "U" (Ungrounded).

Metric GJQIN Accessories

Alloy/ANSI Color Code	Model No. 12" Length	Model No. 18" Length	Model No. 24" Length	Mating Connector Model No.	Cable Clamp Model No.	Ground Strap Model No.
IRON-CONSTANTAN Inconel Sheath J	GJQIN-M15(*)-300 GJQIN-M30(*)-300 GJQIN-M45(*)-300 GJQIN-M60(*)-300	GJQIN-M15(*)-450 GJQIN-M30(*)-450 GJQIN-M45(*)-450 GJQIN-M60(*)-450	GJQIN-M15(*)-600 GJQIN-M30(*)-600 GJQIN-M45(*)-600 GJQIN-M60(*)-600	HGST-J-F	PCLM-GST	GS-GST
IRON-CONSTANTAN 304 SS Sheath J	GJQSS-M15(*)-300 GJQSS-M30(*)-300 GJQSS-M45(*)-300 GJQSS-M60(*)-300	GJQSS-M15(*)-450 GJQSS-M30(*)-450 GJQSS-M45(*)-450 GJQSS-M60(*)-450	GJQSS-M15(*)-600 GJQSS-M30(*)-600 GJQSS-M45(*)-600 GJQSS-M60(*)-600	HGST-J-F		
CHROMEGLA™-ALOMEGA™ Inconel Sheath K	GKQIN-M15(*)-300 GKQIN-M30(*)-300 GKQIN-M45(*)-300 GKQIN-M60(*)-300	GKQIN-M15(*)-450 GKQIN-M30(*)-450 GKQIN-M45(*)-450 GKQIN-M60(*)-450	GKQIN-M15(*)-600 GKQIN-M30(*)-600 GKQIN-M45(*)-600 GKQIN-M60(*)-600	HGST-K-F		
CHROMEGLA™-ALOMEGA™ 304 SS Sheath K	GKQSS-M15(*)-300 GKQSS-M30(*)-300 GKQSS-M45(*)-300 GKQSS-M60(*)-300	GKQSS-M15(*)-450 GKQSS-M30(*)-450 GKQSS-M45(*)-450 GKQSS-M60(*)-450	GKQSS-M15(*)-600 GKQSS-M30(*)-600 GKQSS-M45(*)-600 GKQSS-M60(*)-600	HGST-K-F		
CHROMEGLA™-CONSTANTAN Inconel Sheath E	GEQIN-M15(*)-300 GEQIN-M30(*)-300 GEQIN-M45(*)-300 GEQIN-M60(*)-300	GEQIN-M15(*)-450 GEQIN-M30(*)-450 GEQIN-M45(*)-450 GEQIN-M60(*)-450	GEQIN-M15(*)-600 GEQIN-M30(*)-600 GEQIN-M45(*)-600 GEQIN-M60(*)-600	HGST-E-F		
CHROMEGLA™-CONSTANTAN 304 SS Sheath E	GEQSS-M15(*)-300 GEQSS-M30(*)-300 GEQSS-M45(*)-300 GEQSS-M60(*)-300	GEQSS-M15(*)-450 GEQSS-M30(*)-450 GEQSS-M45(*)-450 GEQSS-M60(*)-450	GEQSS-M15(*)-600 GEQSS-M30(*)-600 GEQSS-M45(*)-600 GEQSS-M60(*)-600	HGST-E-F		
COPPER-CONSTANTAN Inconel Sheath T	GTQIN-M15(*)-300 GTQIN-M30(*)-300 GTQIN-M45(*)-300 GTQIN-M60(*)-300	GTQIN-M15(*)-450 GTQIN-M30(*)-450 GTQIN-M45(*)-450 GTQIN-M60(*)-450	GTQIN-M15(*)-600 GTQIN-M30(*)-600 GTQIN-M45(*)-600 GTQIN-M60(*)-600	HGST-T-F		
COPPER-CONSTANTAN 304 SS Sheath T	GTQSS-M15(*)-300 GTQSS-M30(*)-300 GTQSS-M45(*)-300 GTQSS-M60(*)-300	GTQSS-M15(*)-450 GTQSS-M30(*)-450 GTQSS-M45(*)-450 GTQSS-M60(*)-450	GTQSS-M15(*)-600 GTQSS-M30(*)-600 GTQSS-M45(*)-600 GTQSS-M60(*)-600	HGST-T-F		

All Accessories Sold Separately.

* Specify junction type: "G" (Grounded), "E" (Exposed) or "U" (Ungrounded).