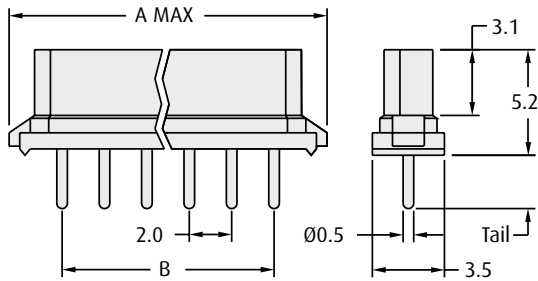


Datamate Connectors

Female Connectors – PC Tail

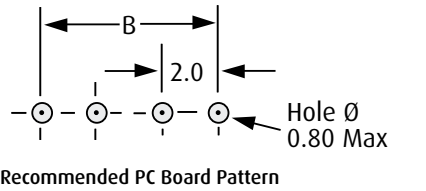
- ❖ Fully shrouded contacts.
- ❖ Polarised mouldings.
- ❖ For British Standard versions see page 8.
- ❖ Dummy contacts for additional polarisation use **order code M80-023**.
- ❖ Mates with male connectors on pages 10 – 14.

SINGLE ROW

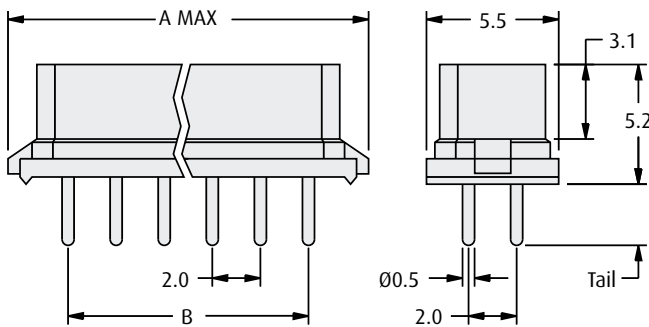


CALCULATION

A	$B + 5.15$
B	$(\text{Total No. of contacts} - 1) \times 2$

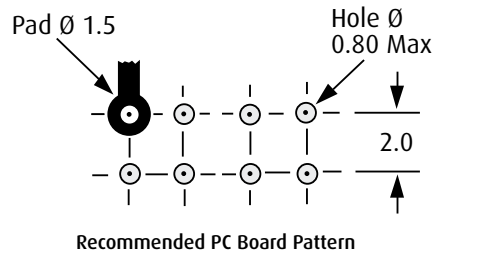


DOUBLE ROW



CALCULATION

A	$B + 5.15$
B	$\text{Total No. of contacts} - 2$



HOW TO ORDER

M80 XXX XX XX

SERIES CODE

RoHS	Non-RoHS	
840	897	Single row (3mm tail)
850	887	Double row (3mm tail)
790	790	Single row (4.5Mm tail)
770	770	Double row (4.5Mm tail)

FINISH

01	Gold + Tin/Lead
05	Gold
42	Gold + Tin
45	Gold

TOTAL NO. OF CONTACTS

Single Row	02 to 07, 17, 22
Double Row	04, 06, 08, 10, 12, 14, 16, 18, 20, 26, 34, 44

www.harwin.com

All dimensions in mm.

