

Round LED Light Bar

Ultra Green, 22mm

multicomp^{PRO}

RoHS
Compliant

Specifications

Dice Material : InGaN
Emitted colour : Ultra Green
Epoxy colour : Green Diffused
Surface Ink colour : No Ink
Peak wavelength : 525nm
Luminous intensity (IV) : 50mcd

Electrical / Optical Characteristics at Ta = 25°C						
Parameter	Symbol	Min.	Typ.	Max.	Unit	Condition
Luminous Intensity	IV	35	50	65	mcd	IF = 20mA
Viewing Angle	2θ1/2				deg	
Peak Emission Wavelength	λp		525		nm	
Dominant Wavelength	λD	520	525	530	nm	
Spectral Line Half-Width	Δλ		36		nm	
Forward Voltage	VF	2.8	3.1	3.4	V	
Reverse Current	I _r	-	-	10	uA	VR=5V

▲ Luminous intensity (IV) ±10%, Forward Voltage (VF) ±0.1V, Wavelength (λd) ±0.5nm

Absolute Maximum Ratings: (Ta = 25°C)			
Parameter	Symbol	Rating	Unit
Power Dissipation	Pd	85	mW
Peak Forward Current (Duty 1/10 @ 1KHZ)	IF (Peak)	100	mA
Recommended Operating Current	IF (Rec)	30	mA
Electrostatic Discharge	ESD _{HBM}	200	V
Operating Temperature Range	T _{OPR}	-40 to +85	°C
Storage Temperature Range	T _{STG}	-40 to +100	°C
Lead Soldering Temperature Range (1.6 mm (1/16 inch) from body)		Reflow Soldering: 260°C for 5 sec. Hand Soldering: 350°C for 3 sec.	

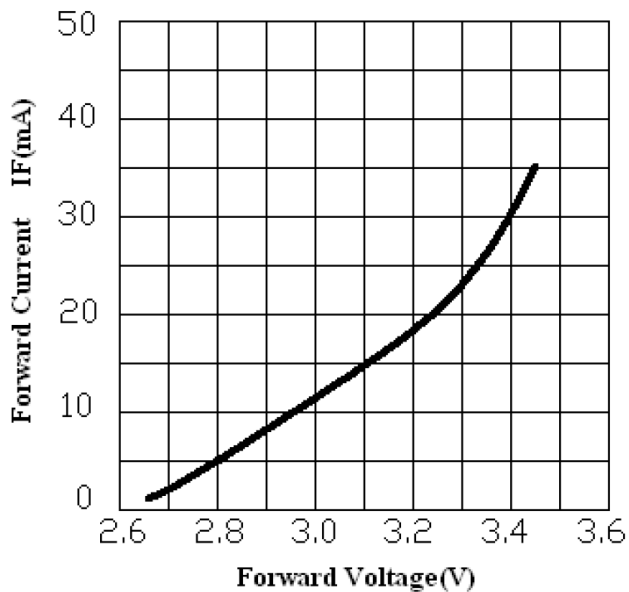
Newark.com/multicomp-pro
Farnell.com/multicomp-pro
Element14.com/multicomp-pro

multicomp^{PRO}

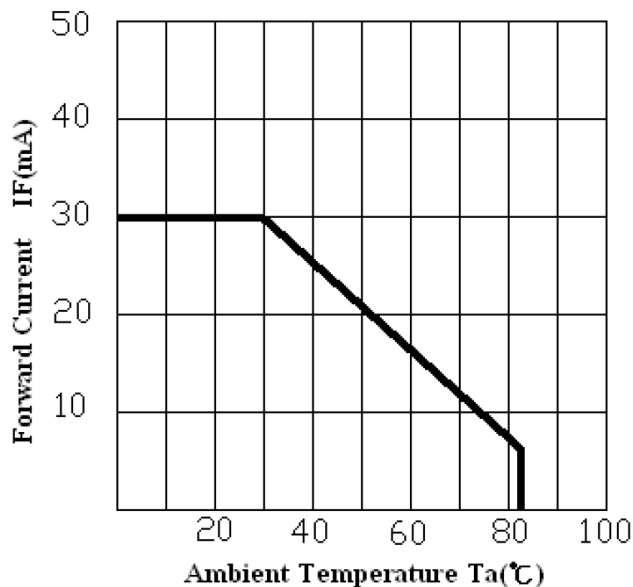
Round LED Light Bar Ultra Green, 22mm

Typical Electro-Optical Characteristics Curves

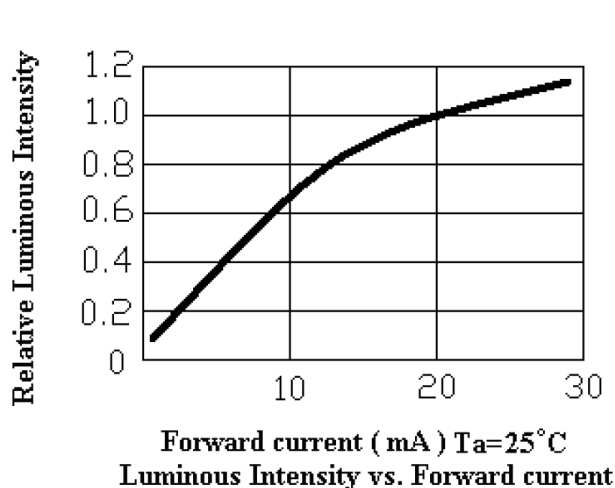
Ultra Green (InGaN $\lambda_P = 525\text{nm}$)



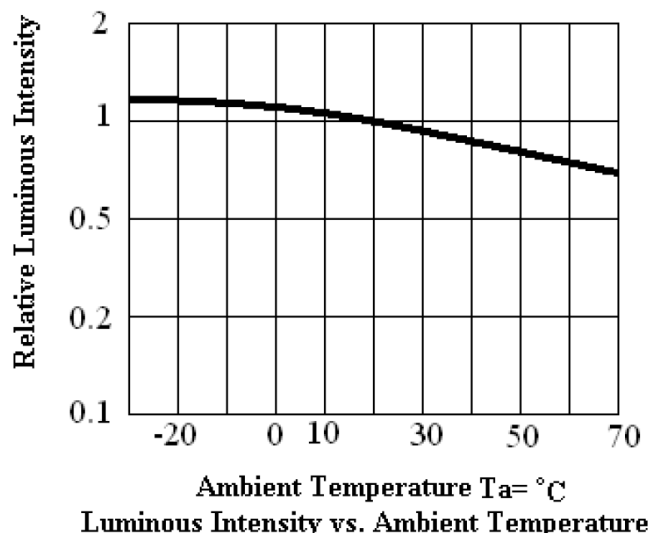
Forward Current vs. Forward Voltage



Forward Current Derating Curve



Luminous Intensity vs. Forward current

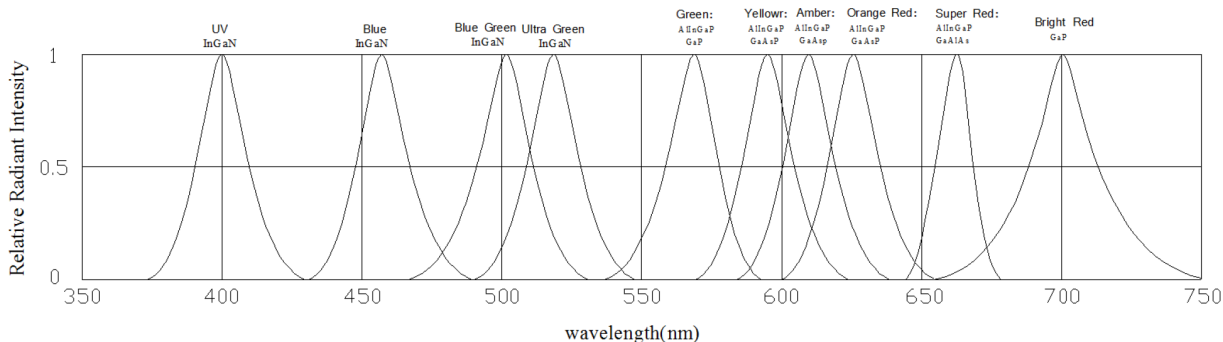


Luminous Intensity vs. Ambient Temperature

Round LED Light Bar

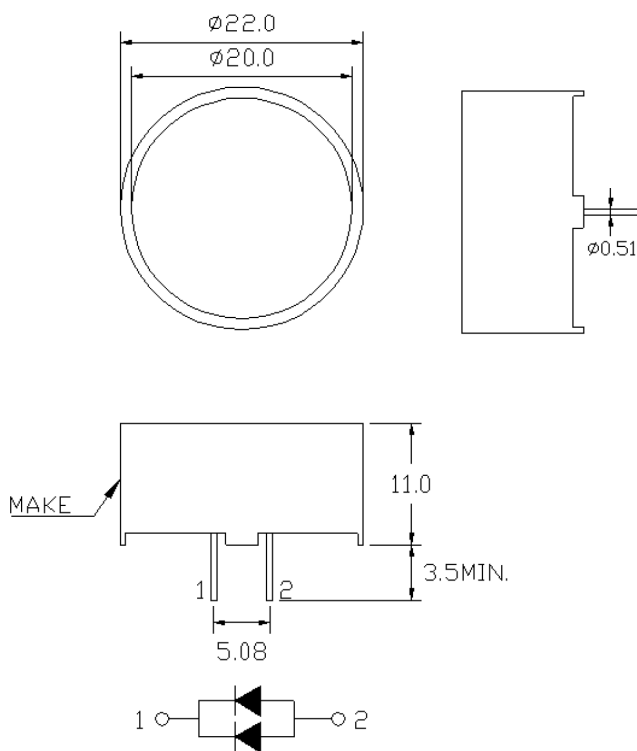
Ultra Green, 22mm

multicomp PRO



Relative Intensity VS. wavelength

Dimensions



Dimensions : Millimetres

Part Number Table

Description	Part Number
Round LED Light Bar, Ultra Green, 22mm, 525nm, 50mcd	MP008002

Important Notice : This data sheet and its contents (the "Information") belong to the members of the AVNET group of companies (the "Group") or are licensed to it. No licence is granted for the use of it other than for information purposes in connection with the products to which it relates. No licence of any intellectual property rights is granted. The Information is subject to change without notice and replaces all data sheets previously supplied. The Information supplied is believed to be accurate but the Group assumes no responsibility for its accuracy or completeness, any error in or omission from it or for any use made of it. Users of this data sheet should check for themselves the Information and the suitability of the products for their purpose and not make any assumptions based on information included or omitted. Liability for loss or damage resulting from any reliance on the Information or use of it (including liability resulting from negligence or where the Group was aware of the possibility of such loss or damage arising) is excluded. This will not operate to limit or restrict the Group's liability for death or personal injury resulting from its negligence. Multicomp Pro is the registered trademark of Premier Farnell Limited 2019.

Newark.com/multicomp-pro
 Farnell.com/multicomp-pro
 Element14.com/multicomp-pro

multicomp PRO