

Flat HDMI Plug to HDMI Plug

pro-SIGNAL



RoHS
Compliant

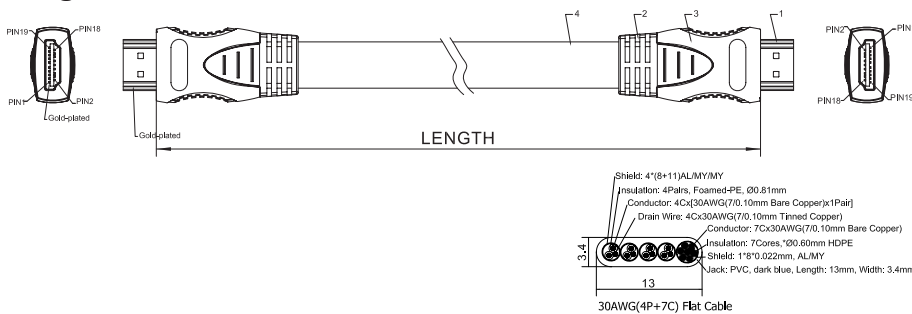
Features

- Moulded HDMI plug to plug lead
- Low profile, flat cable for tight installations
- Gold plated connectors
- Version 2.0

Specifications

Connector Type A	: HDMI Plug, Flat
Connector Type B	: HDMI Plug, (Flat)
Withstanding Voltage	: 500V DC 1 Min
Insulation Resistance	: 50MΩ 500V DC
Jacket Colour	: Black

Diagram



Type A PIN	Signal Assignment	Type A PIN
1 Red	Red	Red 1
2 Earth	Earth	Earth 2
3 White	White	White 3
4 Blue	Blue	Blue 4
5 Earth	Earth	Earth 5
6 White	White	White 6
7 Green	Green	Green 7
8 Earth	Earth	Earth 8
9 White	White	White 9
10 Brown	Brown	Brown 10
11 Earth	Earth	Earth 11
12 White	White	White 12
13 Green	CEC	Green 13
14	N.C.	14
15 Orange	SCD	Orange 15
16 Purple	SDA	Purple 16
17 White	DDC/CEC Ground	White 17
18 Red	+5 Volts Power	Red 18
19 Yellow	Hot Plug Detect	Yellow 19

Item	Description	Qty.
1	HDMI Type A Plug, 19 Pin Golded Plated	2 Pcs
2	HDMI Type A (P) Inner Moulding, PVC, Dark Blue	
3	HDMI Type A (P) Outer Moulding, PVC, Grey	
4	HDMI Flat Cable 30AWG (4P+7C)	1 Pcs

Part Number Table

Description	Length (mm)	Part Number
HDMI Plug Flat to HDMI Plug Flat, Black	3000±30	PSG02849
	7000±50	PSG02851
	10000±50	PSG02852

Dimensions : Millimetres

Important Notice : This data sheet and its contents (the "Information") belong to the members of the AVNET group of companies (the "Group") or are licensed to it. No licence is granted for the use of it other than for information purposes in connection with the products to which it relates. No licence of any intellectual property rights is granted. The Information is subject to change without notice and replaces all data sheets previously supplied. The Information supplied is believed to be accurate but the Group assumes no responsibility for its accuracy or completeness, any error in or omission from it or for any use made of it. Users of this data sheet should check for themselves the Information and the suitability of the products for their purpose and not make any assumptions based on information included or omitted. Liability for loss or damage resulting from any reliance on the Information or use of it (including liability resulting from negligence or where the Group was aware of the possibility of such loss or damage arising) is excluded. This will not operate to limit or restrict the Group's liability for death or personal injury resulting from its negligence. pro-SIGNAL is the registered trademark of Premier Farnell Limited 2019.

Newark.com/exclusive-brands
Farnell.com/exclusive-brands
Element14.com/exclusive-brands

pro-SIGNAL