

2385345-1 ✓ ACTIVE

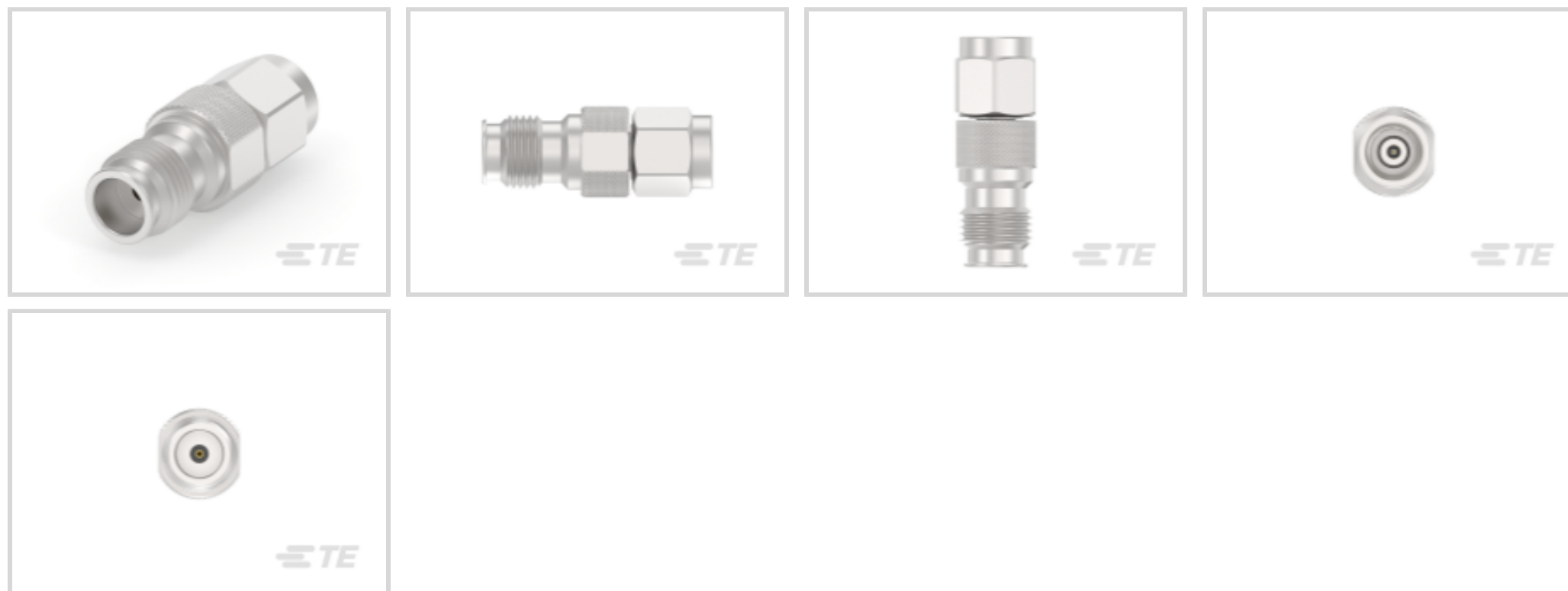
TE Internal #: 2385345-1

Between Series Adapters, Side A Interface 1.35mm series, Side A Gender Jack, Side B Interface 1.0mm series, Side B Gender Plug, 50 Ω , 1 Position

[View on TE.com >](#)



Connectors > RF Coax Connectors > RF Adapters > Between Series Adapters



Side A Interface: **1.35mm series**

Side A Gender: **Jack**

Side B Interface: **1.0mm series**

Side B Gender: **Plug**

Impedance: **50 Ω**

Features

Product Type Features

Side A Interface	1.35mm series
Side A Gender	Jack
Side B Interface	1.0mm series
Side B Gender	Plug
Sealable	No

Configuration Features

Number of Positions	1
---------------------	---

Electrical Characteristics

Impedance	50 Ω
-----------	-------------

Mechanical Attachment

Connector Mounting Type	Fixing Screw
-------------------------	--------------

Usage Conditions

Operating Temperature Range	-40 – 85 °C[-40 – 185 °F][-40 – 185 °F]
-----------------------------	---

Operation/Application



Circuit Application	Signal
---------------------	--------

Product Compliance

[For compliance documentation, visit the product page on TE.com>](#)

EU RoHS Directive 2011/65/EU	Compliant with Exemptions
EU ELV Directive 2000/53/EC	Not Yet Reviewed
China RoHS 2 Directive MIIT Order No 32, 2016	Restricted Materials Above Threshold
EU REACH Regulation (EC) No. 1907/2006	Current ECHA Candidate List: JUL 2021 (219) Candidate List Declared Against: JAN 2021 (211) SVHC > Threshold: Not Yet Reviewed
Halogen Content	Not Low Halogen - contains Br or Cl > 900 ppm.
Solder Process Capability	Not reviewed for solder process capability

Product Compliance Disclaimer

This information is provided based on reasonable inquiry of our suppliers and represents our current actual knowledge based on the information they provided. This information is subject to change. The part numbers that TE has identified as EU RoHS compliant have a maximum concentration of 0.1% by weight in homogenous materials for lead, hexavalent chromium, mercury, PBB, PBDE, DBP, BBP, DEHP, DIBP, and 0.01% for cadmium, or qualify for an exemption to these limits as defined in the Annexes of Directive 2011/65/EU (RoHS2). Finished electrical and electronic equipment products will be CE marked as required by Directive 2011/65/EU. Components may not be CE marked. Additionally, the part numbers that TE has identified as EU ELV compliant have a maximum concentration of 0.1% by weight in homogenous materials for lead, hexavalent chromium, and mercury, and 0.01% for cadmium, or qualify for an exemption to these limits as defined in the Annexes of Directive 2000/53/EC (ELV). Regarding the REACH Regulation, the information TE provides on SVHC in articles for this part number is based on the latest European Chemicals Agency (ECHA) 'Guidance on requirements for substances in articles' posted at this URL: <https://echa.europa.eu/guidance-documents/guidance-on-reach>

Compatible Parts



Customers Also Bought



TE Part #1676287-1
RN 0805 2K32 0.1% 10PPM CUT LE



TE Part #103321-9
09 MODII HDR SRST B/A .100CL



TE Part #103969-3
5X4 MTE RCPT SR RIBBED .100CL



TE Part #3-456401-0
CRIMPER, WIRE .042F



TE Part #47812
DIES SOLIS 22-16 DIE SET



TE Part #5-683454-9
CRIMPER, INSUL "O" (.055)



TE Part #794070-2
20P MINI UMNL HDR W/DH AU

Documents

Product Drawings

1.35MM FEMALE TO 1.0MM MALE ADAPTOR

English

CAD Files

3D PDF

3D

Customer View Model

[ENG_CVM_CVM_2385345-1_1.2d_dxf.zip](#)

English

Customer View Model

[ENG_CVM_CVM_2385345-1_1.3d_igs.zip](#)

English

Customer View Model

[ENG_CVM_CVM_2385345-1_1.3d_stp.zip](#)

English

By downloading the CAD file I accept and agree to the [Terms and Conditions](#) of use.

Product Specifications

Product Specification

English