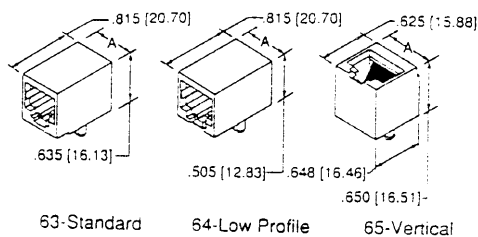


4300801092

# Modular Jacks, Series SS 63, 64 & 65

## SERIES

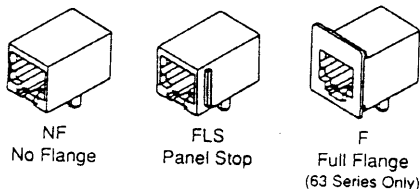


Inches (mm)

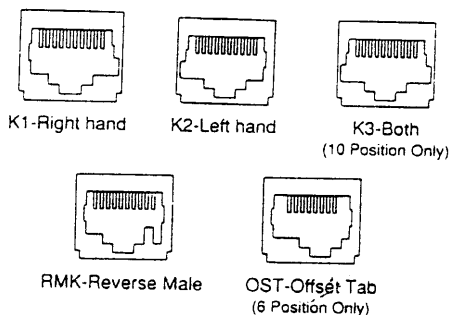
"A" Dimension Contact Config.			
Series	4 X 4	4 X 6	6 X 6
63	.445 (11.30)	.525 (13.34)	.525 (13.34)
64	.445 (11.30)	.525 (13.34)	.525 (13.34)
65	.455 (11.56)	.535 (13.59)	.535 (13.59)

Series	8 X 8	10 X 10
63	.505 (15.37)	N/A
64	.505 (15.37)	.605 (15.37)
65	.615 (15.62)	.615 (15.62)

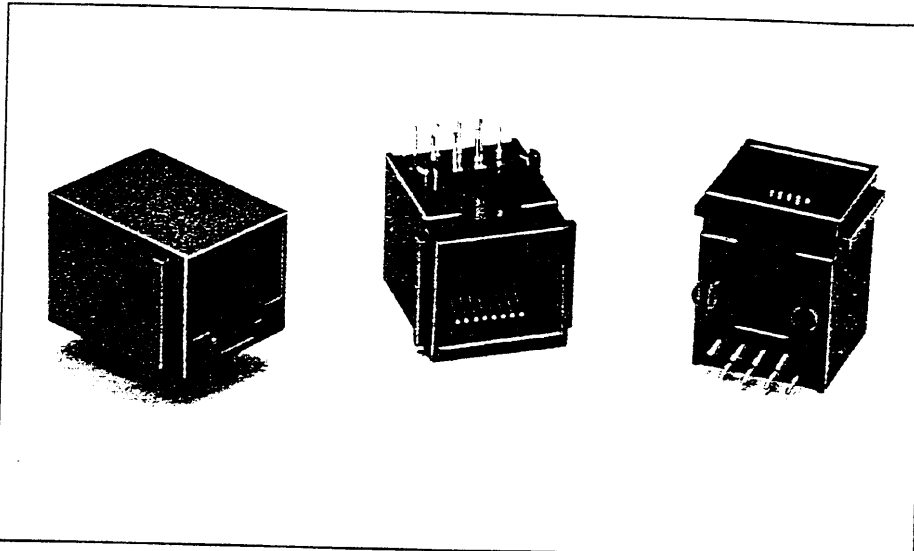
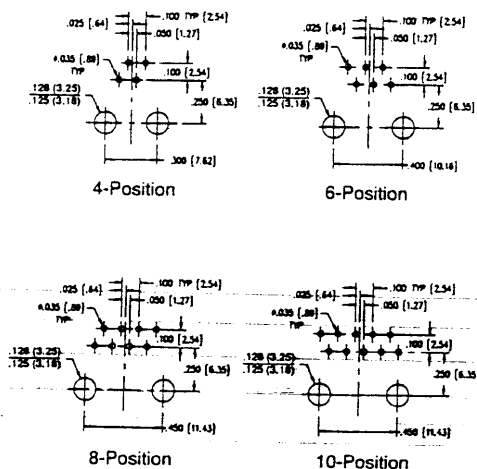
## FLANGE OPTIONS



## KEYING OPTIONS



## PWB FOOTPRINT



The contacts in Stewart Connector's modular jacks are designed to meet the demanding requirements of error free digital transmission and communication applications.

## FEATURES

- FCC compliant.
- Listed by Underwriters Laboratories Inc., File E132408(N)-DUXR2.
- Certified by Canadian Standards Association, File 67725.
- Fully enclosed / no exposed conductors.
- Wire formed contacts with radiused edges for hang-up free flexing.
- Contacts combed and preloaded in individual slots.
- Spring temper contact for high normal force, low resistance connections.
- Available in 4, 6, 8 & 10 contact positions and multi-port versions (up to 13 ports).
- Available in switching and internal shorting configurations.
- Short jack (.695" (17.65) long) available in 64 series 8 x 8 configurations, contact factory for details.

## ELECTRICAL CHARACTERISTICS

- Current/Voltage Rating:** 1.5 Amps, 30VAC/42VDC.
- Dielectric Withstanding:** 1,000 Volts RMS, 1Min (60Hz).
- Insulation Resistance:** 500 Megohm Min.

## MATERIALS

- Housing:** Polyester UL 94 V-0.
- Contacts:** Phosphor bronze.
- Plating:** Selectively plated gold at 30 microinch over Ni with SnPb on soldertails. 50 microinch gold available when requested (FCC certifiable). Consult factory.

## HOW TO ORDER

