

# Engineering Sample Specifications

**CUSTOMER** :  
**DESCRIPTION** : **MagLev Motor Fan**  
**DIMENSIONS** : **8X8X3 mm**  
**MODEL** : **UF383-100**  
**P/N** :

<b>ENGINEER</b>	<i>Stanley 6/11</i>	<b>APPROVAL</b>	<i>rjin 6/12</i>
<b>SSR NO.</b>	<b>KT09500010</b>	<b>ISSUE DATE</b>	<b>06.11.2007</b>
建準電機工業股份有限公司 SUNONWEALTH ELECTRIC MACHINE INDUSTRY CO., LTD TEL:886-7-7163069(41 LINES) FAX:886-7-7163086/87/88 WEB PAGE : <a href="http://www.sunon.com.tw">http : //www.sunon.com.tw</a>			

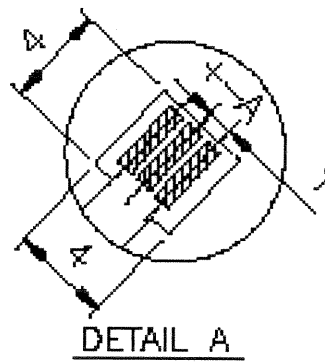
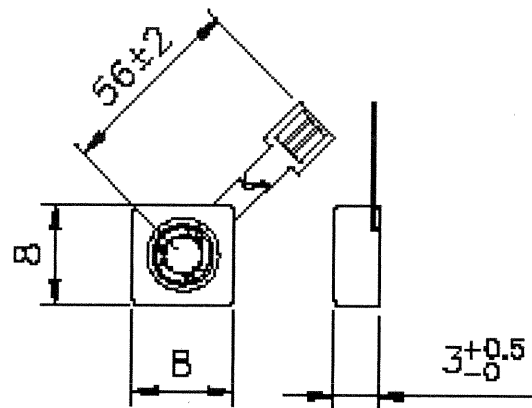
## 1. Construction

MOTOR DESIGN	DC brushless 6 pole motor design.
BEARING SYSTEM	Vapo bearing system
DIMENSIONS	See Page 4
MATERIALS OF FRAME	Thermoplastic LCP A130
MATERIALS OF FAN BLADE	Thermoplastic LCP A130
DIRECTION OF ROTATION	Counter-clockwise viewed from front of fan blade
Tolerance	±15% on rated power and current.
WEIGHT	0.30g

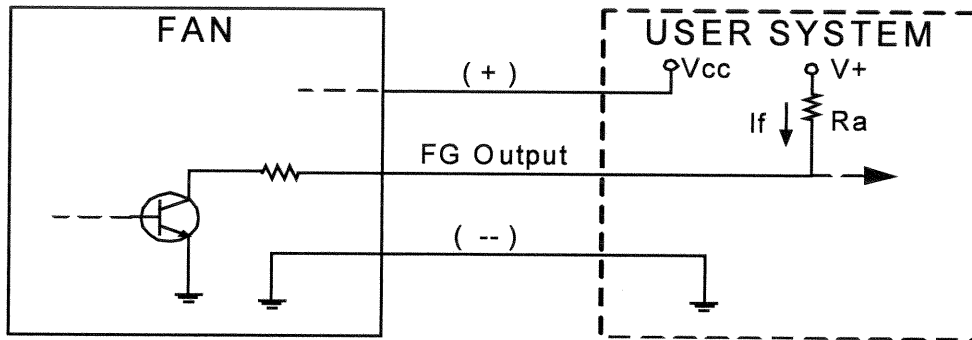
## 2. Rating

RATED VOLTAGE	3 VDC
STARTING VOLTAGE	2.2 VDC (25 deg. C POWER ON/OFF)
OPERATING VOLTAGE RANGE	2.2~3.5 VDC
RATED CURRENT	115 mA
RATED POWER CONSUMPTION	0.35 WATTS
AIR FLOW	0.12 l/min
STATIC PRESSURE	1.0 Pa
ACOUSTIC NOISE / 5cm	17.1 dB(A)
RATED SPEED	13500 RPM ± 30%
OPERATING TEMPERATURE	-10 to + 70 deg. C
STORAGE TEMPERATURE	-40 to + 70 deg. C

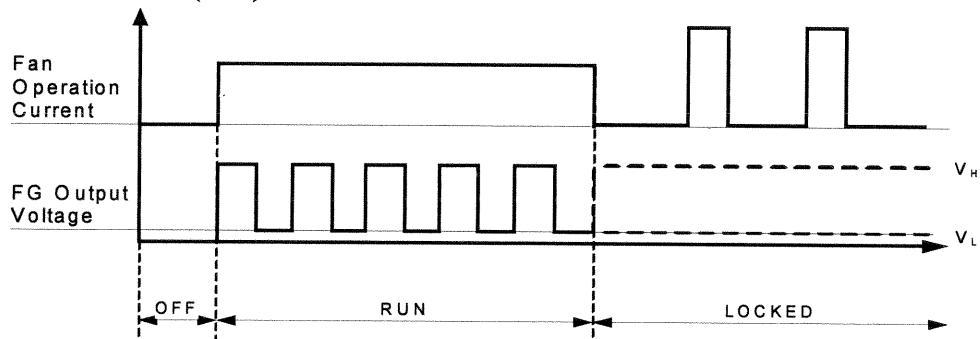
### 3. Dimensions



## 4. FG Signal



$$*Ra \geq V^+ / If (\max)$$



★Electrical Characteristics : ( at Ta = 25°C )

Parameter	Ratings			Unit
	min	typ.	max	
FG Supply Voltage(V+)	2.2	--	6	Voltage
FG Output Current (If)	5	--	10	mA
FG Output (VL)	--	0.25	0.4	Voltage
FG Output (VH)	2.2	--	--	Voltage

## 5. Performance curve

