

Engineering Sample Specifications

CUSTOMER :
DESCRIPTION : **MagLev Blower Fan**
DIMENSIONS : **12X12X3 mm**
M O D E L : **UB3C3-100**
P/N :

ENGINEER	<i>Chen.kunhao</i> 06/11/07	APPROVAL	<i>ym 6/13</i>
SSR NO.	KT09600060	ISSUE DATE	06.11.2007
建準電機工業股份有限公司 SUNONWEALTH ELECTRIC MACHINE INDUSTRY CO., LTD TEL:886-7-7163069(41 LINES) FAX:886-7-7163086/87/88 WEB PAGE : http://www.sunon.com.tw			

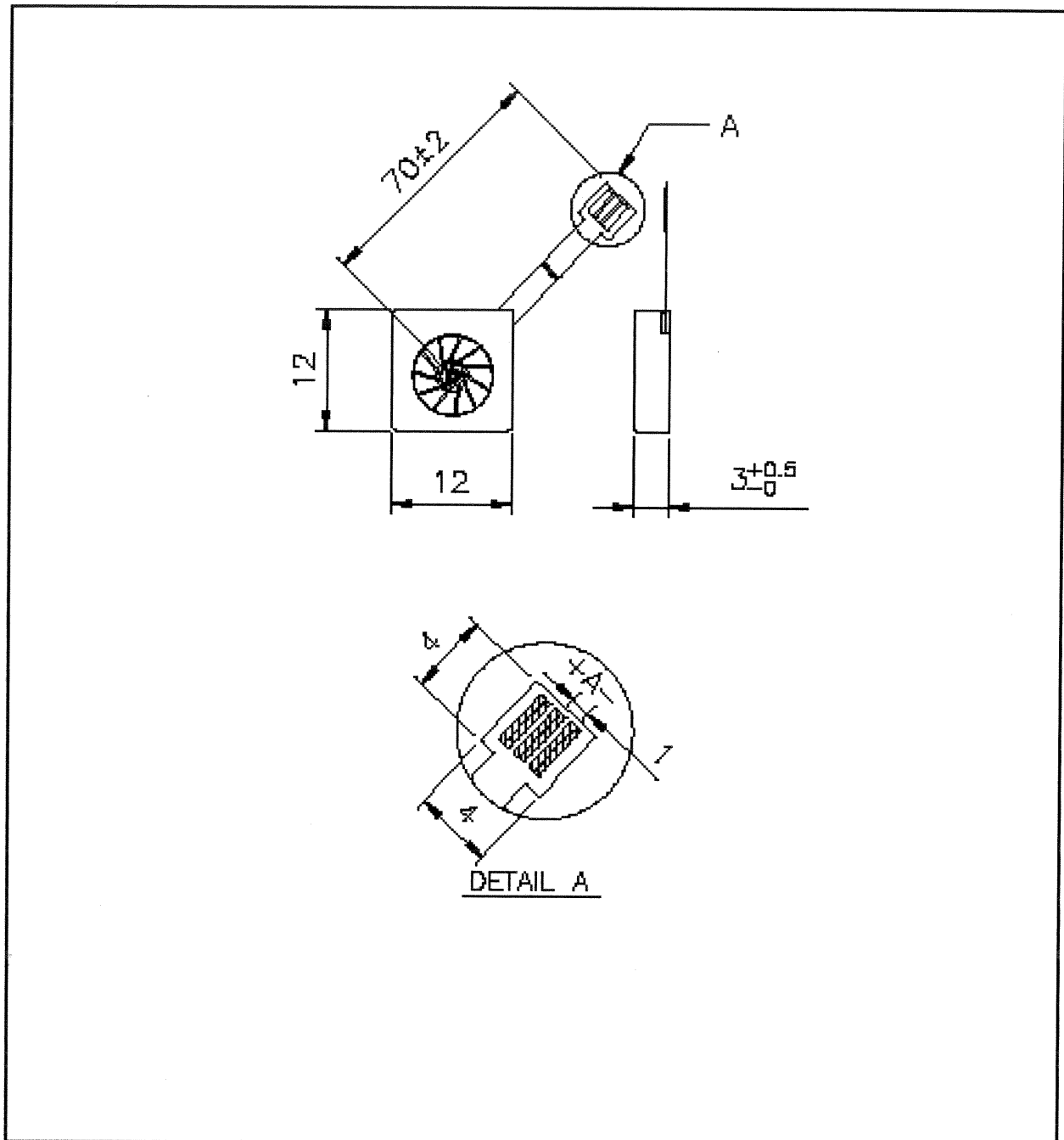
1. Construction

MOTOR DESIGN	DC brushless 4 pole motor design.
BEARING SYSTEM	Vapo bearing system
DIMENSIONS	See Page 4
MATERIALS OF FRAME	Thermoplastic LCP A130
MATERIALS OF FAN BLADE	Thermoplastic LCP A130
DIRECTION OF ROTATION	Counter-clockwise viewed from front of fan blade
Tolerance	±15% on rated power and current.
WEIGHT	0.55g

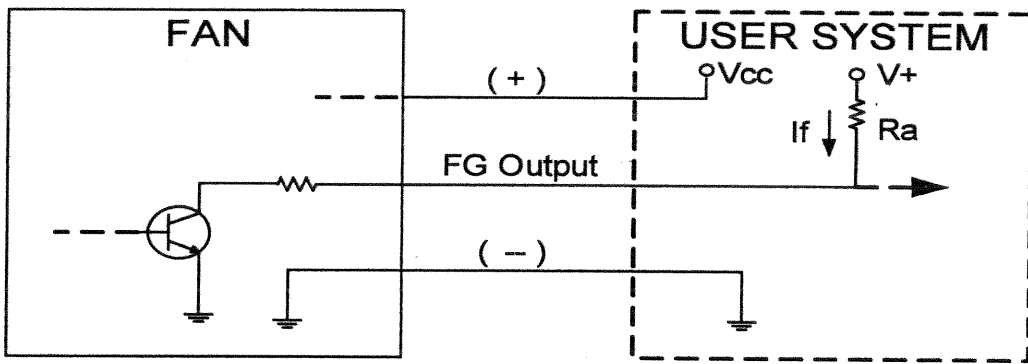
2. Rating

RATED VOLTAGE	3 VDC
STARTING VOLTAGE	2.0 VDC (25 deg. C POWER ON/OFF)
OPERATING VOLTAGE RANGE	2.0 ~ 3.5 VDC
RATED CURRENT	42 mA
RATED POWER CONSUMPTION	0.13 WATTS
AIR FLOW	2.00 l/min
STATIC PRESSURE	18.7 Pa
ACOUSTIC NOISE / 30cm	24.6 dB(A)
RATED SPEED	10000 RPM ± 30%
OPERATING TEMPERATURE	-10 to + 70 deg. C
STORAGE TEMPERATURE	-40 to + 70 deg. C

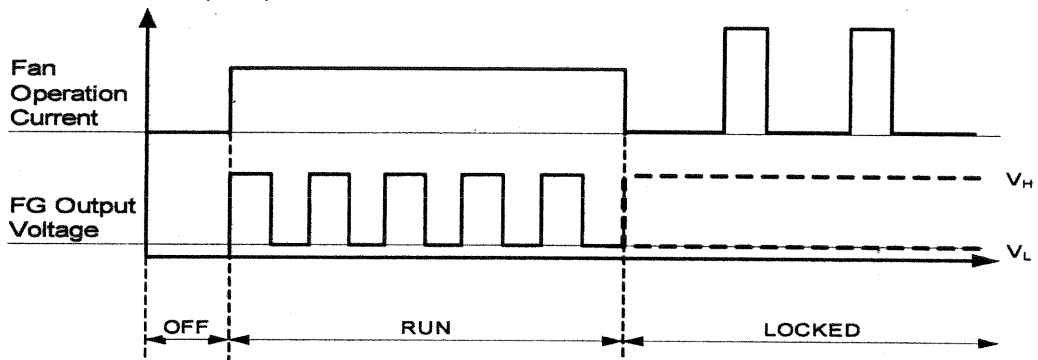
3. Dimensions



4. FG Signal



$$*Ra \geq V^+ / If (\text{max})$$



★Electrical Characteristics : (at $T_a = 25^\circ\text{C}$)

Parameter	Ratings			Unit
	min	typ.	max	
FG Supply Voltage(V+)	2	--	6	Voltage
FG Output Current (If)	5	--	10	mA
FG Output (VL)	--	0.25	0.4	Voltage
FG Output (VH)	2	--	--	Voltage

5. Performance curve

