



Falcon - FD24B3 - 031653 - No
 (Family) (Model) (Part #) (In Stock)

Electrical Specifications

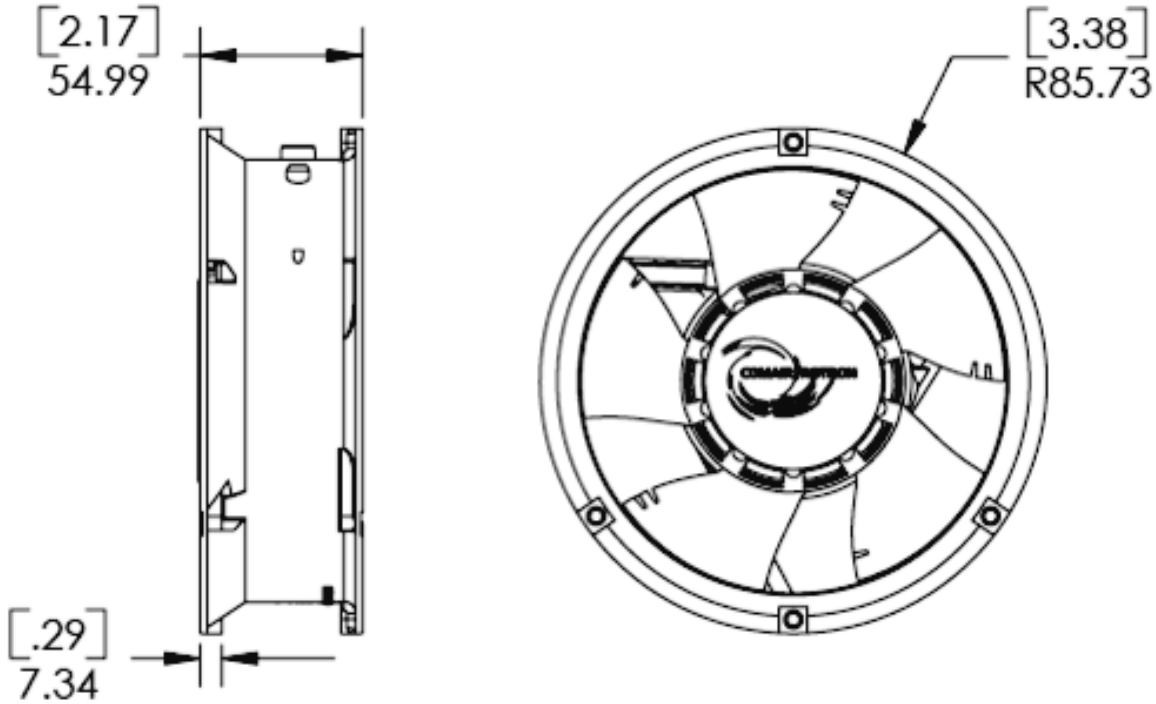
Operating Voltage:	24 Volts
Voltage Range:	12 - 28 Volts
Power Supply:	35.5 Watts
Line Current:	1.70 Amps
Locked Rotor Current	3.50 Amps
Nominal Speed:	3450 RPM

Mechanical Specifications

Dimensions:	6.8 x 6.8 x 2.2 in
Weight	29.64 oz
Max Airflow @ 0 in H ₂ O	300.0 CFM
Max Pressure @ 0 CFM	0.785 in H ₂ O
Noise	n/a



Mechanical Drawing



Phone: 858.348.6200
sales@comairrotron.com

Phone: +44.1527.520525
saleseurope@comairrotron.com

Phone: +86.21.52260581
salesasia@comairrotron.com

Print Date: Friday, April 18, 2008 at 01:09:59 - DC Fan Datasheet - Web Version 1.0 Rev. B



Fan Performance Curve

Fan Configuration Options

Falcon (Family)	FD24B3 (Model)	/ 031653 (Part #)	No (In Stock)	305 mm [12 inch] Leads (Features)
---------------------------	--------------------------	-----------------------------	-------------------------	---

Fan Speed:	3450 RPM	Fan Bearings:	Ball Bearings
Fan Airflow Direction:	Flow R (CCW Rotation)	Fan Termination:	Leads

Fan Monitoring Options: No Fan Monitoring Options Selected

Fan Speed Control Option: No ThermaPro-V Fan Speed Control Options Selected

Environmental Protection Options: No Enviroshield Options Selected

Comair Rotron, Inc.
Phone: 858.348.6200
sales@comairrotron.com

Comair Rotron Europe, Ltd.
Phone: +44.1527.520525
saleseurope@comairrotron.com

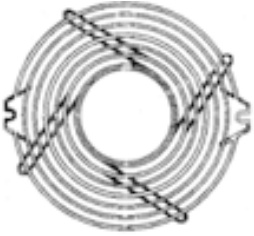
Comair Rotron Fan Company Ltd.
Phone: +86.21.52260581
salesasia@comairrotron.com

Print Date: Friday, April 18, 2008 at 01:09:59 - DC Fan Datasheet - Web Version 1.0 Rev. B



Accessories [\(Click on part number for detailed drawing.\)](#)

551199 Finger Guard



Comair Rotron, Inc.
Phone: 858.348.6200
sales@comairrotron.com

Comair Rotron Europe, Ltd.
Phone: +44.1527.520525
saleseurope@comairrotron.com

Comair Rotron Fan Company Ltd.
Phone: +86.21.52260581
salesasia@comairrotron.com

Print Date: Friday, April 18, 2008 at 01:09:59 - DC Fan Datasheet - Web Version 1.0 Rev. B