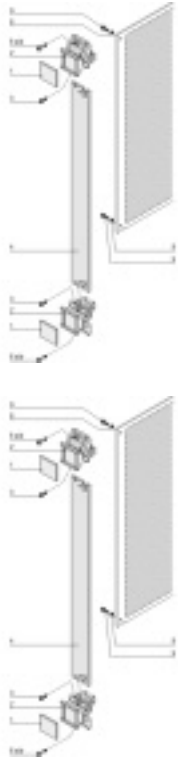


Plug-in units shielded with Cantilever extractor handle, type 2
[Print page](#)

Article number: 20817-869

- Unshielded



Delivery comprises: kit

Item	Qty	Description
1	2	Identification plate, Al, 1.5 mm, anodised, cut edges plain
2	2	Extractor handle, trapeziform, type 2, lever: PPE, light grey, RAL 7035, knot: Zn die-cast, zinc-plated
3	2	Flathead screw M2.5 x 6, nickel-plated
4	1	Front panel, Al, 2.5 mm front: anodised, rear: iridescent green chromated
6a	4	Pozidrive collar screw M2.5 x 12.3, St, nickel-plated
6b	4	Pozidrive collar screw M2.5 x 11, St, nickel-plated
7	2	Sleeve, PA, grey
8	2	Washer A 2.7, DIN 125
9	2	Panhead screw with Torx M2.5 x 6, St, nickel-plated

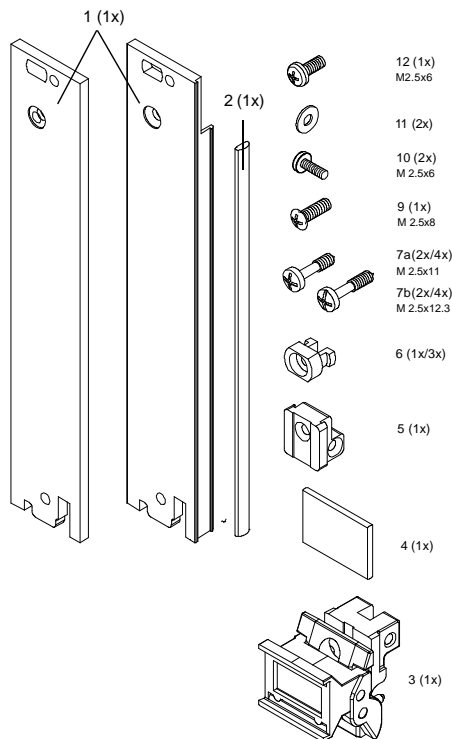
Technical data:

Height	Width
6 U	6 HP

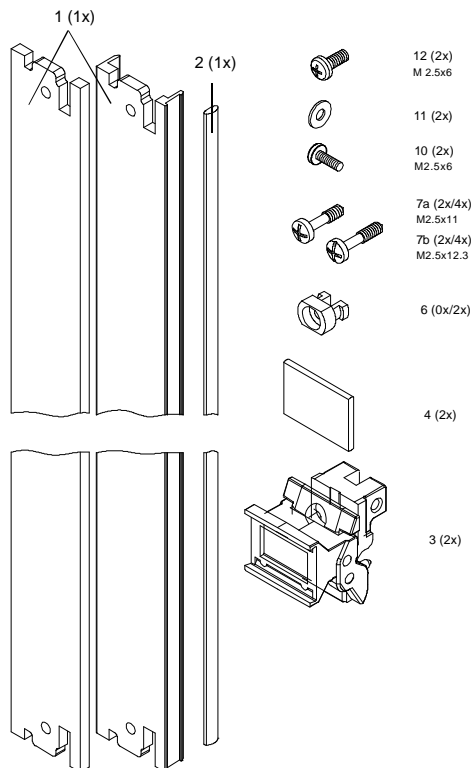
Further Information:

	User Manual
	Reference project: Integrated System

3HE / 3U



6HE / 6U



Montageanweisung

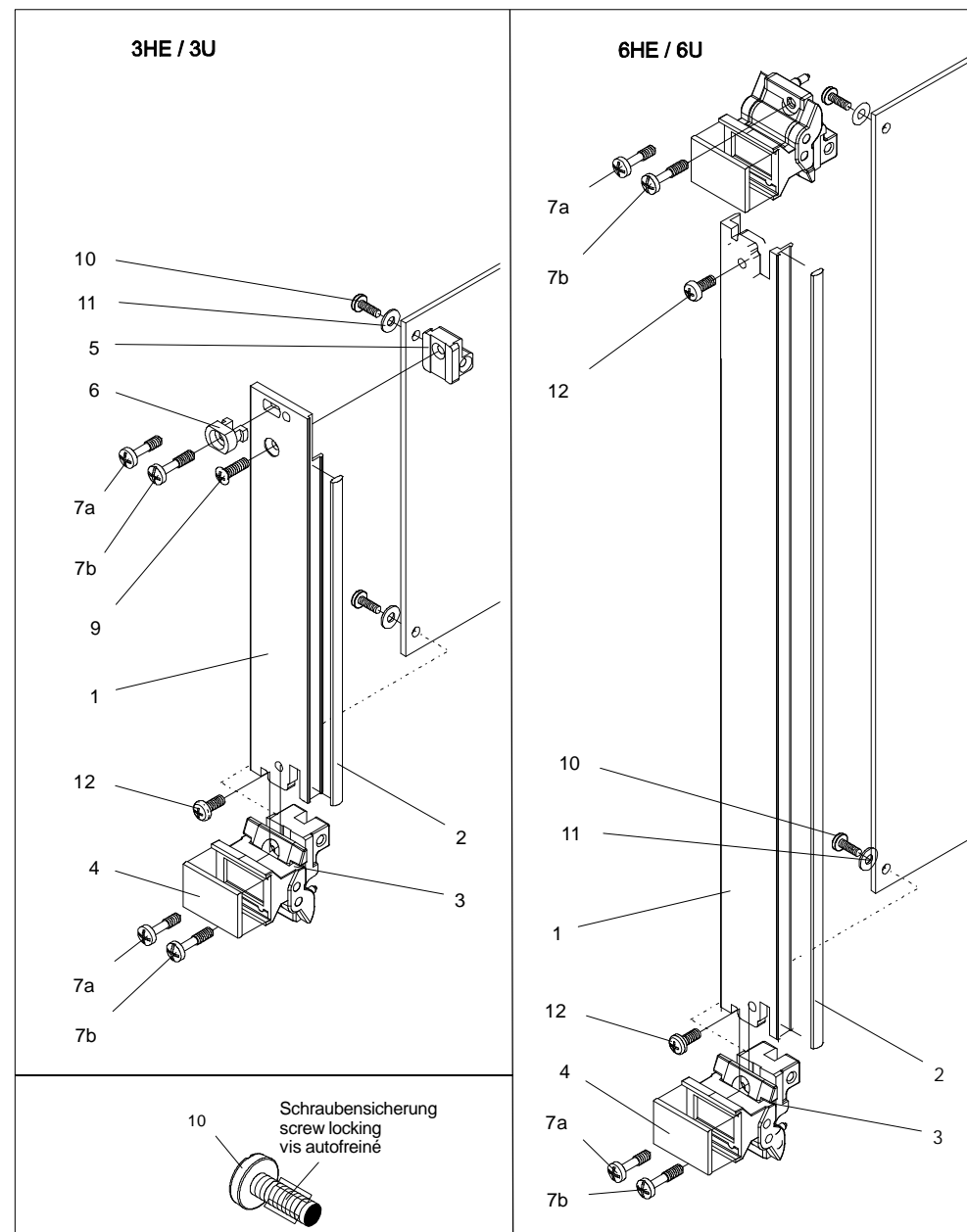
Steckbaugruppe mit Aushebegriff in Trapezform (Typ2)

Assembly instruction

Plug-in unit with extractor handle type 2

Instruction de montage

élément modulaire avec poignée d'extraction type 2



Halsschraube / collar screw / vis à gorge:

	7a (M2.5x11)	7b (M2.5x12.3)	7b (M2.5x12.3)
<p>Zentrierpin alignment pin pion de centrage</p>	<p>L= 11.0</p>	<p>L= 12.3</p>	<p>L= 12.3</p>
	<p>L= 11.0</p>	<p>L= 12.3</p>	<p>L= 12.3</p>

Montageanleitung

Steckbaugruppe mit
Aushebegriff in
Trapezform (Typ2)

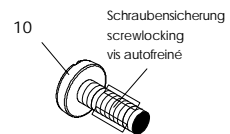
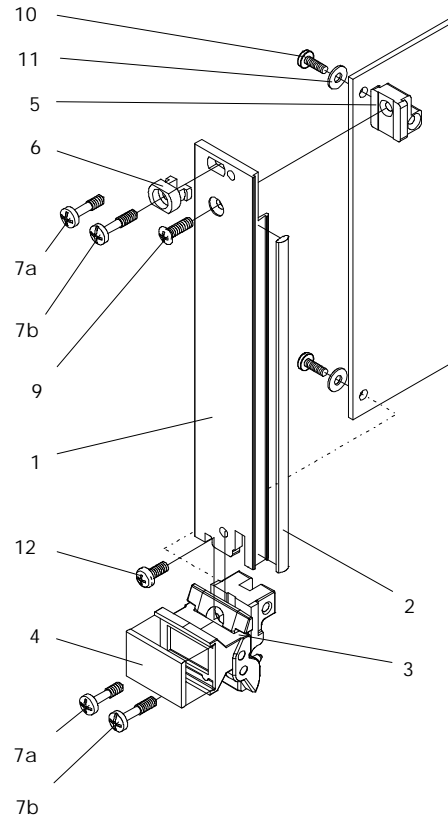
Assembly instruction

Plug-in unit with
extractor handle
type 2

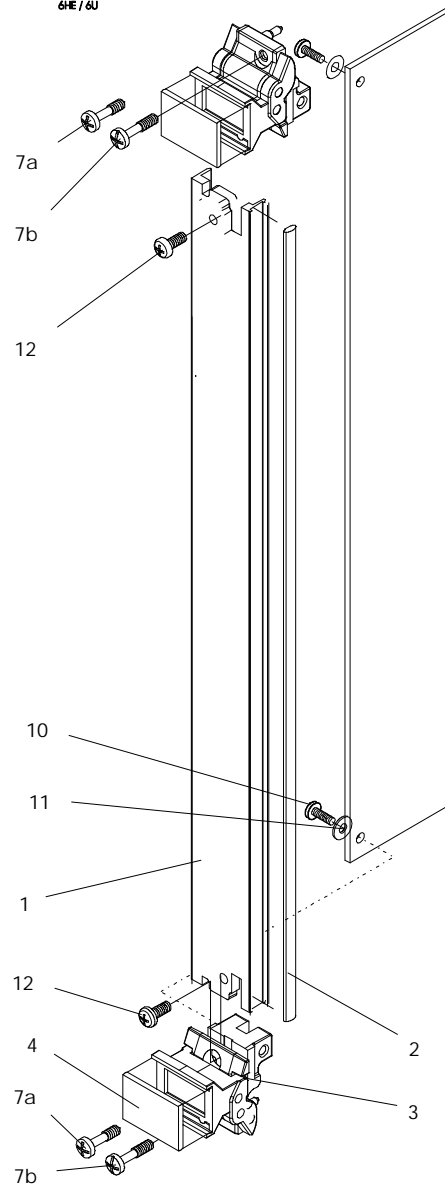
Instruction de montage

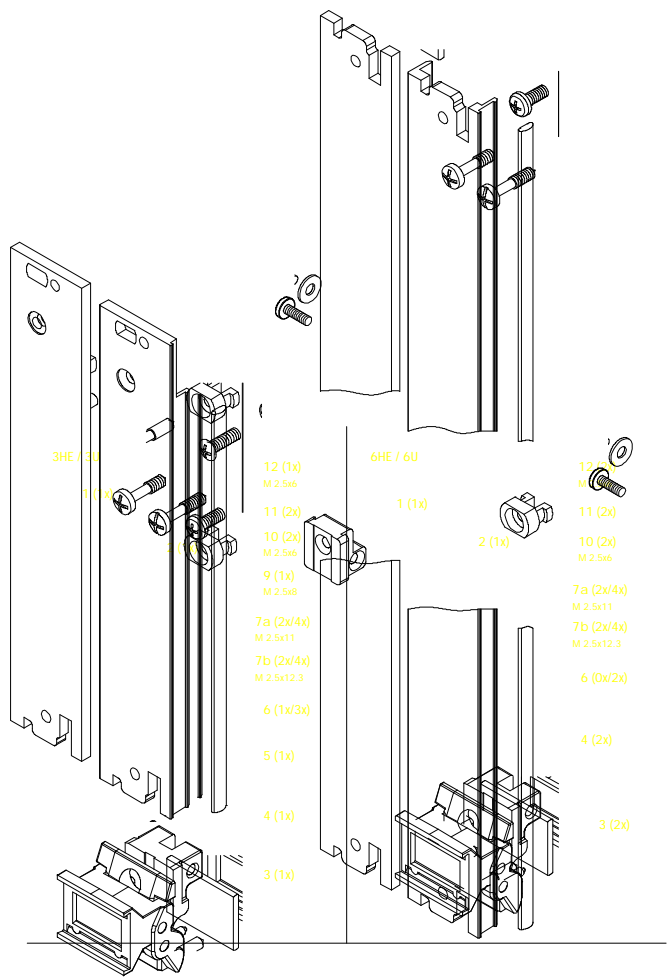
élément modulaire avec
poignée d'extraction
type 2

3HE / 3U



6HE / 6U

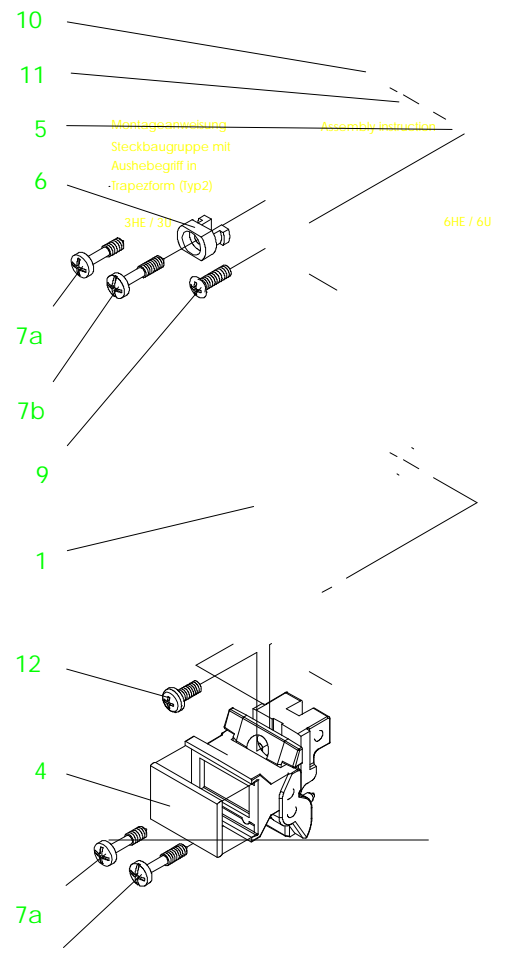




- 12 (1x)
M 2.5x6
- 11 (2x)
- 10 (2x)
M 2.5x6
- 9 (1x)
M 2.5x8
- 7a (2x/4x)
M 2.5x11
- 7b (2x/4x)
M 2.5x12.3
- 6 (1x/3x)
- 5 (1x)
- 4 (1x)
- 3 (1x)

- 6HE / 6U
- 1 (1x)
- 2 (1x)
- 10 (2x)
M 2.5x6
- 7a (2x/4x)
M 2.5x11
- 7b (2x/4x)
M 2.5x12.3
- 6 (0x/2x)
- 4 (2x)
- 3 (2x)

- 12 (1x)
M 2.5x6
- 11 (2x)
- 10 (2x)
M 2.5x6
- 7a (2x/4x)
M 2.5x11
- 7b (2x/4x)
M 2.5x12.3
- 6 (0x/2x)
- 4 (2x)
- 3 (2x)



Montageanweisung
Steckbaugruppe mit
Aushebegriff in
-Trapezform (Typ2)

Assembly Instruction

Halbschraube / collar screw / vis à gorge:

	7a Øx2.5x11	7b Øx2.5x12.3	7b Øx2.5x12.3

Justierung
ajustement
pointée/centrage