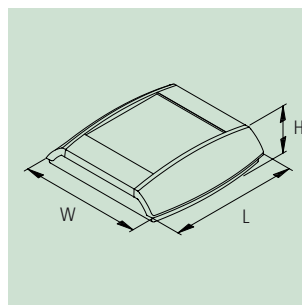
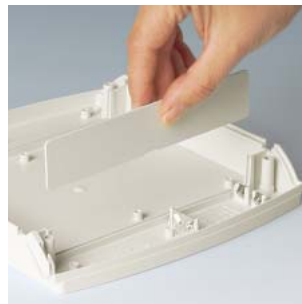




Off-white, RAL 9002



THE PRODUCT

You can hardly present your communication and network components in a more attractive way.

The new DIATEC is an attractive eye-catcher in your direct living and working environment. But this innovative range of cases also offers many functional benefits.

All details are designed to match each other perfectly. Depending on requirements, different equipment options and connections are possible.

YOUR ADVANTAGE

Modern, flat enclosure design, ideal for table top and wall-mounting applications.

Plain, recessed area on the bottom part for installation and protection of interfaces, screwed cable glands, plug-in connections etc.

Easy, invisible wall-mounting.

Recessed operating area for the protection of the membrane keyboards and operating elements.

Hinged lid in case colour or transparent for covering the dialogue zone as accessory.

Alternatively without/with battery operation for 2 x 1.5 V mignon-cells (AA) or 1 x 9 V flat battery (PP3).

Separate slot-in panels can be used as interior partitions, for example to guard the electronics when changing batteries.

APPLICATIONS

Systems for data collection on the job.

Access and security controls. Peripheral equipment for computers, data system engineering.

Measuring and controlling.

Medical field and laboratory technology.

PROTECTION CLASS IP 40

MAX. SIZE OF PCB

DIATEC	L x W in mm	
	bottom part	top part
S	120 x 180	120 x 180
M	180 x 180	180 x 180

INFO-BOX

Innovative technology

The bottom part can be mounted directly on the wall. It is secured either using elongated holes or by the corners of the case. A particular advantage is the separation of the electronics area using optional slot-in panels. This allows the complete pre-assembly of the electronics unit. The technician on site only has to mount the unit on the wall and connect up the relevant leads. Connection can be effected from the left and/or from the right-hand side. The actual case does not have to be opened to do this, only the snap-on side trims. If required, the trims can also be locked, thus preventing unauthorised access.

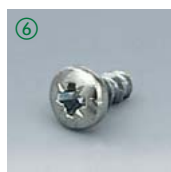
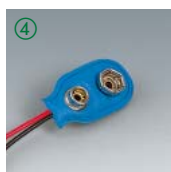


ENCLOSURES*1

DIATEC	Outside dim. in mm			Equipment (dim. in mm) max. dim. keypad	Material	Part-No.
	L	W	H			
S	200	210	48	127.60 x 119.70	ABS (UL 94 HB)	A 90 93 107
M	200	270	48	127.60 x 179.60	ABS (UL 94 HB)	A 90 94 107

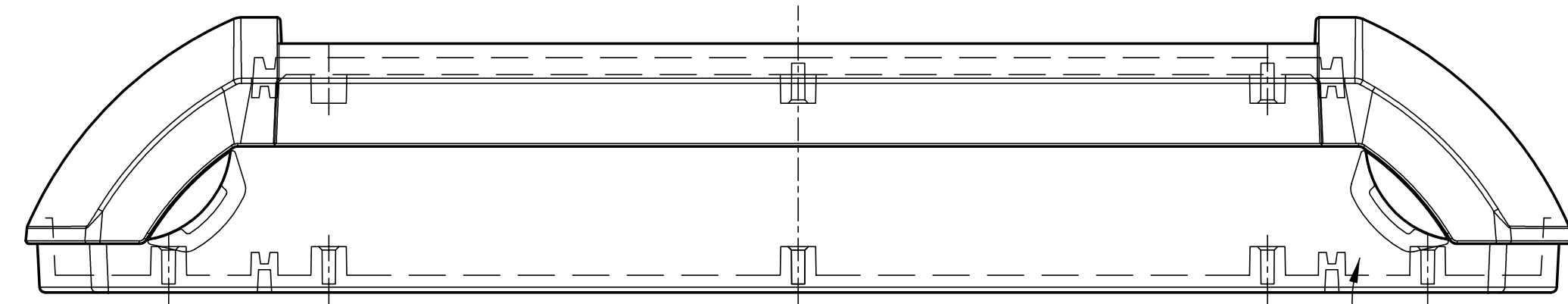
ACCESSORIES

Article	For enclosure DIATEC	Version / Application	Part-No.	
			ABS, off-white	PC, transparent
① Hinged lid	S	2 mounting holes \varnothing 4.2 mm necessary, 1 set	A 91 93 127	A 91 93 121
	M	2 mounting holes \varnothing 4.2 mm necessary, 1 set	A 91 94 127	A 91 94 121
② Slot-in panel	S, M	ABS, off-white, 156 x 30 x 3 mm, 1 pc	A 91 94 007	
③ Set of battery clips	S, M	tin-plated, for 2 x 1.5 V mignon cells (AA)	A 91 90 002	
④ Plug-in contact	S, M	for one 9 V flat battery (PP3)	A 91 60 003	
⑤ Non-slip pads	S, M	transp., self-adhesive, ensure reliable desk-top positioning, 1 pair	A 92 12 330	
⑥ Self-tapping screw	S, M	\varnothing 3 x 6 mm, for mounting PCBs, 1 pc	A 03 06 031	

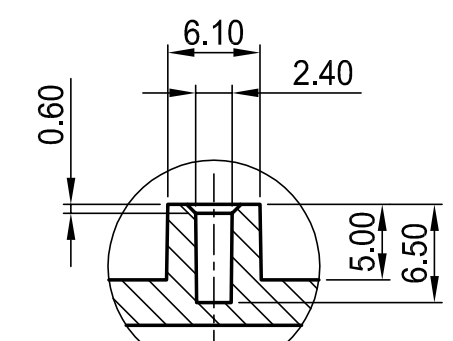
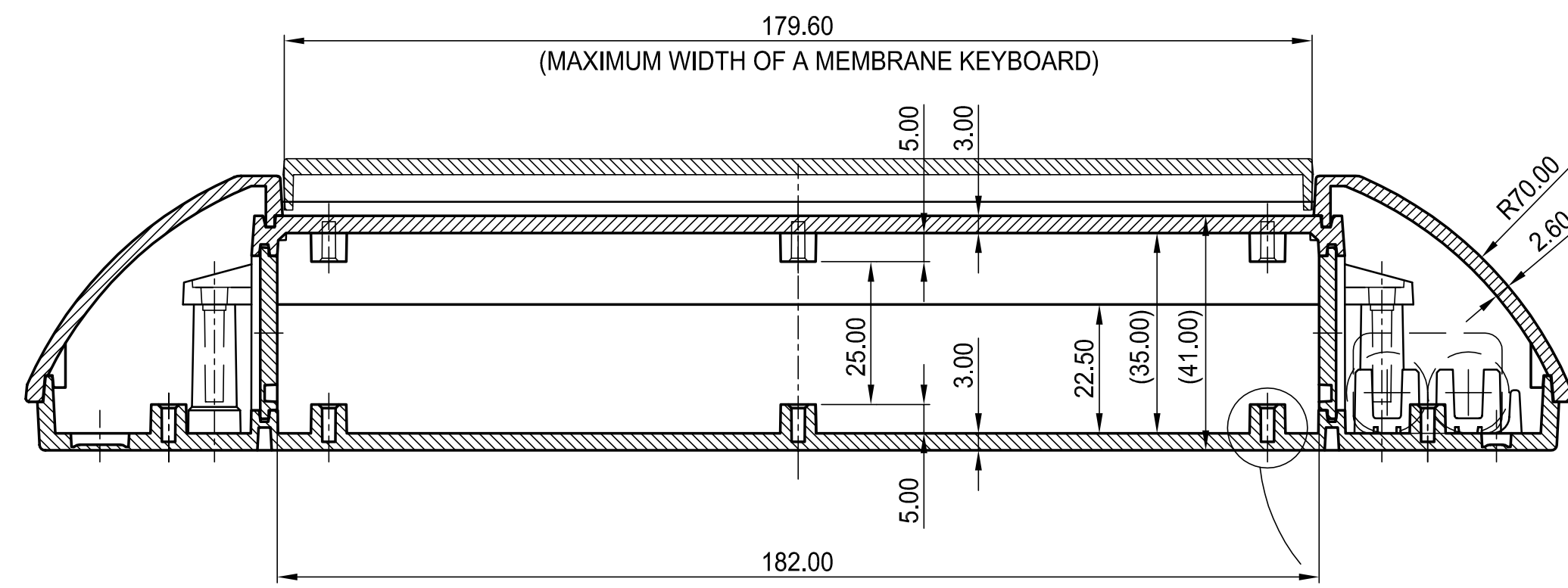


*1 Supply: Each 1 bottom and top part, each 1 trim left and right side incl. 2 locking elements, assembly kit.

NEW PRODUCT

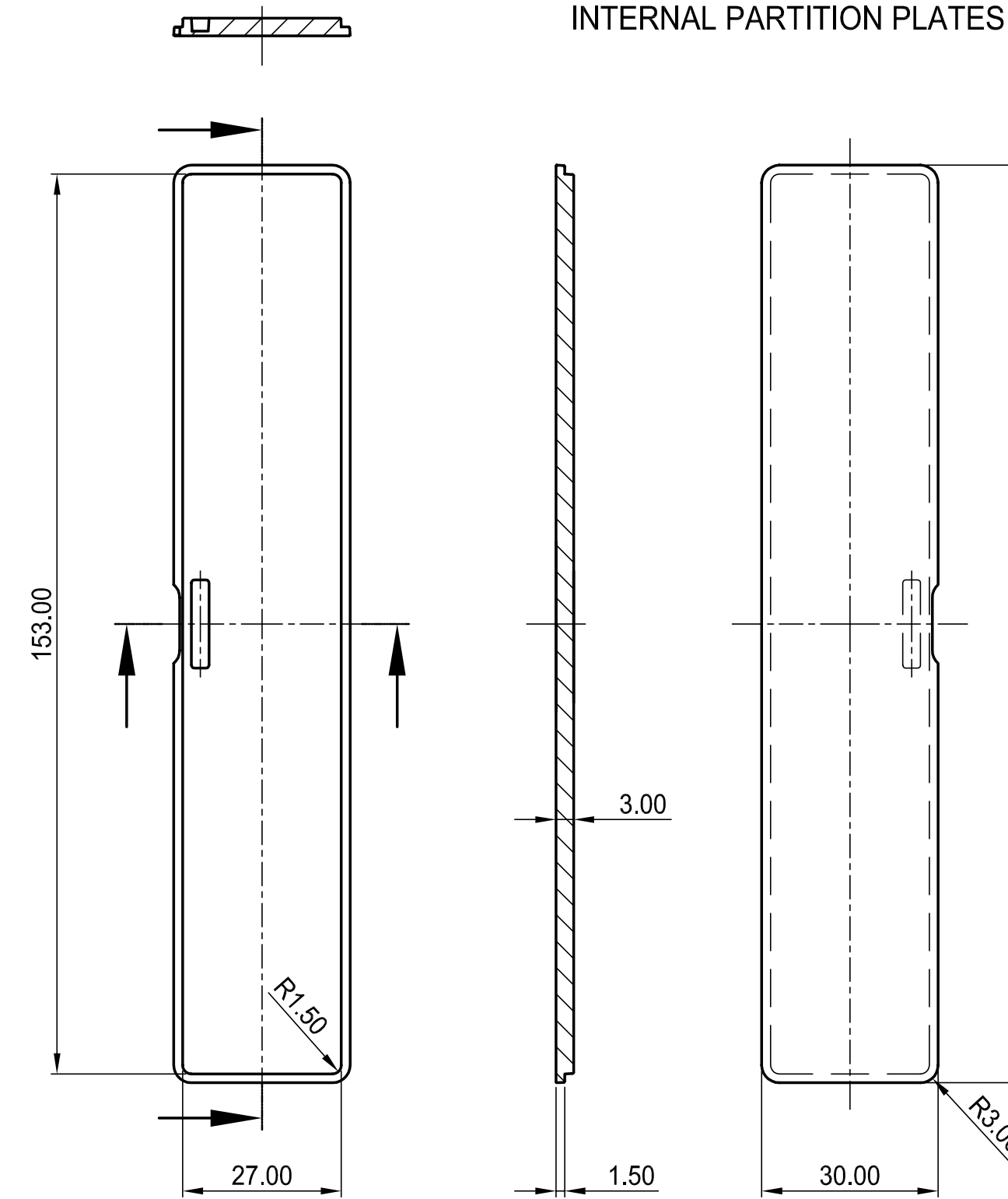


FIXING ELEMENTS FOR THE SNAP MECHANISM

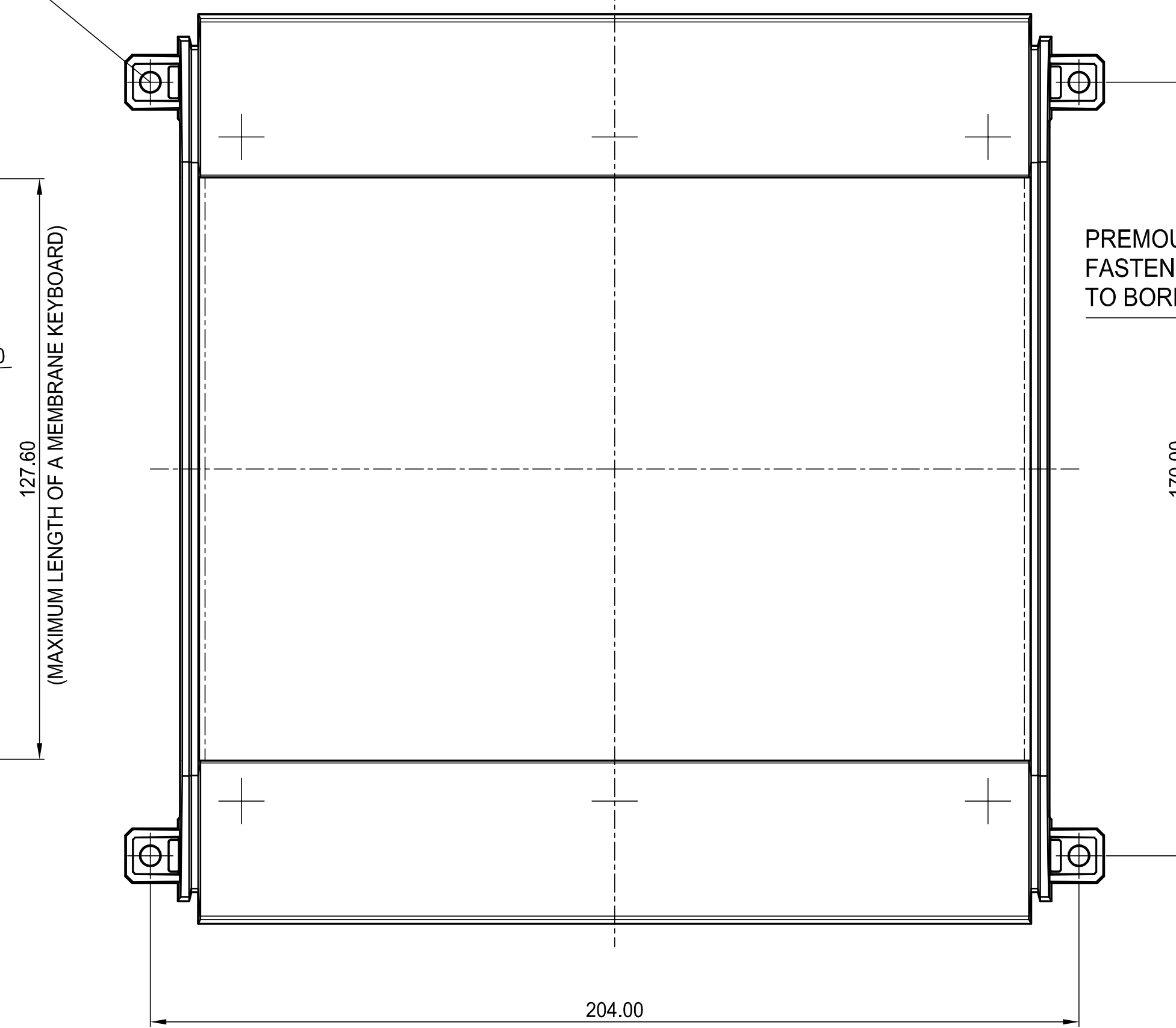
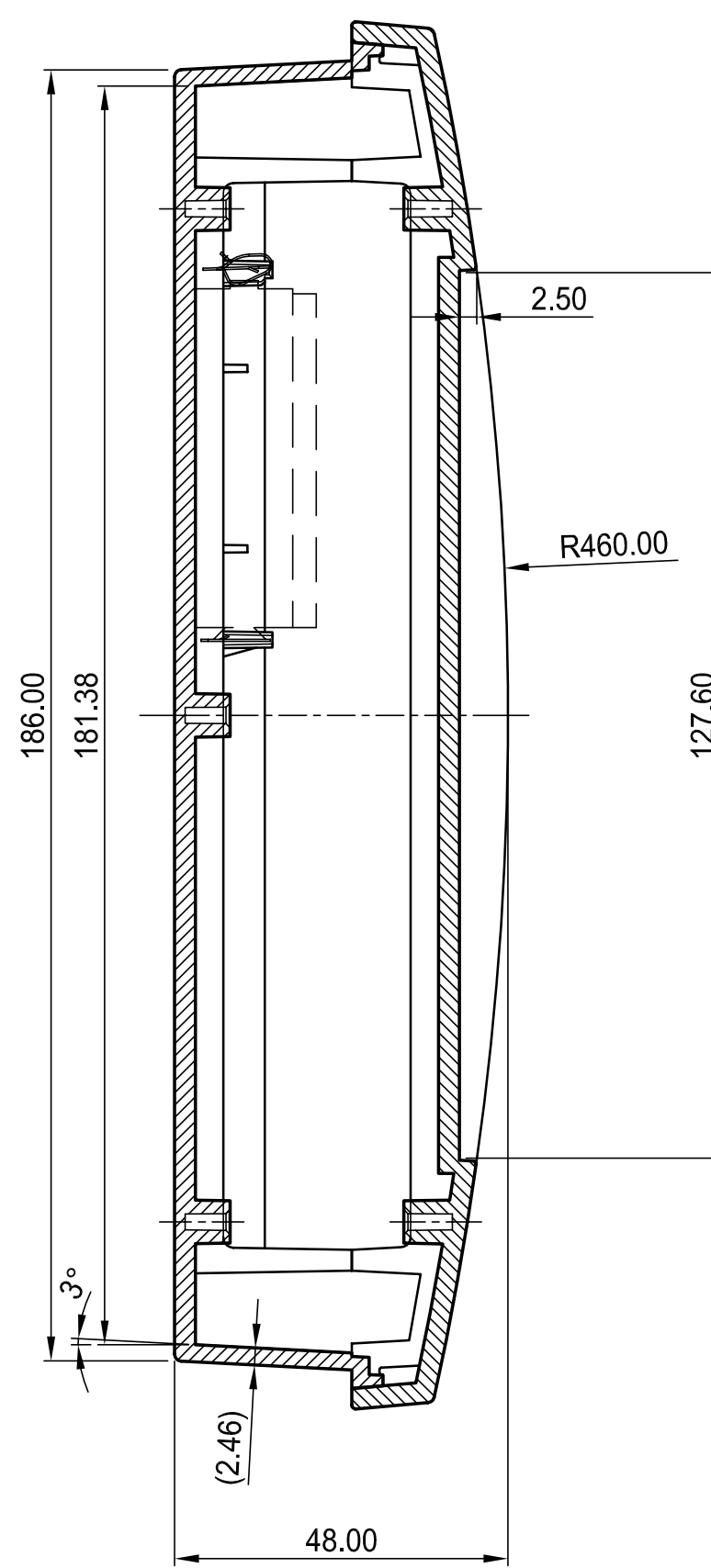


USE SELFTAPPING SCREWS E.G. 3 x 6 MM CROSSHEADED (A 03 06 031)

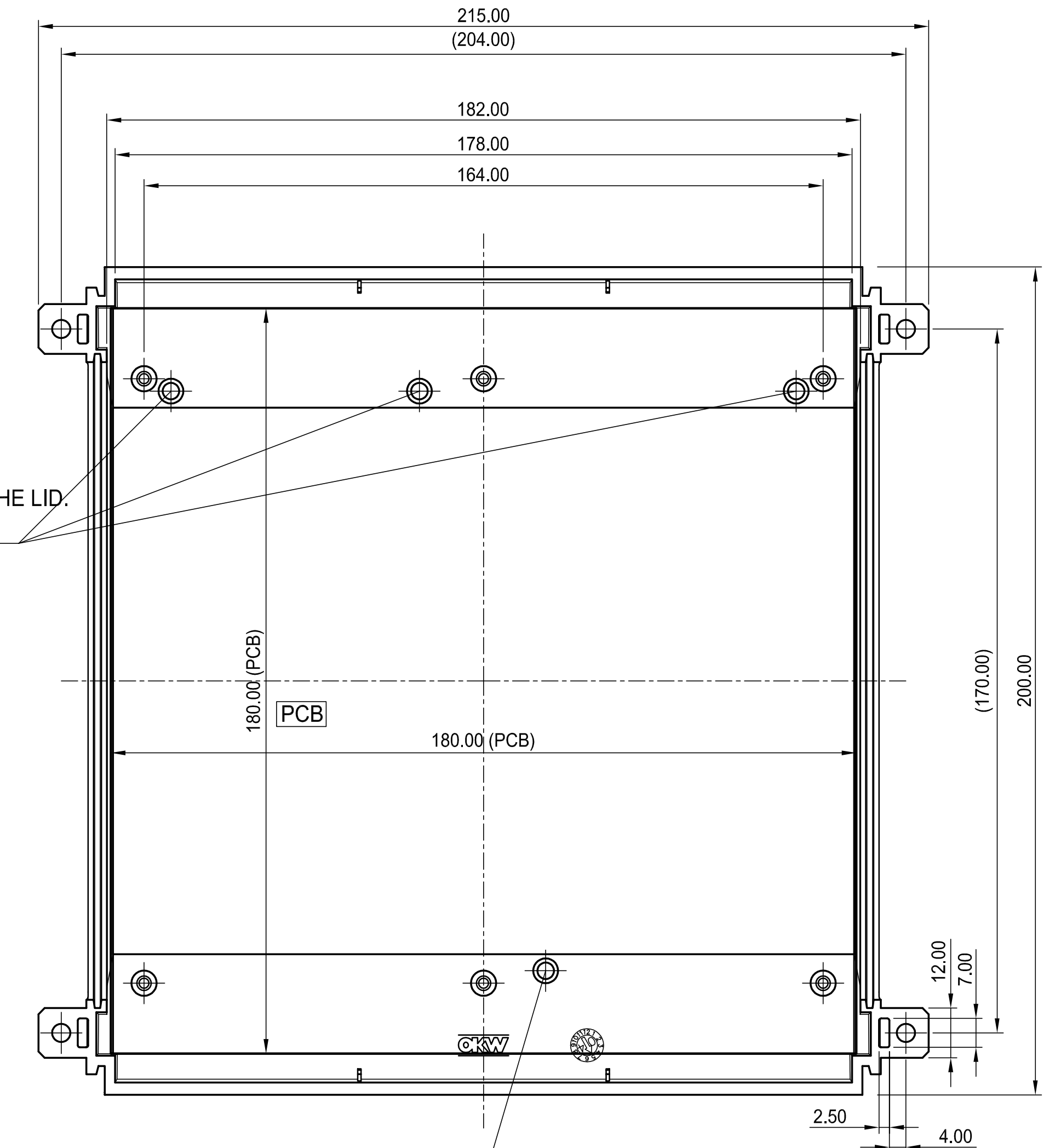
INTERNAL PARTITION PLATES



4 SELFTAPPING SCREWS 4 x 16 MM CROSSHEADED COME WITH THE ASSEMBLY KIT



PREMOULDED HOLES FOR FASTENING THE LID. TO BORE UP WITH D 4.0.

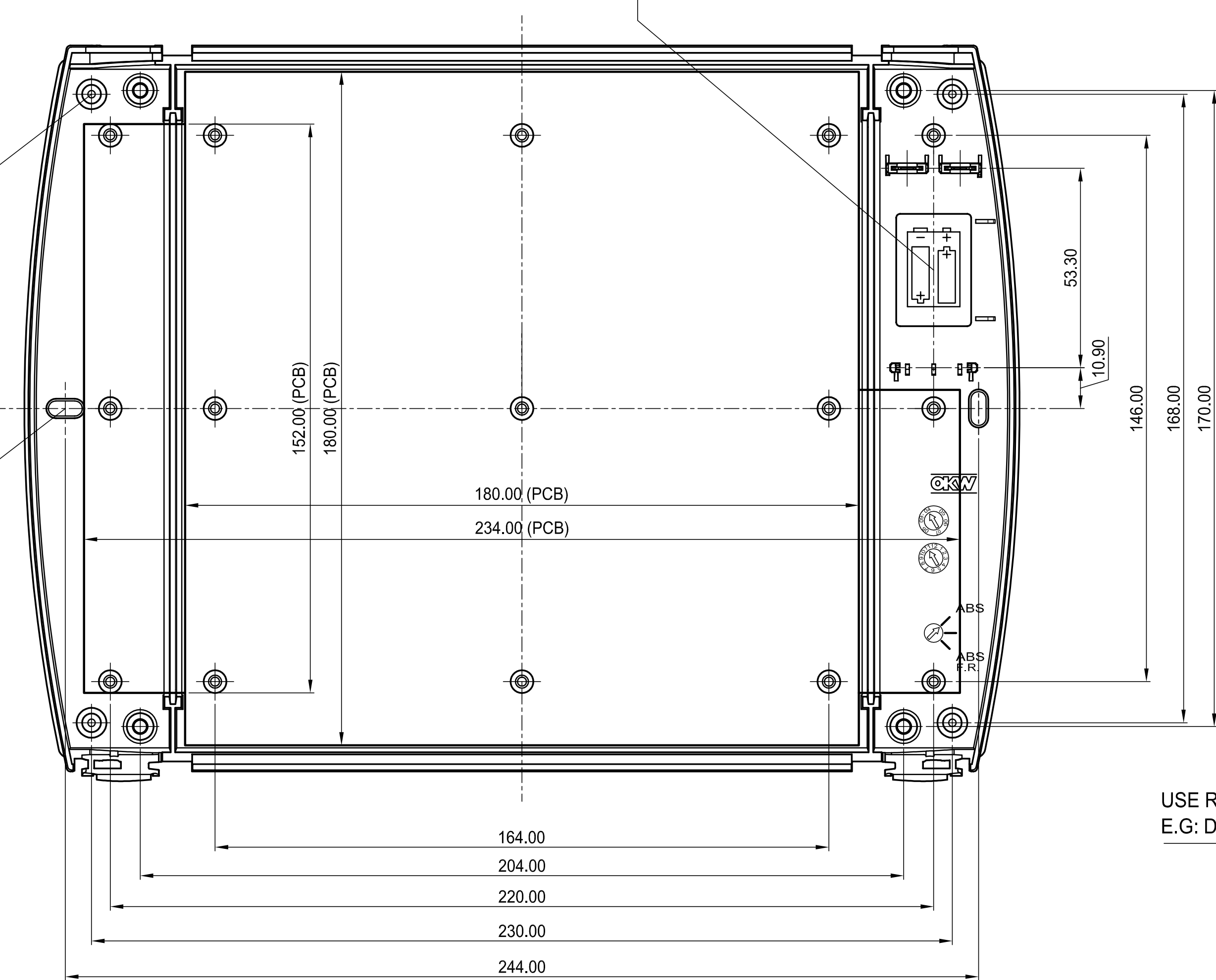


PREMOULDED HOLES FOR FIXING THE HINGED LID. TO BORE UP WITH D 4.0. USE BUSH OF BRASS M3 x 4 (AS 03 69 15) AND A SCREW M3 x 8 (AS 05 07 47)

SET OF BATTERY CLIPS FOR TWO 1.5V AA-ROUND-CELLS (A 91 90 002) PLUG IN CONTACT FOR ONE 9V FLAT-BATTERY (A 91 60 003)

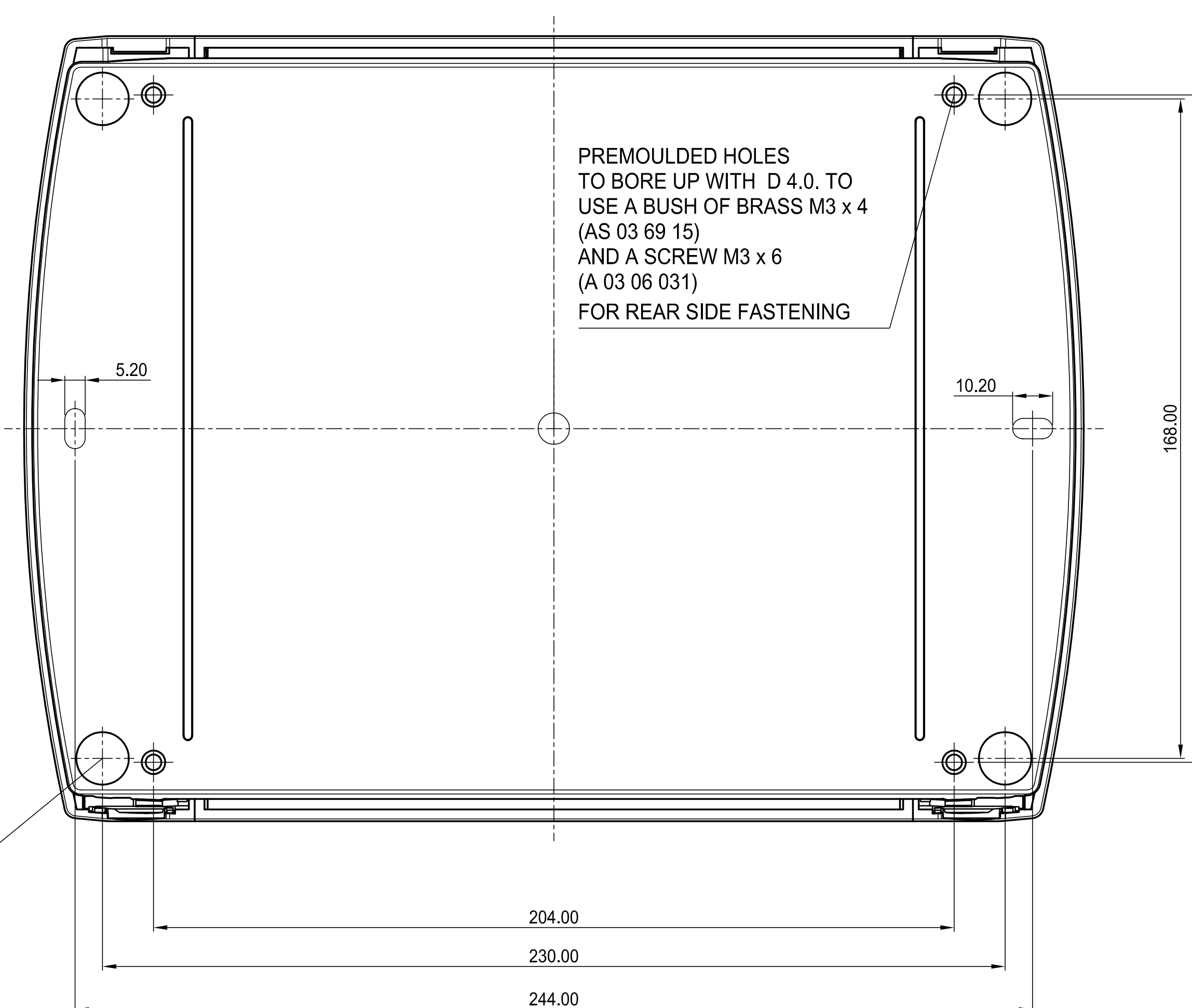
USE COUNTER SUNK SCREWS (E.G. SPAX)

USE SCREWS ACC. TO DIN 7981 (E.G. 4.2 or 4.8 x 25 MM)



USE RUBBER FEET E.G. D12 x 3.8 MM (A 92 12 330)

PREMOULDED HOLES TO BORE UP WITH D 4.0. TO USE A BUSH OF BRASS M3 x 4 (AS 03 69 15) AND A SCREW M3 x 6 (A 03 06 031) FOR REAR SIDE FASTENING



<p>Informationskopie wird nicht aktualisiert</p>		<p>Copy for information will not be updated</p>		<p>Stand: 11.02.04</p>	<p>Material: 028 0001 1130</p>
<p>Technische Änderungen vorbehalten. Irrtümer und Druckfehler begünstigen keine Ansprüche auf Schadenersatz. Wichtige Größen mußte direkt mit dem aktuellen Produkt abstimmen.</p>	<p>Subject to technical modification without prior notice. Typographical and other errors do not justify any claim for damages. All dimensions should be verified using an actual moulded part.</p>	<p>Reserviert alle Rechte. Nachdruck ist ohne schriftliche Genehmigung des Verlegers ausdrücklich untersagt.</p>	<p>Reservés tous droits. Toute réimpression ou toute réimpression ne justifie aucune demande d'indemnisation. Nous prions les clients de vérifier les dimensions des composants avec les modèles avant le montage.</p>	<p>Die Firma Diotec GmbH ist ein Unternehmen der Diotec AG. Es darf nicht als Tochterunternehmen der Diotec AG angesehen werden.</p>	<p>Diotec AG</p>
<p>GEHÄUSE SYSTEME</p>		<p>DIATEC M COMPLETE ENCLOSURE A9094**</p>		<p>Z (PZ1)</p>	
<p>1:1</p>		<p>1:1</p>		<p>1:1</p>	