



THE PRODUCT

The round form of the head of the DATEC-CONTROL range of enclosures allows the installation of larger displays with graphics capability.

Particular attention was also paid to the ergonomics of the new design.

The cases are thus very comfortable to hold and easy to operate.

YOUR ADVANTAGE

Easy to use with a small hand grip area.

Installation of standardised LCDs possible (contact addresses on request).

Display windows protect the fitted display modules and guarantee a high protection class in the display area. Easy assembly with included adhesive foil.

In case of high power requirements, up to 5 AA batteries can be used (M/L).

Lid of battery compartment optionally with latch and / or fixed by screws (XS/S). Push-on end cover can be permanently fixed if needed.

Space for PCMCIA card (M/L), protected mounting – easy access.

APPLICATIONS

Mobile data collection and transfer via modem, ISDN or infra-red technology.

Measuring and control technology. Digital control technology.

PROTECTION CLASS

With sealing kit (acc.) and, in version II, in conjunction with the adhesive foil for the display window, protection class **IP 65** is possible with XS and S, as well as **IP 54** with M and L.

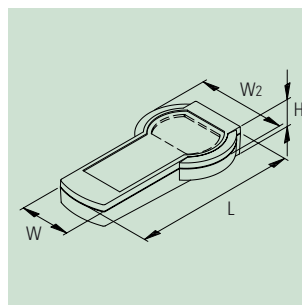
MAX. SIZE OF PCB

DATEC-CONTROL	L x W/W ₂ in mm	
	base part	top part
XS	190 x 46/82	150 x 47/83
S	214 x 62/106	213 x 60/106
M	207 x 80/118	113 x 78
L	230 x 80/132	115 x 78

(without battery compartment, cutouts for pillars not taken into consideration)



Off-white, RAL 9002
 Black, RAL 9005



DATEC-CONTROL XS/S

	Outside dim. in mm		
	Length	Width	Height
XS	200	58/94	39.5
S	228	72/117	47

	Optional battery compartments
XS	2 x 1.5 V mignon cells (AA)
	3 x 1.5 V mignon cells (AA)
	1 x 9 flat battery (PP3)
S	4 x 1.5 V mignon cells (AA)
	1 x 9 V flat battery (PP3)



DATEC-CONTROL M/L

	Outside dim. in mm		
	Length	Width	Height
M	243	90/130	60
L	266	90/144	60

	Optional battery compartments
M/L	4 x 1.5 V mignon cells (AA)
	5 x 1.5 V mignon cells (AA)



ENCLOSURES

Part-No.		DATEC-CONTROL	Outside dim. in mm			Version / Equipment (dim. in mm)		Material	
off-white	black		L	W/W ₂	H	battery comp.	display cutout w _x l		
A 90 76 107	A 90 76 109	XS	200	58/94	39.5	I	• (see accessories ①)	(no cutout)	ABS (UL 94 HB)
A 90 76 207	A 90 76 209								
A 90 77 107	A 90 77 109	S	228	72/117	47	I	• (see accessories ①)	(no cutout)	ABS (UL 94 HB)
A 90 77 207	A 90 77 209								

ENCLOSURE SET

Part-No.		Enclosure set DATEC-CONTROL	Equipment / Supply
off-white	black		
A 90 76 157	A 90 76 159	XS	1 case vers. I with machining*6, 1 station, 1 male contact (station), 1 female contact (case)
A 90 76 257	A 90 76 259		1 case vers. II with machining*6, 1 station, 1 male contact (station), 1 female contact (case)
A 90 77 157	A 90 77 159	S	1 case vers. I with machining*6, 1 station, 1 male contact (station), 1 female contact (case)
A 90 77 257	A 90 77 259		1 case vers. II with machining*6, 1 station, 1 male contact (station), 1 female contact (case)

ACCESSORIES

Part-No.	Article	For enclosure DATEC-CONTROL	Version / Application	
A 91 76 128	① Battery compartment	XS	ABS, for 2 x 1.5 V mignon cells (AA) or 1 x 9 V flat battery (PP3)	
A 91 76 158		XS	ABS, for 3 x 1.5 V mignon cells (AA) in accordance with IEC LR6 standard!	
A 91 74 004		S	ABS, for 4 x 1.5 V mignon cells (AA)	
A 91 77 310		S	ABS, for 1 x 9 V flat battery (PP3)	
A 91 76 007	② Set of battery clips	XS	nickel-plated, for 2 x 1.5 V mignon cells (AA)	
A 91 76 008		XS	nickel-plated, for 3 x 1.5 V mignon cells (AA)	
A 91 61 001		S	tin-plated, for 4 x 1.5 V mignon cells (AA)	
A 91 74 006		S	for 1 x 9 V flat battery (PP3)	
A 91 60 003	③ Plug-in contact	XS, S	for 1 x 9 V flat battery (PP3)	
A 91 76 006	④ Sealing kit	XS	for sealing up to IP 65	
A 91 77 006		S	for sealing up to IP 65	
A 91 76 001	⑤ Display window*2	XS	transparent acrylic glass, without printing, as a set with adhesive foil	
A 91 77 001		S	transparent acrylic glass, without printing, as a set with adhesive foil	
A 91 76 108	⑥ Protector	XS	Elastomer, volcano, absorbs impacts and for surface protection	
A 91 77 008		S	Elastomer, volcano, absorbs impacts and for surface protection	
off-white	black	⑦ Station*7	ABS, desk case application, for charging electronics etc.	
A 91 76 137	A 91 76 139			XS
A 91 77 137	A 91 77 139		S	ABS, desk case application, for charging electronics etc.
A 92 26 337	A 92 26 339		XS	ABS, for secure storage of the cases
A 92 26 227	A 92 26 229	S	ABS, for secure storage of the cases	



*1 installation on existing fixing pillars in the top part or on the PCB; for a list of matching standard LCDs and contact addresses, please see Internet www.okw.com, Products section, link to Product information

*2 with individual screen printing, adapted to your visible display cutout as well as to cover the area of adhesive foil, on demand

*6 when using the 6-pin contacts and for reliable contacting

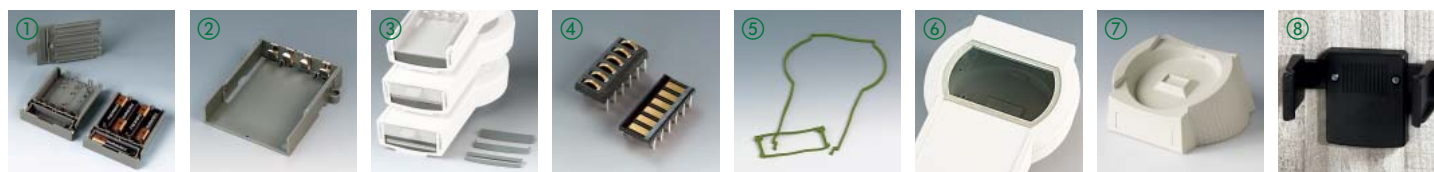
*7 station may be used with/without contacts; cover for use without contacts supplied with station, contacts as accessories (page 21)

ENCLOSURES

DATEC-CONTROL	Outside dim. in mm			Version / Equipment (dim. in mm)		Material	Part-No.		
	L	W/W ₂	H	battery compartment	display cutout w _{xL}		off-white	black	
M	243	90/130	60	I	• (see acc. ①)	(no cutout)	ABS (UL 94 HB)	A 90 78 107	A 90 78 109
	243	90/130	60	II	• (see acc. ①)	71 / R44 x 51* ¹	ABS (UL 94 HB)	A 90 78 207	A 90 78 209
L	266	90/144	60	I	• (see acc. ①)	(no cutout)	ABS (UL 94 HB)	A 90 79 107	A 90 79 109
	266	90/144	60	II	• (see acc. ①)	73 / R49.5 x 66* ¹	ABS (UL 94 HB)	A 90 79 207	A 90 79 209

ACCESSORIES

Article	For enclosure DATEC-CONTROL	Version / Application	Part-No.	
① Battery compartment* ³	M, L	PC, volcano, for 4 x 1.5 V mignon cells (AA)	A 91 78 128	
	M, L	PC, volcano, for 5 x 1.5 V mignon cells (AA)	A 91 78 158	
② Battery compartment holder	M, L	PC, for the mounting of a battery comp. in the station and the case* ⁴	A 91 78 118	
③ End plate for electronic area	M, L	I, to close the electronic area, ABS, simple insertion into the guides	A 91 78 178	
	M, L	II, for use with a PCMCIA-card type I, ABS, simple insertion into the guides	A 91 78 188	
	M, L	III, for use with a PCMCIA-card type I, ABS, simple insertion into the guides	A 91 78 198	
④ Contacts* ⁸	XS, S, M, L	contacts male for the station, 6-pole	A 91 78 007	
	XS, S, M, L	contacts female for the case, 6-pole	A 91 78 008	
⑤ Sealing kit	M	for sealing up to IP 54	A 91 78 006	
	L	for sealing up to IP 54	A 91 79 006	
⑥ Display window* ²	M	transparent acrylic glass, without printing, as a set with adhesive foil	A 91 78 001	
	L	transparent acrylic glass, without printing, as a set with adhesive foil	A 91 79 001	
			off-white	black
⑦ Station	M, L	ABS, desktop version* ⁵ , for charging electronics, another batt. comp. etc.	A 91 78 137	A 91 78 139
	M, L	ABS, wall-mounting vers.* ⁵ , for charging electronics, another batt. comp. etc.	A 91 78 167	A 91 78 169
⑧ Wall-suspension element	M, L	ABS, for secure storage of the enclosures	A 92 26 117	A 92 26 119



*¹ installation on existing fixing pillars in the top part or on the PCB. For a list of matching standard LCDs and contact addresses, please see Internet www.okw.com, Products section, link to Product information

*² with individual screen printing, adapted to your visible display cutout as well as to cover the area of adhesive foil, on demand

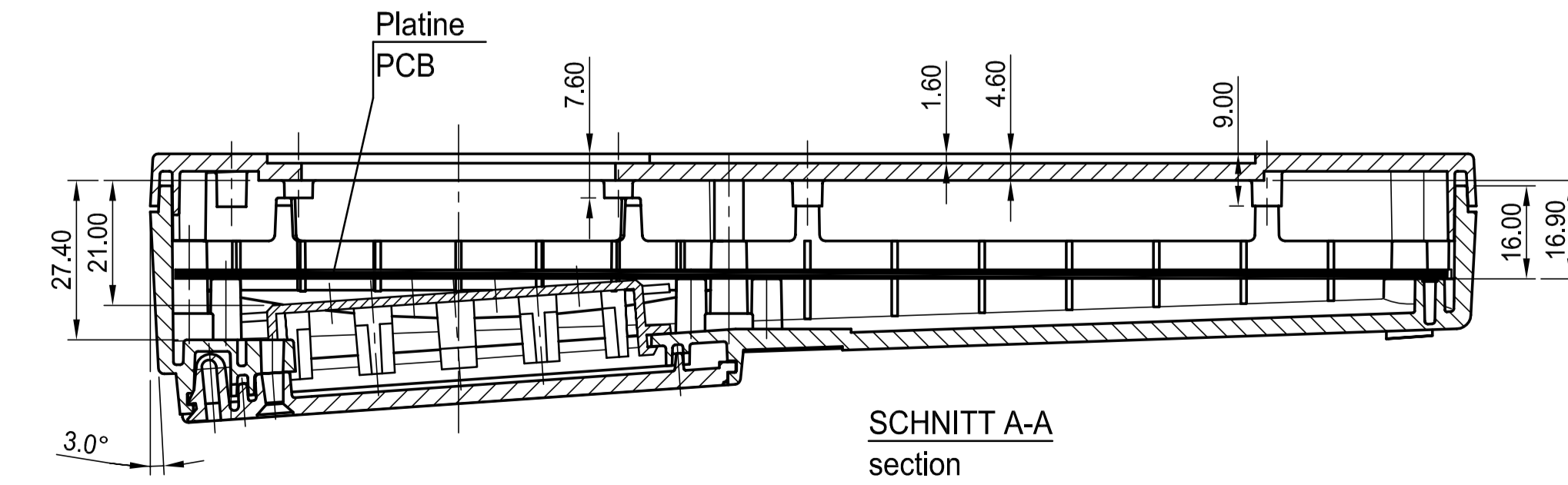
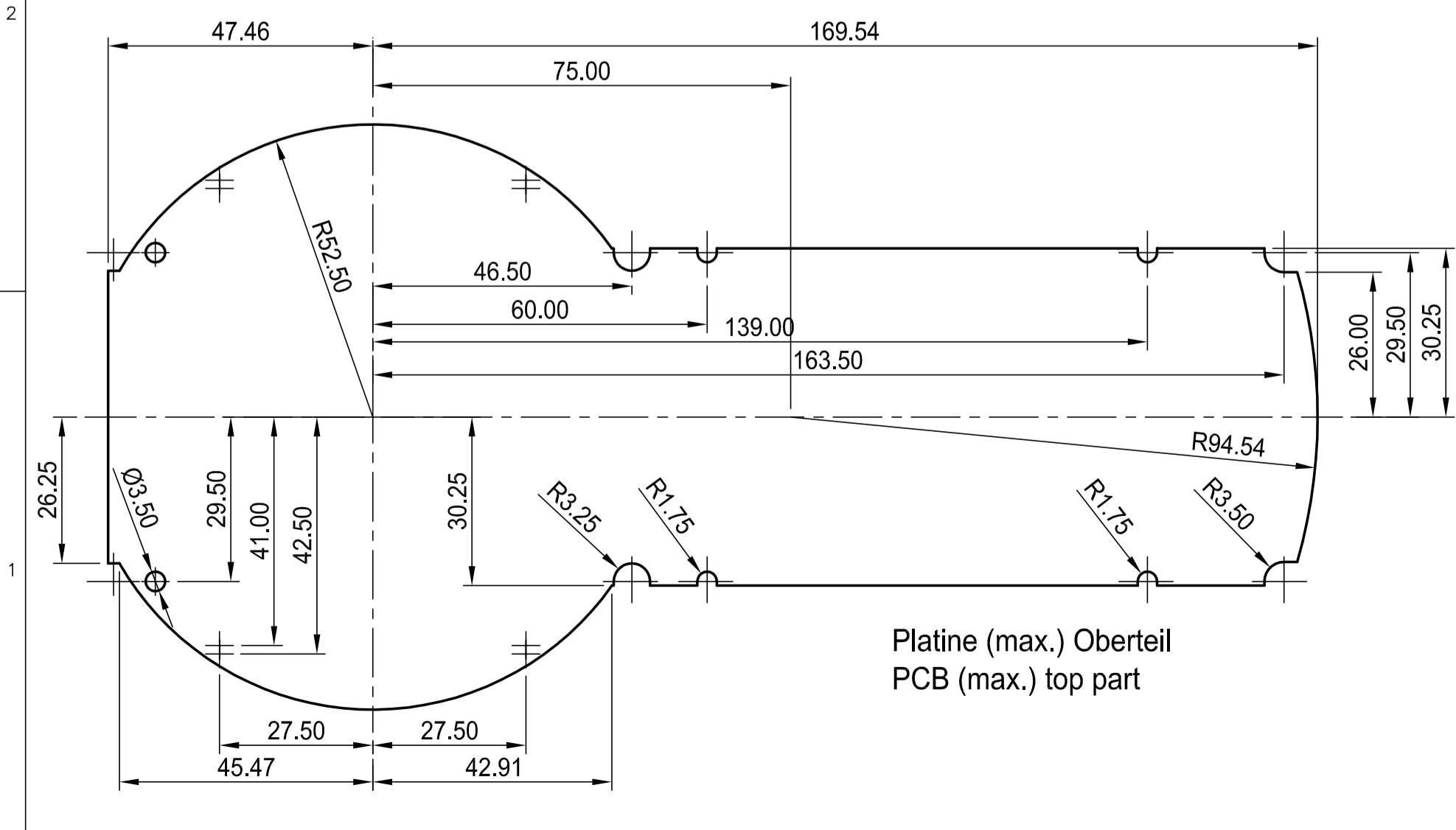
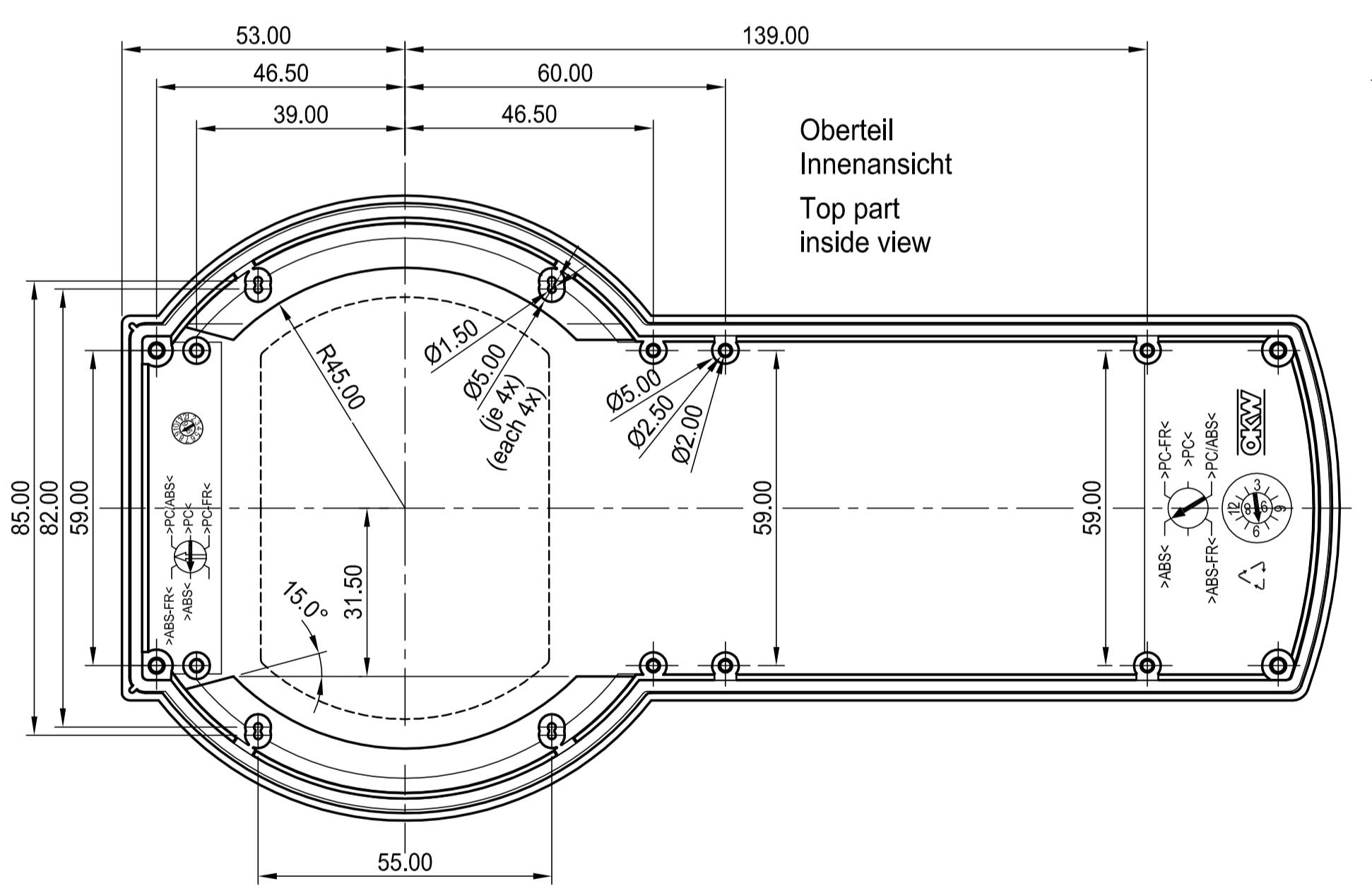
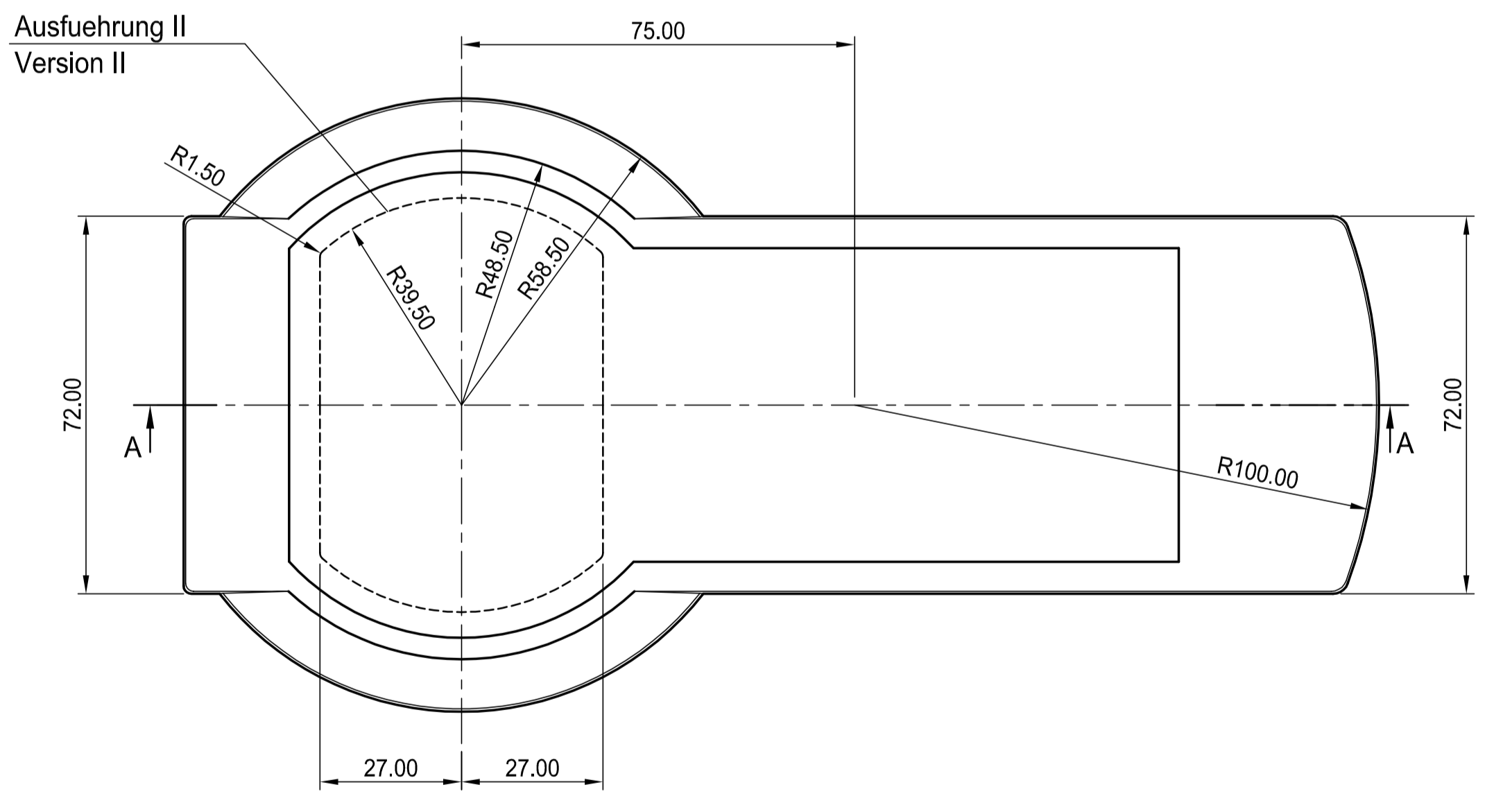
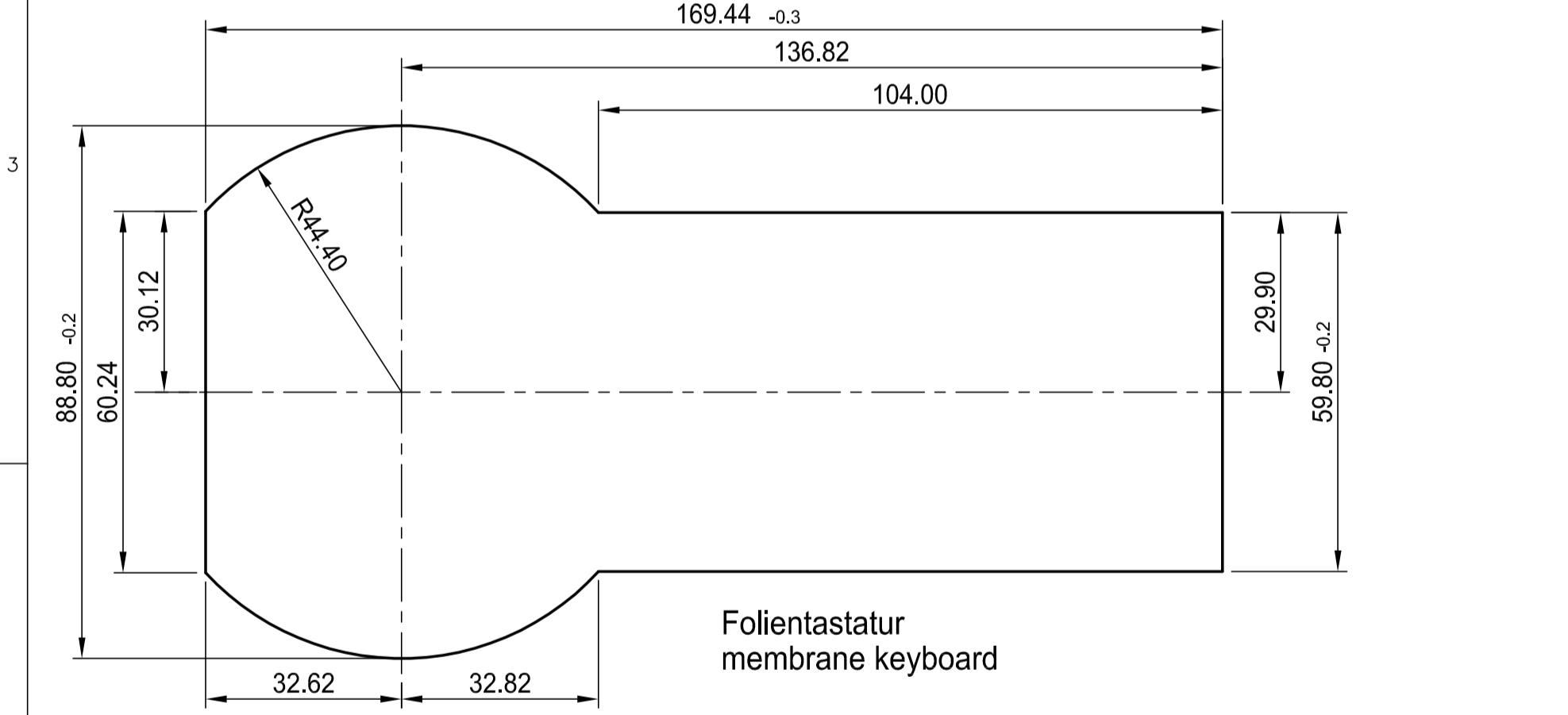
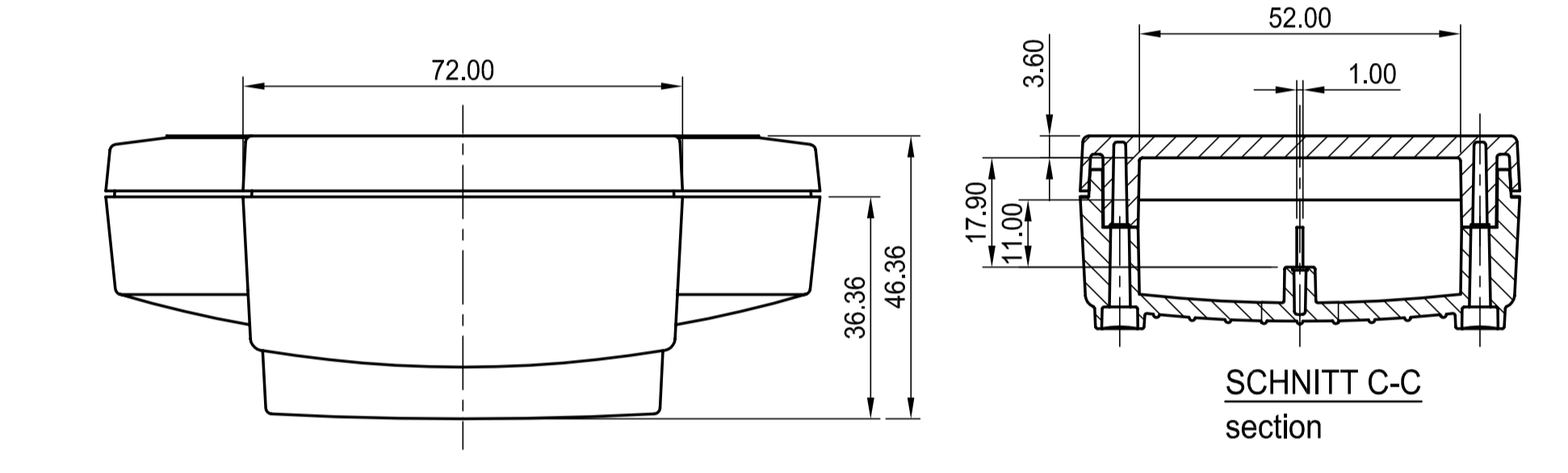
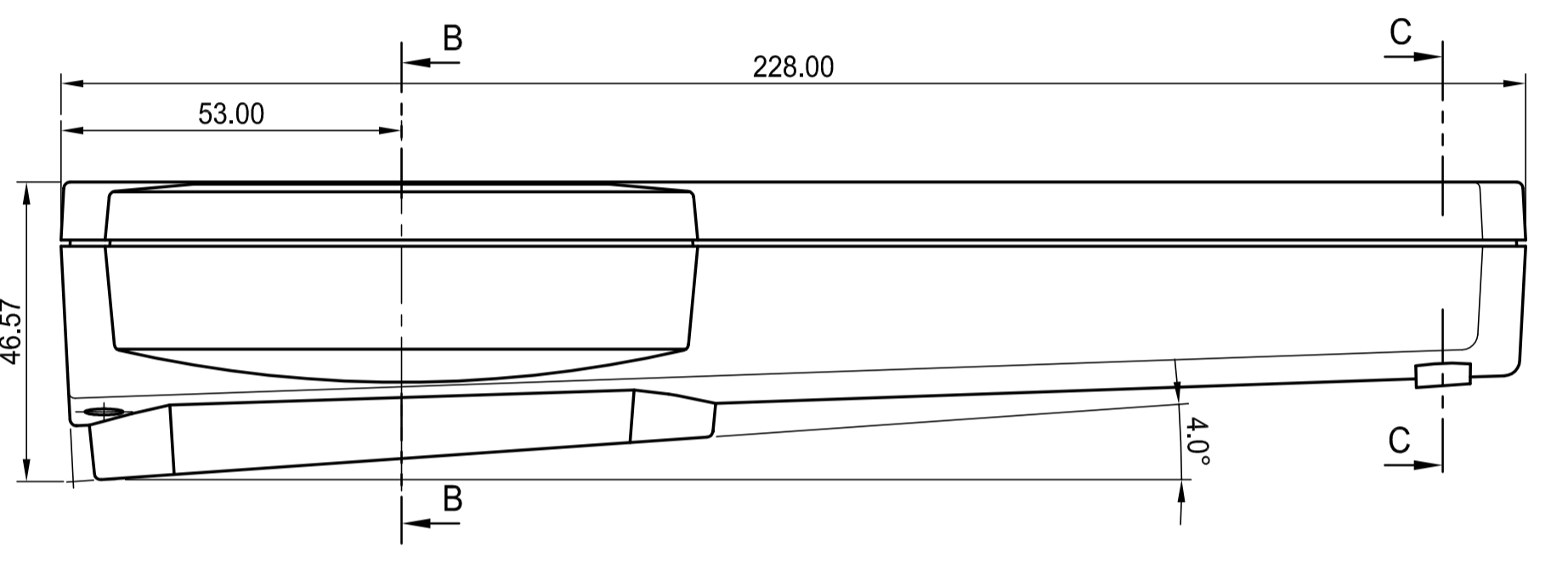
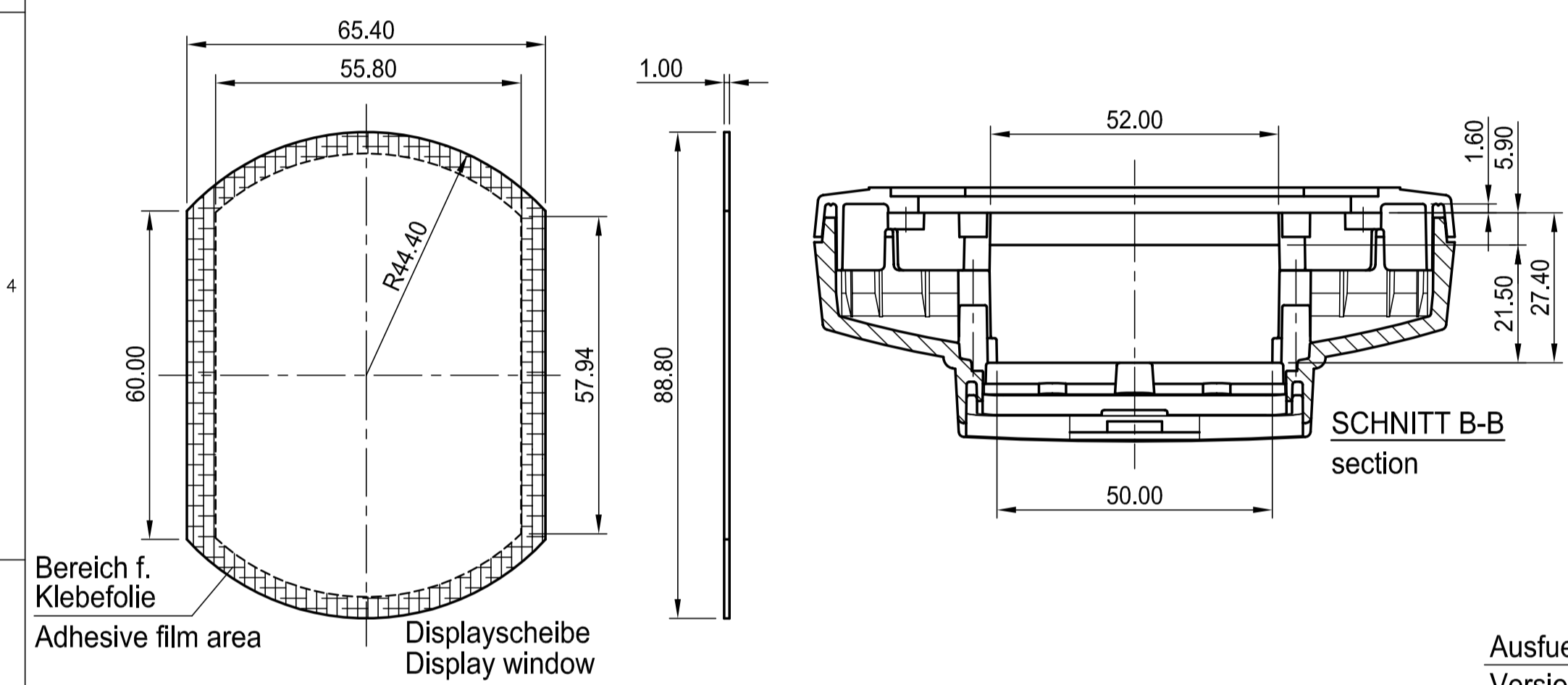
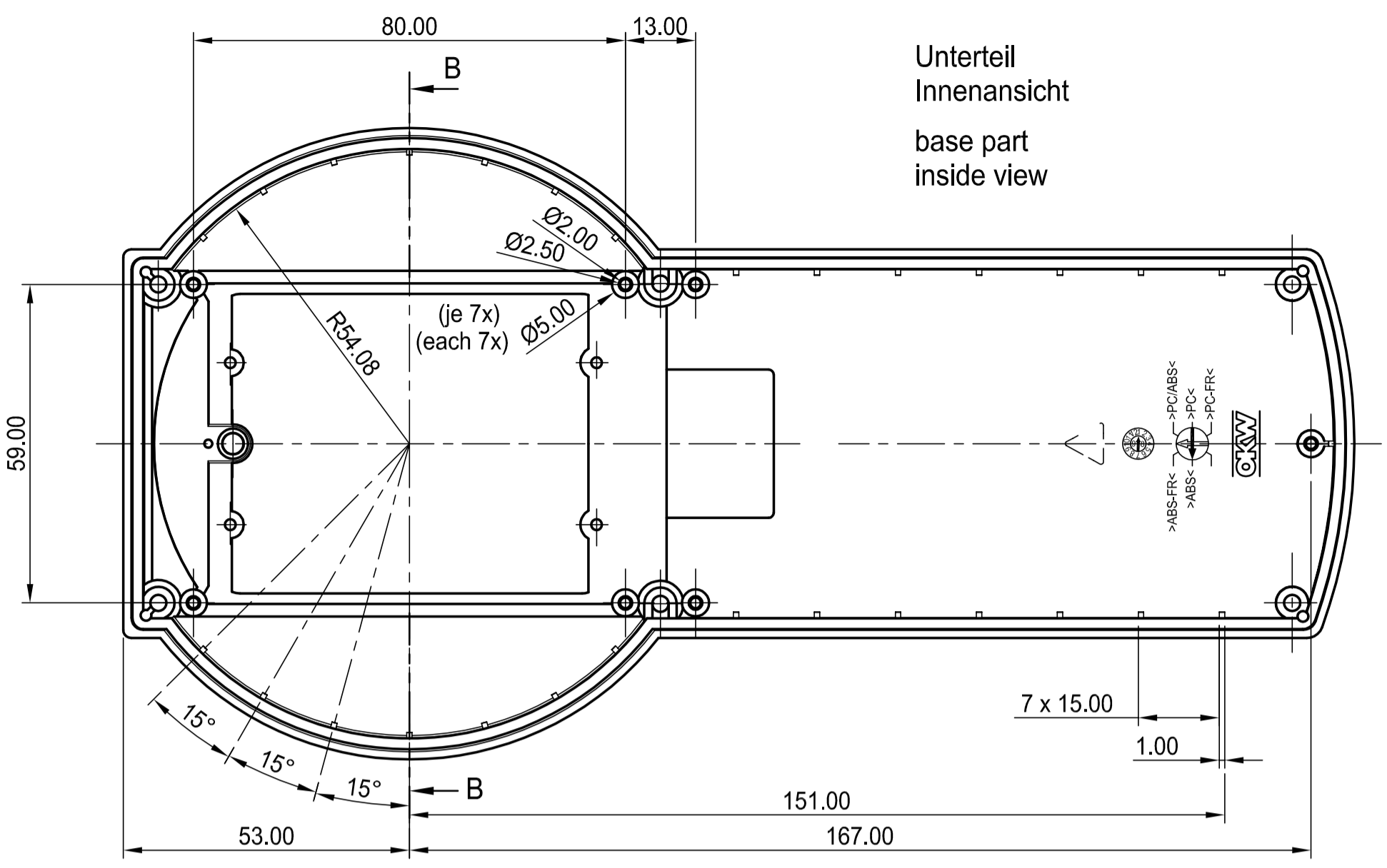
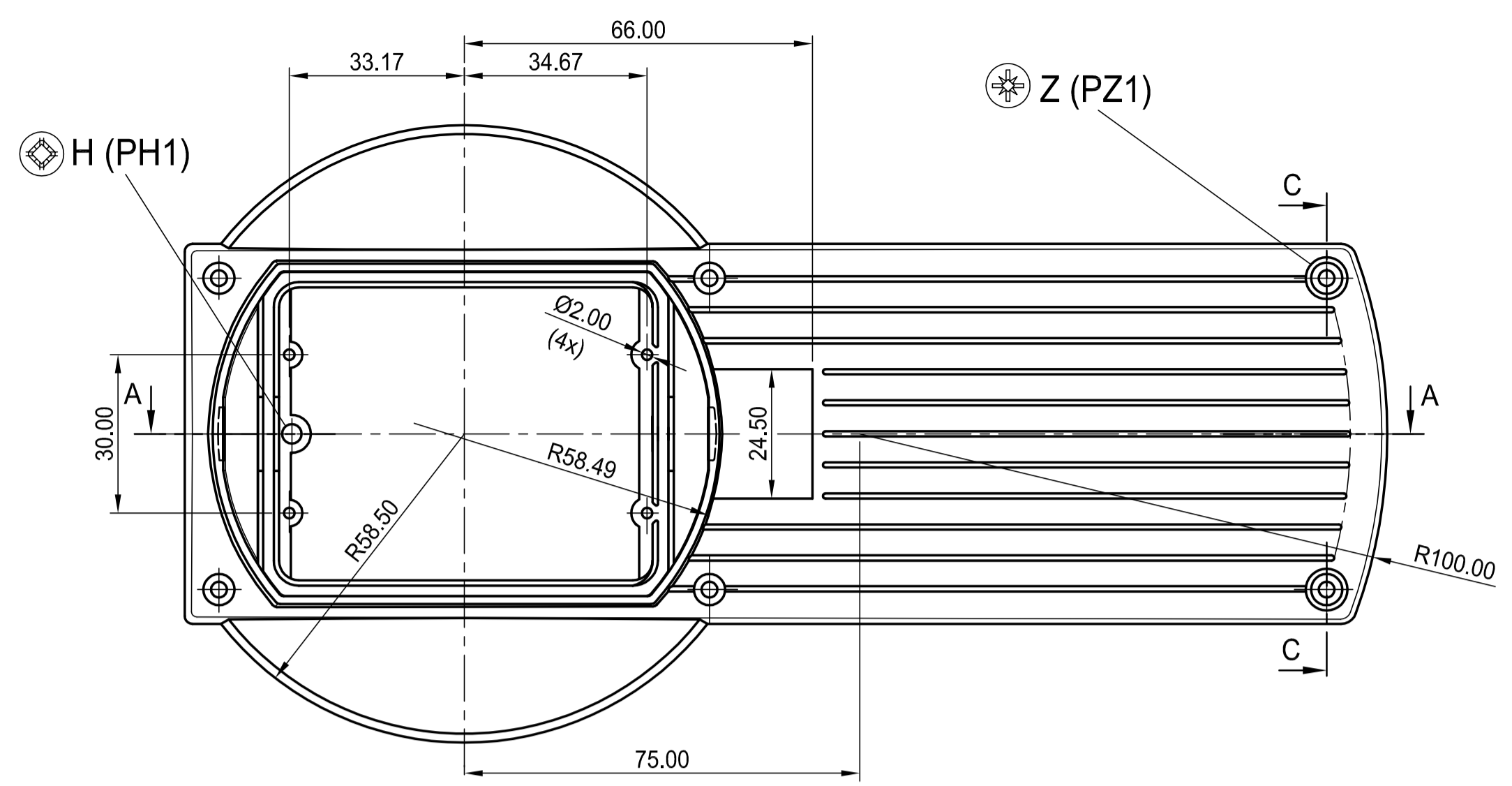
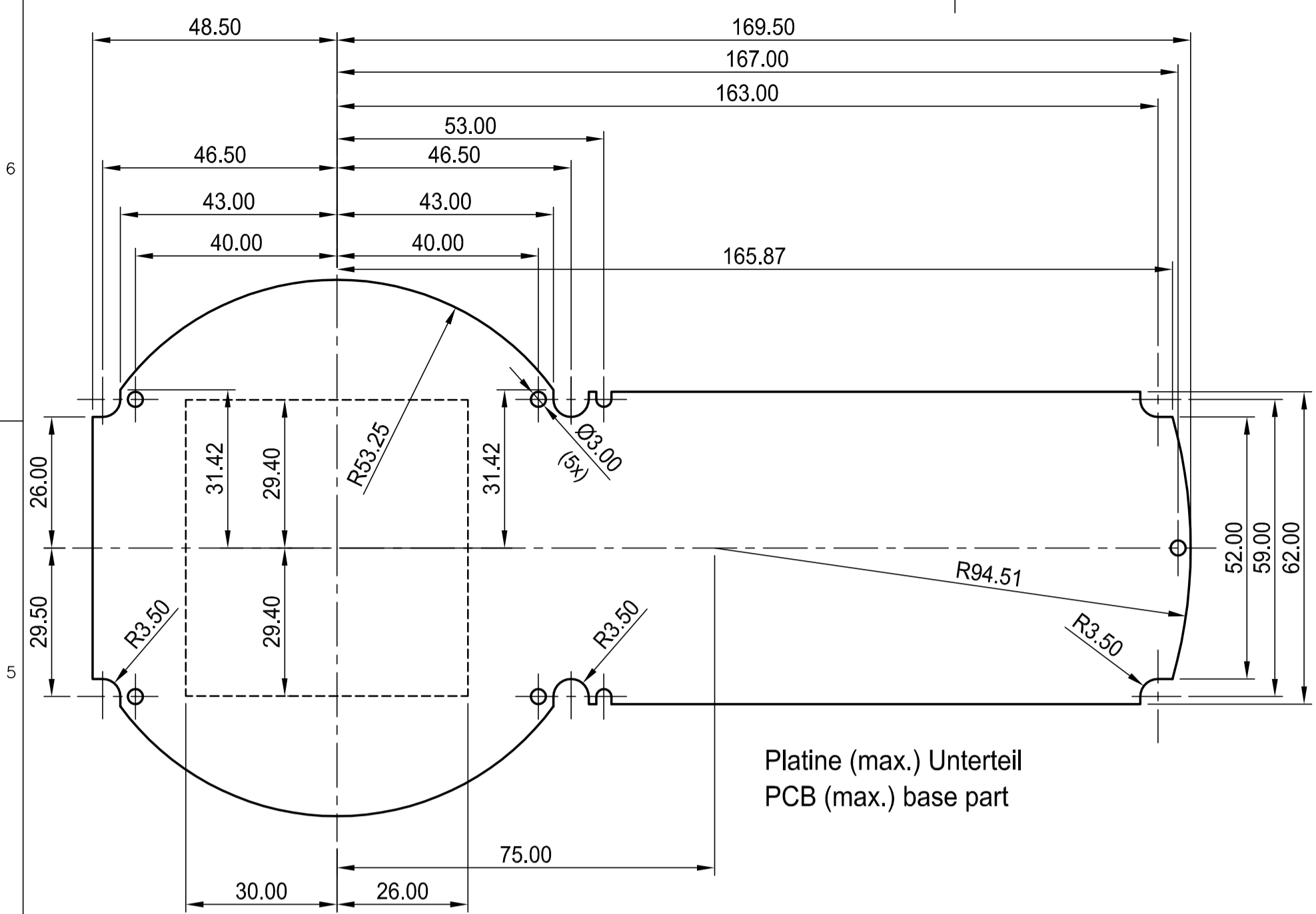
*³ battery compartment holder (②) necessary; the battery compartment snaps safely into position when it is pushed in

*⁴ for mounting the battery compartment holder there are two positions possible (upwards/downwards oriented) – according to the requirements of your components configuration PCBs etc.; with upwards oriented assembly, the end plate for electronic area is required as a support (see also picture page 19)

*⁵ new: additional ridge in the station for desk case application serves for easy remounting and bonding the contacts (④) by the weight of the hand part

*⁸ for practical use, machining is required for the following parts:
cases DATEC-CONTROL XS and S (locator of a drill) as well as DATEC-CONTROL M and L (holes necessary for fitting), station M and L (holes necessary for fitting)

NEW PRODUCT



Informationskopie will not be updated	Copy for information will not be updated	Bearb. am: 28.01.98	Material:	Toleranzen: DIN 16901 T130		DIN 6 Teil 2 1:1
Technische Änderungen vorbehalten. Irrtümer und Druckfehler begründen keinen Anspruch auf Schadenersatz. Wichtige Einbaumaße bitte direkt mit dem aktuellen Produkt abstimmen. Subject to technical modification without prior notice. Typographical and other errors do not justify any claim for damages. All dimensions should be verified using an actual moulded part. Sous réserve de modifications techniques. Toute erreur ou faute d'impression ne justifie aucune demande d'indemnisation. Nous priions les clients de vérifier les dimensions des composants avec les tolérances avant le montage.		Rev. Index: 7 Stand: 30.09.05	Farbe: Zeichnungsart: KUNDE	This document contains proprietary information of OKW Gehäusesysteme GmbH and is rendered subject to the conditions that the information be retained in confidence and not be reproduced or copied and not be used or incorporated in any product.		
OKW GEHÄUSE SYSTEME		CONTROL S Case complete, Vers. I / II A9077...		Für dieses Dokument behalten wir uns alle Urheberrechte vor. Es darf auch auszugsweise weder veröffentlicht noch Dritten in irgendeiner Form zugänglich gemacht werden.		