

Visual Signals AUTOMOTIVE BEACONS

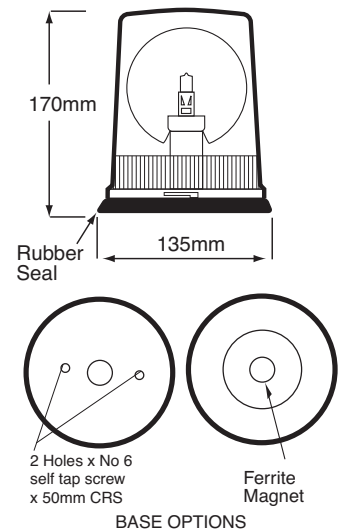


Automotive Rotating Beacons > R88 Series

Product overview

The R88 Series uses a parabolic reflector which, driven by an electric motor, revolves around a continuously illuminated lamp on the vertical axis of the beacon creating a powerful beam of light travelling through 360 degrees. Generally, this type of beacon

has a greater degree of light output than other models but this is off-set by the fact that the parabolic reflector only illuminates one given point at a time. The R88 is available as either a permanent fixed unit or with a magnetic base and vehicle lighter socket lead for temporary and occasional use. This is ideal for when the beacon is not required to be fixed permanently to the roof of the vehicle.



Features

Continuously rated

Choice of magnetic or fixed mounting options

Worm drive system

IP65

Material

UV Stable Polycarbonate Lens
Acetal Base with Neoprene Cover



Code No:	Voltage:	Light Source:	Current:
ROTATING MB (Magnetic Base)			
R88-34	12v Dc ---	H1 X 55w	4.70 A
R88-38	24v Dc ---	H1 X 70w	3.00 A
ROTATING SF (Fixed Base)			
R88-37	12v Dc ---	H1 X 55w	4.70 A
R88-39	24v Dc ---	H1 X 70w	3.00 A

Kg 1.11 MB

Kg 0.67 SF

°C -25+66

IP 65

FPM 160±30

AUTOMOTIVE

APPROVAL AND CONFORMITIES



ADD THE FOLLOWING LENS CODES TO THE PRODUCT CODE WHEN ORDERING

01

02

03

04

05