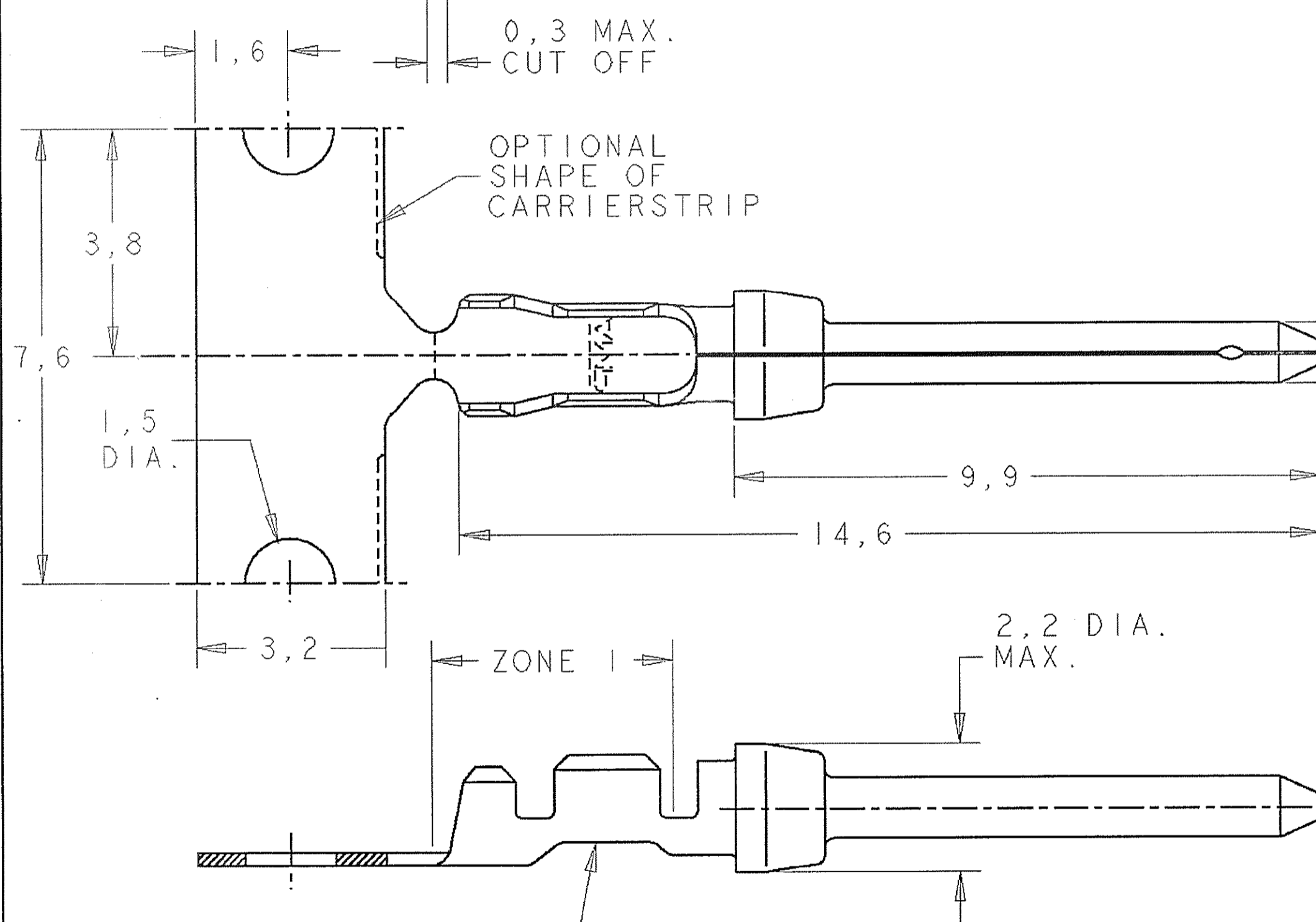
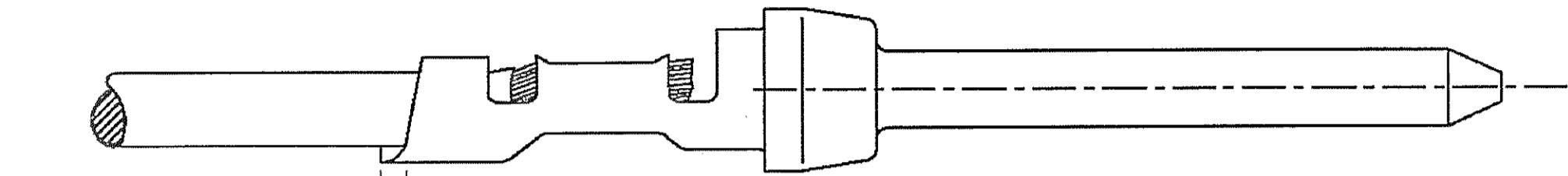
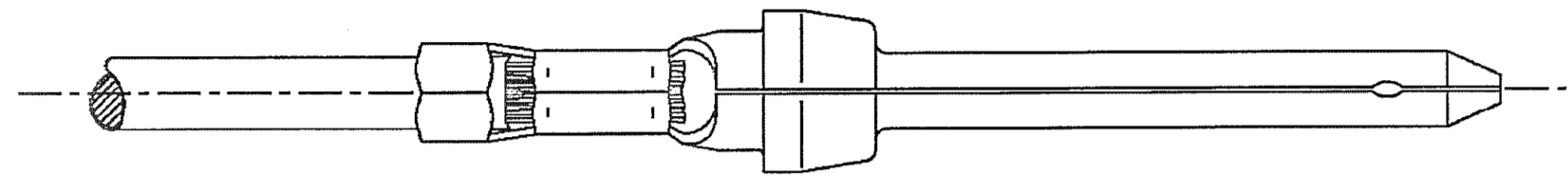
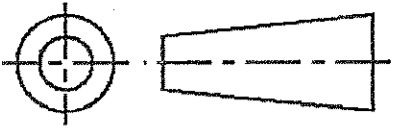


DO NOT SCALE

DIMENSIONS IN mm

METRIC

THIRD ANGLE  
PROJECTION



NOTES:

- 1 FOR MINI-APPLICATOR CRIMPING.
- 2 FOR STANDARD-APPLICATOR CRIMPING.
- 3 FOR REEL-FEED HANDTOOL CRIMPING, 500 CONTACTS ON A SMALL REEL.
- 4. MATERIAL: BRASS.
- 5 UNDERCOATING: 1,3  $\mu$ m Ni  
SELECTIVE : 0,8  $\mu$ m Au  
REMAINDER : GOLDFLASH  
ZONE 1 : BRIGHT TIN
- 6 UNDERCOATING: 0,8  $\mu$ m Ni  
SELECTIVE : 0,4  $\mu$ m Au  
REMAINDER : GOLDFLASH
- 7 UNDERCOATING: 0,8  $\mu$ m Ni  
SELECTIVE : 0,4  $\mu$ m Au  
ZONE 1 : BRIGHT TIN
- 8 UNDERCOATING: 1,3  $\mu$ m Ni  
SELECTIVE : 2,0  $\mu$ m Au  
REMAINDER : GOLDFLASH
- 9 UNDERCOATING: 1,3  $\mu$ m Ni  
SELECTIVE : 1,3  $\mu$ m Au  
ZONE 1 : BRIGHT TIN
- 10 UNDERCOATING: 1,3  $\mu$ m Ni  
SELECTIVE : 1,3  $\mu$ m Au  
REMAINDER : GOLDFLASH

10	1-166294-4	5-166054-4	-	1-166054-4
9	1-166294-0	5-166054-0	-	1-166054-0
7	166294-6	5-166054-6	166054-7	166054-6
6	166294-5	5-166054-5	-	166054-5
8	-	-	-	166054-4
5	166294-1	5-166054-1	166054-3	166054-1
FINISH	LOOSE-PIECE	PARTNUMBER	PARTNUMBER	PARTNUMBER

CUSTOMER  
DRAWING

FOR REFERENCE ONLY  
WILL NOT BE UPDATED

**AMP**

AMP-HOLLAND B.V.  
's-Hertogenbosch, The Netherlands.

THIS DRAWING IS UNPUBLISHED RELEASED FOR PUBLICATION

© COPYRIGHT 19- BY AMP-HOLLAND B.V.  
ALL INTERNATIONAL RIGHTS RESERVED.  
AMP PRODUCTS MAY BE COVERED BY U.S. AND FOREIGN PATENTS AND/OR  
PATENTS PENDING.

DR. B.MOOIJ.	DATE 08-01-86	WIRE RANGE 24-28 AWG (0,08-0,22 mm <sup>2</sup> )	NAME PIN CONTACT, SIZE 20 DF.	REV. DATE D M Y 02 11 01
CHK. C.v. TILBURG.	DATE 16-01-86	INSUL. RANGE 0,76-1,02 DIA.	DWG. No. C-166054	REV. LTR. V
APP. L.v. SOEST.	DATE 18-02-86	SIZE A3	SHEET 1 OF 1	

8 7 6 5 4 3 2 1

x.\*-0.TIF-9/22/03 6:56:48 AM