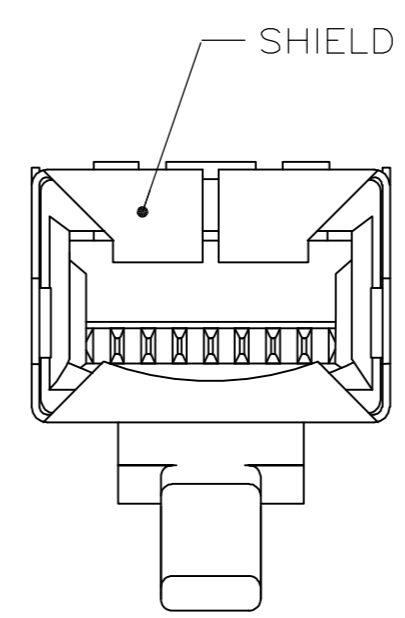
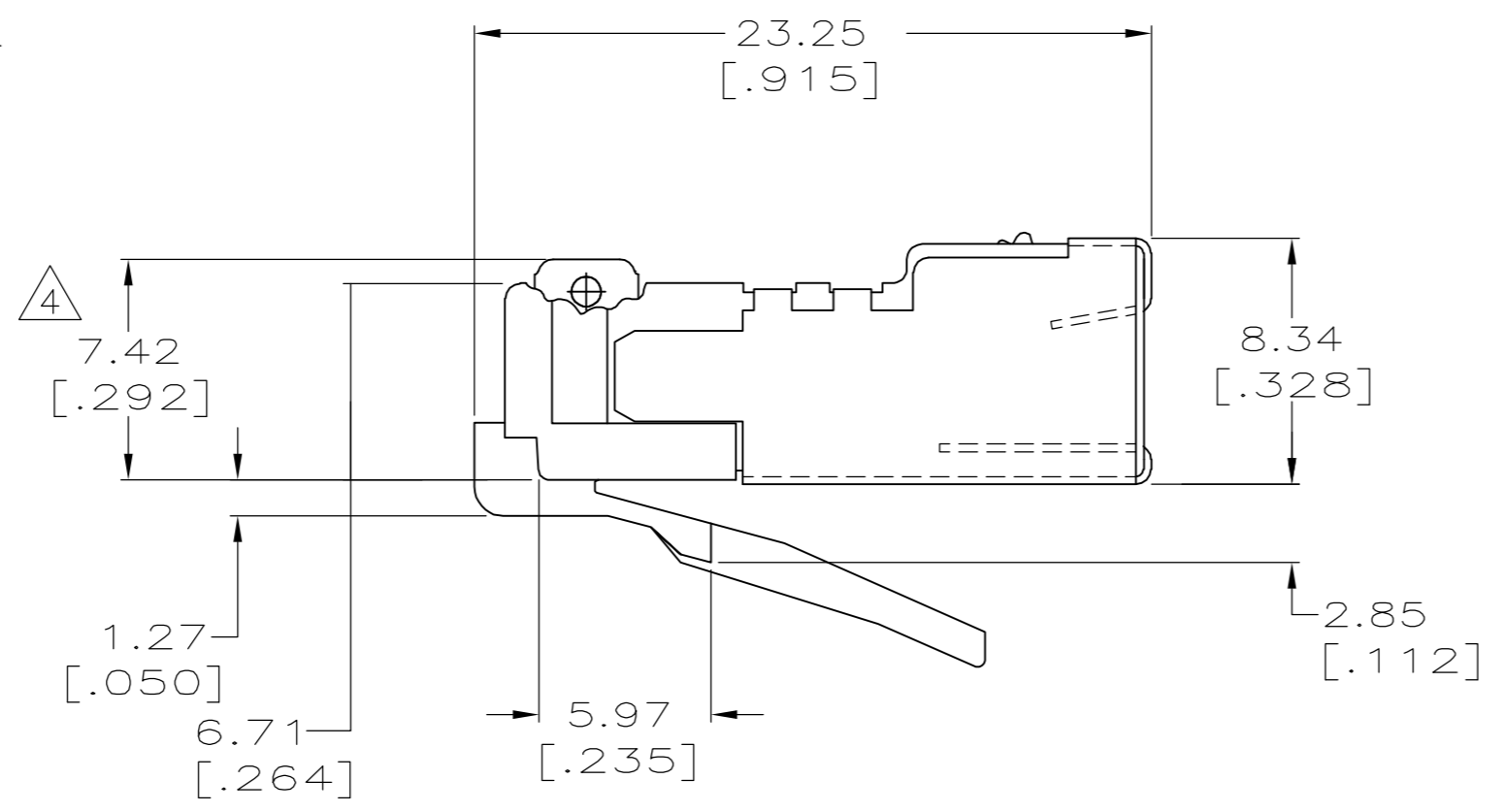
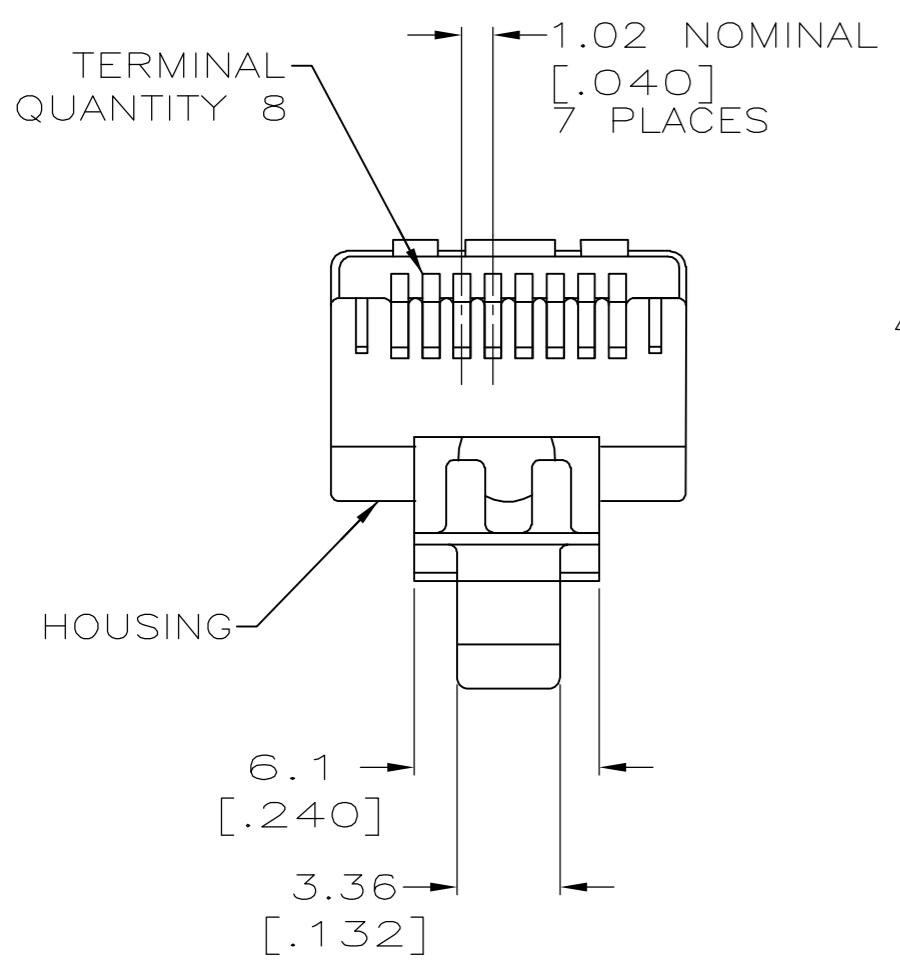
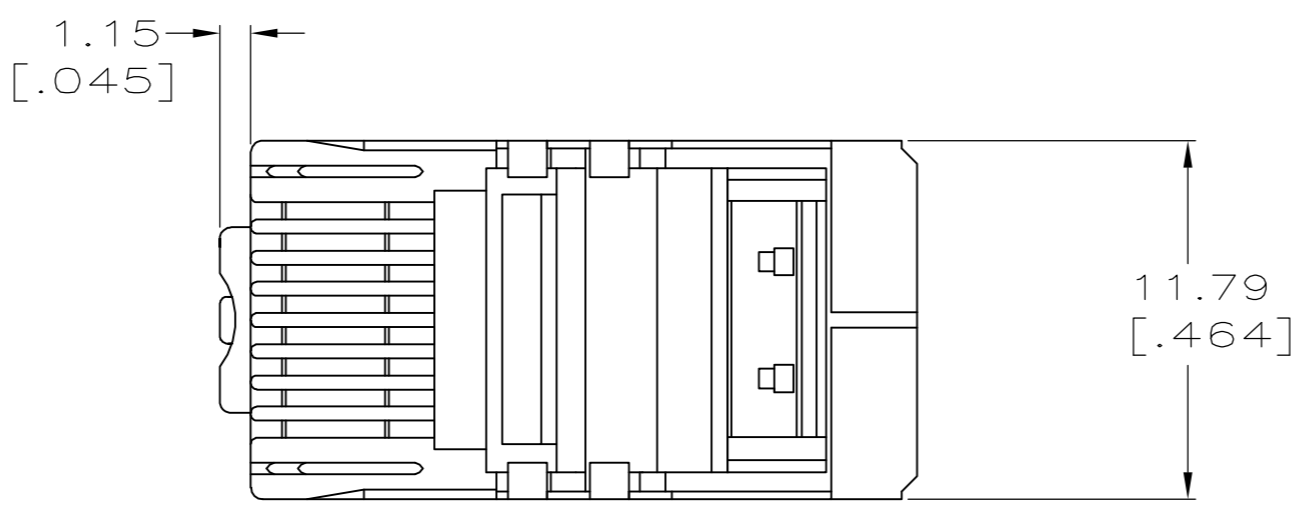


LOC	DIST	REVISIONS				
P	LTR	DESCRIPTION	DATE	DWN	APVD	
AA	22	C	REVISED PER ECO-05-013985	27FEB06	WS	CD

D
C
B
A



- 1 DIMENSIONS ARE MAXIMUM UNLESS OTHERWISE SPECIFIED.
- 2 MATERIAL: HOUSING - POLYCARBONATE, CLEAR
 TERMINAL - PHOSPHOR BRONZE, PLATED WITH 1.27µm [.000050] MINIMUM THICK GOLD IN LOCALIZED GOLD PLATE AREA, GOLD FLASH OVER THE REMAINDER, OVER 2.54µm [.000100] MINIMUM THICK NICKEL UNDERPLATE.
 SHIELD - COPPER ALLOY WITH 3µm [.000118] MINIMUM HOT DIPPED TIN.
- 3. PLUG WILL ACCEPT 24 TO 28 AWG STRANDED WIRE, 0.74-0.99 [.029-.039] DIAMETER, WITH A 5.08 [.200] DIAMETER MAXIMUM JACKET.
- 4 TERMINATED DIMENSION 6.15 [.242] MAXIMUM.
- 5 PACKAGED 500 ASSEMBLIES PER CARTON.
- 6 PACKAGED 100 ASSEMBLIES PER BOX.
- 7 PACKAGED 25 ASSEMBLIES PER POLYBAG.
- 8 SEE RESTRICTED CUSTOMER DRAWING 5-569532-5.
- 9 PACKAGED 10,000 ASSEMBLIES PER POLYBAG.

8	5-569532-5
7	5-569532-4
6	5-569532-3
5	5-569532-2
9	5-569532-1
PACKAGED	PART NUMBER

THIS DRAWING IS A CONTROLLED DOCUMENT FOR AMP INCORPORATED. IT IS SUBJECT TO CHANGE AND THE CONTROLLING ENGINEERING ORGANIZATION SHOULD BE CONTACTED FOR THE LATEST REVISION.		DWN G. GARRETT 10-09-95	AMP Incorporated Harrisburg, PA 17105-3608	
DIMENSIONS: mm [INCHES]		CHK C. WHITT 10-30-95	NAME	
TOLERANCES UNLESS OTHERWISE SPECIFIED:		APVD E. LAURER 11-6-95	MODULAR PLUG ASSEMBLY, 8 POSITION, SHIELDED, ROUND CABLE, STRANDED WIRE	
0 PLC ±-	1	PRODUCT SPEC	108-1163	SIZE
1 PLC ±-	2	APPLICATION SPEC	114-6016	CAGE CODE
2 PLC ±-	3	WEIGHT	-	DRAWING NO
3 PLC ±-	4	CUSTOMER DRAWING		A2 00779
4 PLC ±-	ANGLES ±-	SCALE	4:1	SHEET 1 OF 1
FINISH ±-	2	REV	C	