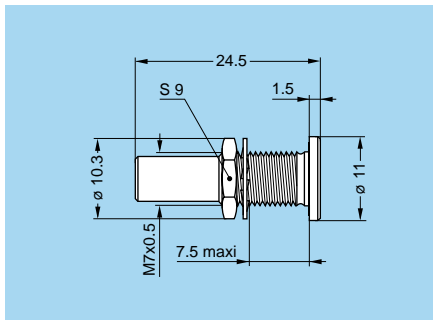
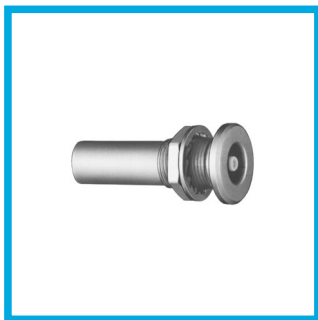


EWW Fixed socket, vacuumtight

Part number	Weight (g)	Note
EWW.00.250.NTLPV	3.7	●

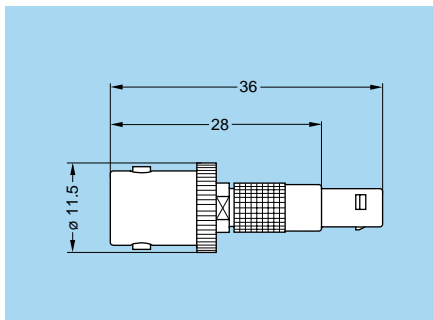
P2 Panel cut-out



SWH Fixed coupler, nut fixing, vacuumtight

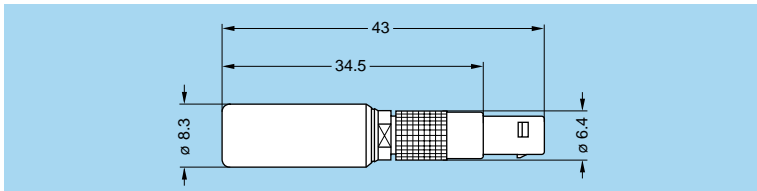
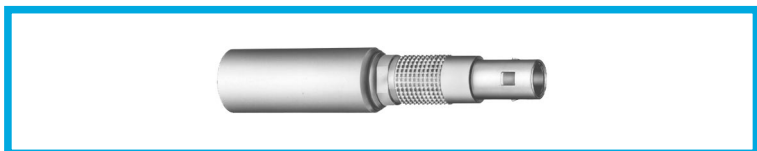
Part number	Weight (g)	Note
SWH.00.250.NTMV	5.2	●

P1 Panel cut-out



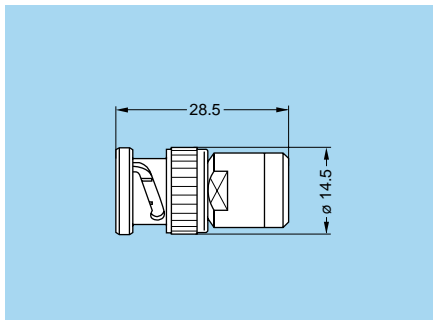
ABF Adaptor from LEMO plug to BNC socket

Part number	Weight (g)	Note
ABF.00.250.NTA	8.3	●



APF Adaptor from LEMO plug to CINCH socket

Part number	Colour of the ring	Weight (g)	Note
APF.00.250.DTAB	white	7	●
APF.00.250.DTAR	red	7	●



ABA Adaptor from LEMO socket to BNC plug

Part number	Weight (g)	Note
ABA.00.250.NTL	18.7	●

● Available ○ On request