

# ASK TRANSMITTER 50 Ω Output

433.92 MHz – 3 V version / Cod. 3-2000554

### DESCRIPTION:

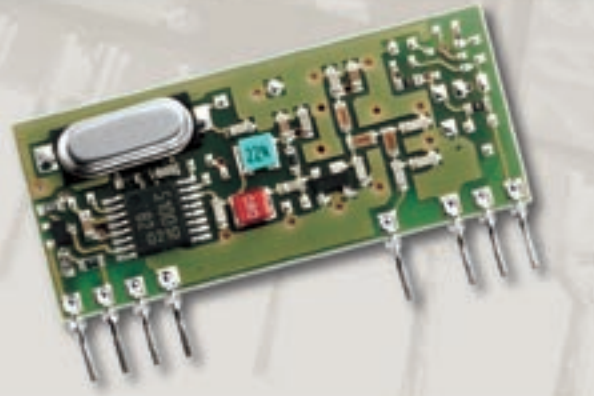
ASK Transmitter, with crystal locked oscillator, manufactured in SMT technology on printed circuit. Booster stage to improve output power.

### HIGHLIGHTS:

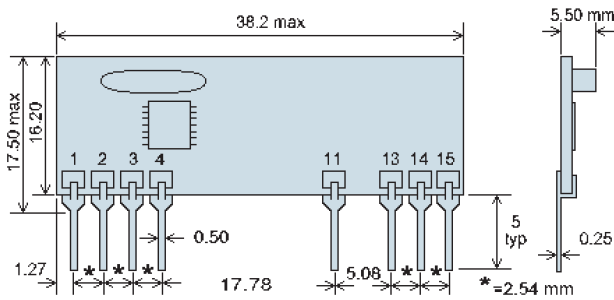
High output power with low supply voltage. Developed according to I-ETS 300 220 and ETS 300 683 European Standard.

### APPLICATIONS:

Domestic Security, Surveillance Systems, Data Transmission, perfect for battery supply systems.



### MECHANICAL CHARACTERISTICS



### Pin functions

- 1 = GND
- 2 = Tx DATA
- 3 = NOT CONNECTED
- 4 = GND
- 11 = RF OUTPUT (50Ω)
- 13 = GND
- 14 = NON CONNECTED
- 15 = +Vcc

### ABS. MAX. RATINGS

Power Supply, +Vcc, pin 15:	+ 4 Volt
Storage Temperature:	- 40 ÷ + 100 °C
Operating Temperature:	- 20 ÷ + 70 °C

### ELECTRICAL CHARACTERISTICS AT 25 °C :

Parameter	Min.	Tip.	Max	Unit	Notes
Power Supply (+Vcc)	2.4	3	3.6	Volt	
Supply Current	-	15	-	mA	Note 1
Carrier Frequency	433.42	433.92	434.42	MHz	
Output Power (50Ω load)	+10	+12	-	dBm	Note 1
Second Harmonic Level (load 50Ω)	-	-	-36	dBm	
Start-up Time	-	-	1.5	ms	Note 1
Logic Low	-	0	-	Volt	
Logic High	-	3	-	Volt	
Baud Rate	-	-	38400	Baud	

**Note 1:** +Vcc = 3V, 1 kHz square wave modulation 0-3 V, duty-cycle 50%

**Note 2:** power supply versions from 5V to 12V are available on request

**MIPOT S.P.A.**

Via Corona, n.5

(Zona Ind.)

34701 Cormons (GO)

Italy

Tel. +39 0481 630200 ra.

Fax +39 0481 62387

mipot@mipot.com