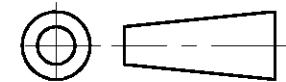


DO NOT SCALE

DIMENSIONS IN mm

METRIC

THIRD ANGLE
PROJECTION



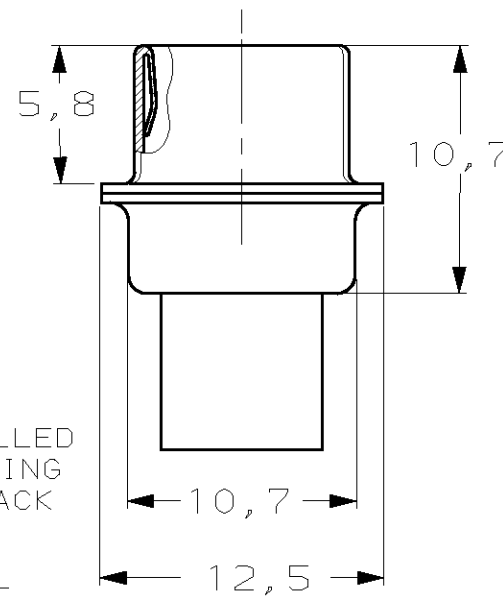
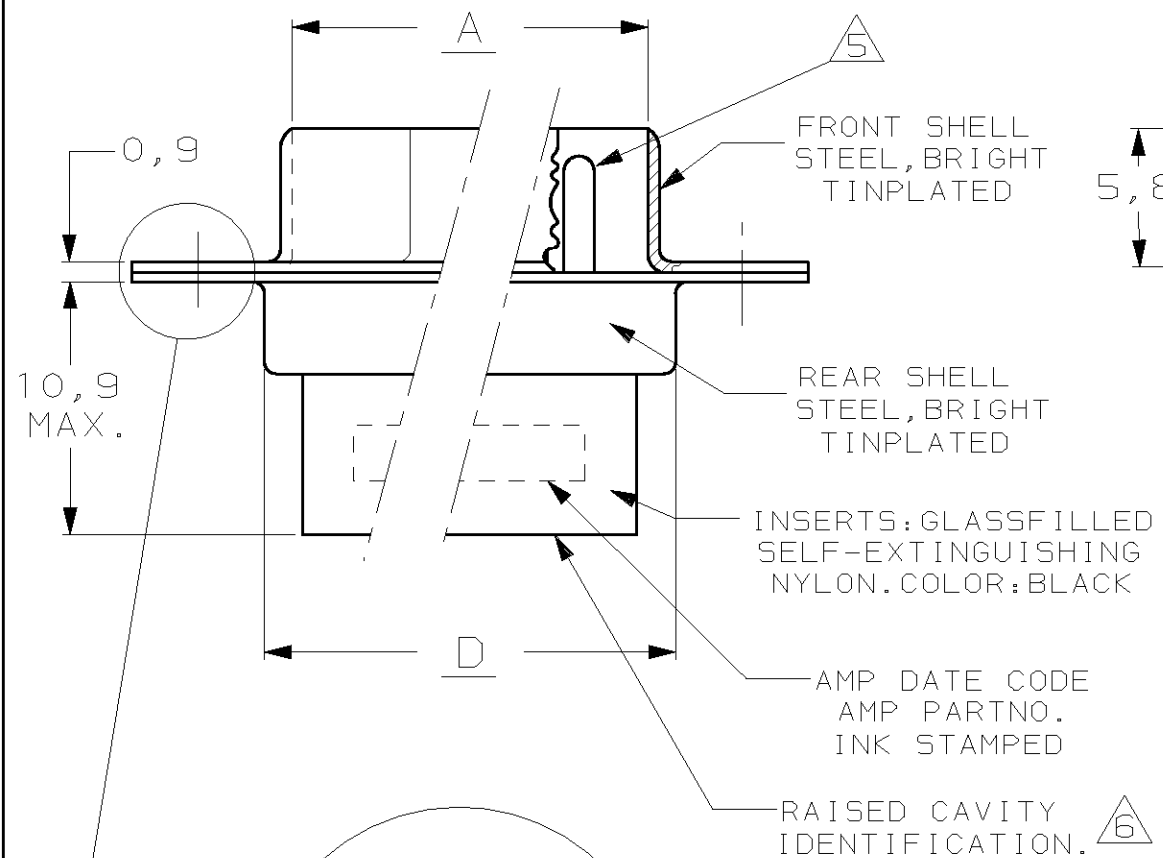
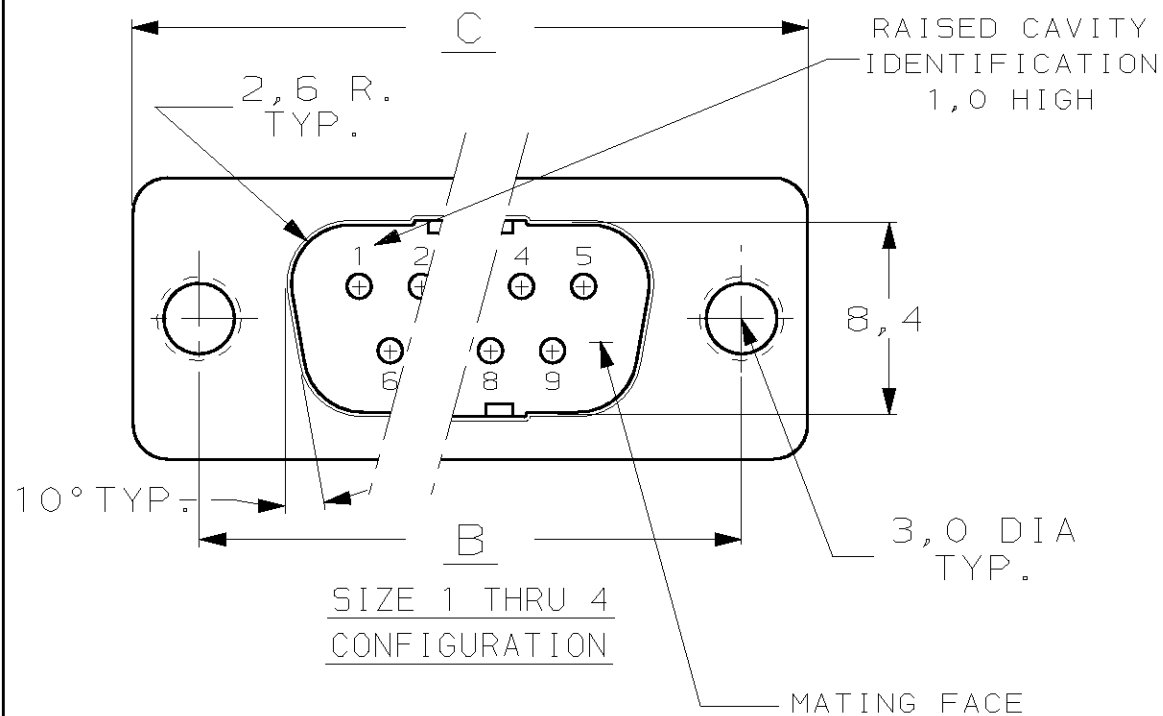
NOTES:

- 1 THIS PLUG ACCEPTS SIZE 20 PIN CONTACTS.
- 2 MAXIMUM WIRE INSULATION RECOMMENDED FOR USE WITH THIS PLUG IS 1,73 DIA. MAX..
- 3 RETENTION TINES ARE AN INTEGRAL PART OF INSERT.
- 4 FOLLOWING INSERTION/REMOVAL TOOLS ARE RECOMMENDED FOR USE WITH THESE CONNECTORS:

32-28AWG/28-24AWG CONT'S	24-20AWG CONTACTS
91067-3 INSERTION/REMOVAL	91067-2 INSERTION/REMOVAL
726363-1 INSERTION ONLY	726363-1 INSERTION ONLY
	726364-1 REMOVAL ONLY

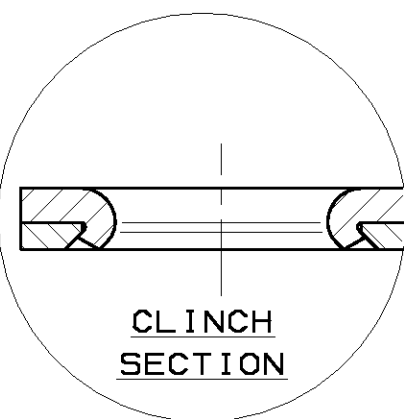
⚠ CONTACTS SHOWN FOR ILLUSTRATION ONLY, NO PART OF CONNECTOR PACKAGE ; MUST BE ORDERED SEPARATELY.

⚠ RAISED CAVITY IDENTIFICATION NUMBERS ON WIRE SIDE ARE WHITENED FOR -9 P/N'S.



55,3	66,9	61,1	52,9	50	5	167296-9	167296-1
57,7	69,3	63,5	55,4	37	4	167295-9	167295-1
41,3	53,0	47,0	39,0	25	3	167294-9	167294-1
27,5	39,1	33,3	25,3	15	2	167293-9	167293-1
19,3	30,8	25,0	16,9	9	1	167292-9	167292-1
D	C	B	A	NR.OF POS.	SIZE	AMP ORDER NUMBER	

FOR DETAILS SIZE 5, SEE SHEET 2.



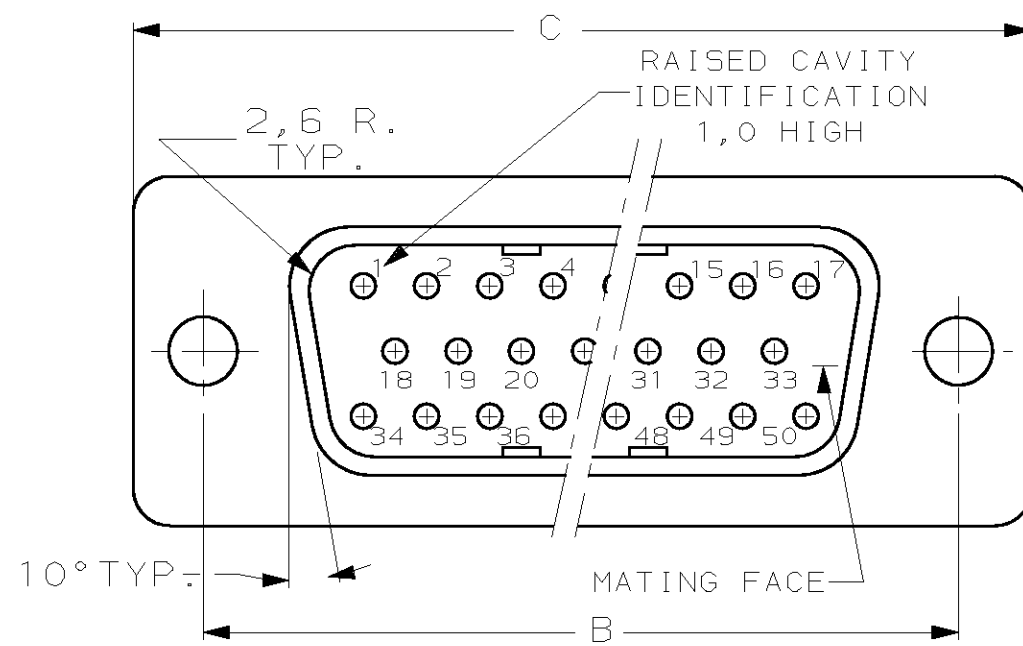
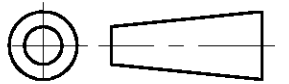
						CUSTOMER DRAWING	FOR REFERENCE ONLY WILL NOT BE UPDATED
						© COPYRIGHT 19- BY AMP HOLLAND B.V. ALL INTERNATIONAL RIGHTS RESERVED. AMP PRODUCTS MAY BE COVERED BY U.S. AND FOREIGN AND/OR PATENTS PENDING.	
						THIS DRAWING IS UNPUBLISHED RELEASED FOR PUBLICATION _____, 19____	
J	EH01-1520-03	JvdH	PDJ	22 DEC 03	<i>tyco</i> Electronics		
H	SR10-0457-02	KV	-	24 OCT 02	TYCO ELECTRONICS NEDERLAND B.V. 's-HERTOGEBOSCH, THE NETHERLANDS.		
G	SR10-0382-02	KV	-	22 AUG 02	NAME HDP-20 PLUG CONNECTOR, SIZE 1-4		
LTR.	REVISION RECORD		DR.	CHK.	DATE		
DR.:	B.M001J	CHK.:	-	APP.:	-	DWG.No.	REV.LTR.
DATE:	20 NOV 87	DATE:	-	DATE:	-	C-167292	J
						SHEET	1 OF 2
						A3	

8 7 6 5 4 3 2 1

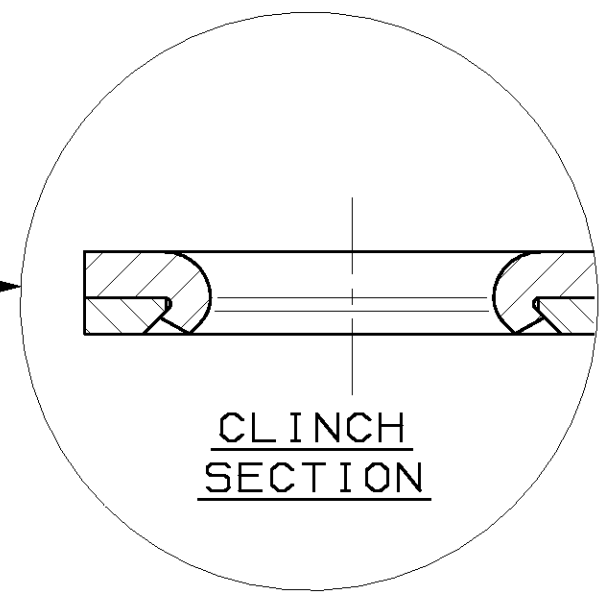
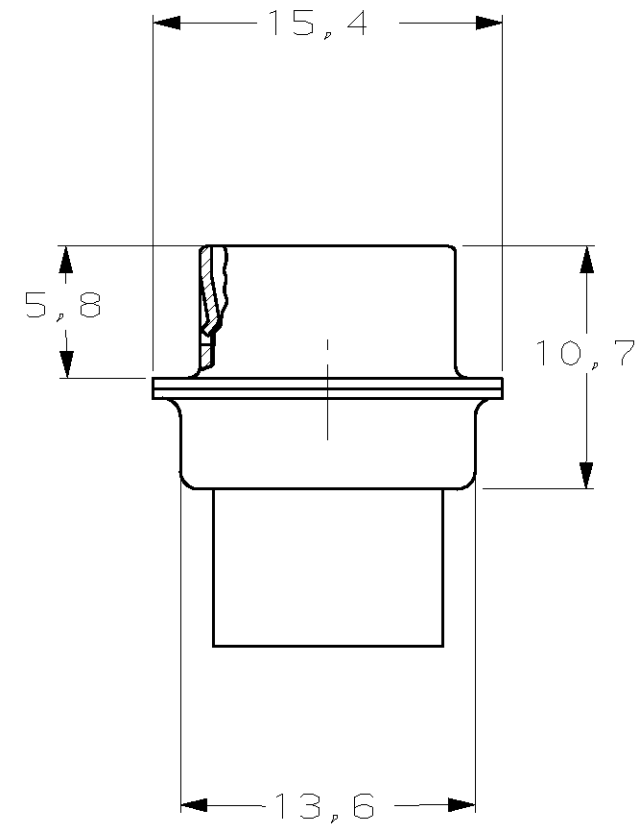
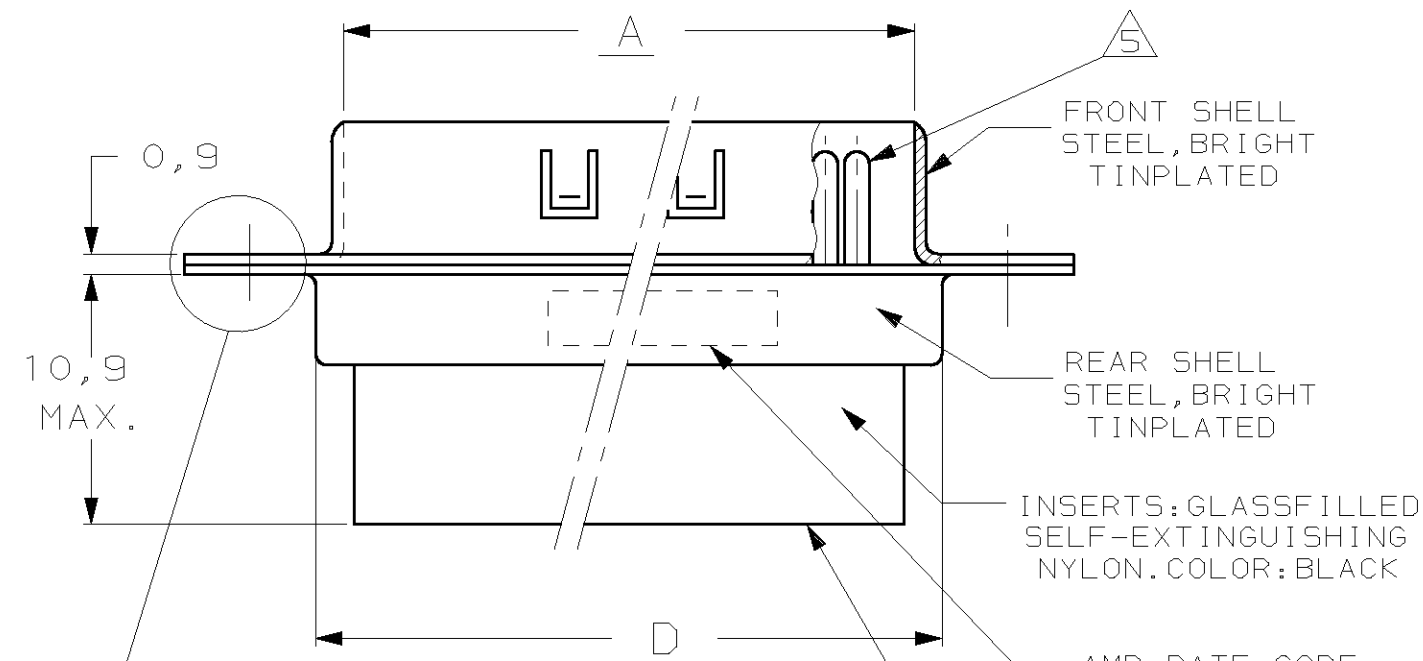
DO NOT SCALE
DIMENSIONS IN mm

METRIC

THIRD ANGLE
PROJECTION



SIZE 5
CONFIGURATION



-	-	-	-	-	CUSTOMER DRAWING FOR REFERENCE ONLY WILL NOT BE UPDATED	
-	-	-	-	-	© COPYRIGHT 19- BY AMP HOLLAND B.V. ALL INTERNATIONAL RIGHTS RESERVED. AMP PRODUCTS MAY BE COVERED BY U.S. AND FOREIGN AND/OR PATENTS PENDING.	
-	-	-	-	-	THIS DRAWING IS UNPUBLISHED RELEASED FOR PUBLICATION _____, 19	
-	-	-	-	-	TYCO ELECTRONICS NEDERLAND B.V. 's-HERTOGEBOSCH, THE NETHERLANDS.	
-	-	-	-	-	NAME HDP-20 PLUG CONNECTOR SIZE 5	
-	SEE SHEET 1	-	-	-		
LTR.	REVISION RECORD			DR.	CHK.	DATE
DR.:	B.M001J.	CHK.:	-	APP.:	-	DWG.No.
DATE:	20 NOV 87	DATE:	-	DATE:	-	C-167292
					REV.LTR.	J
					SHEET	2 OF 2
						A3