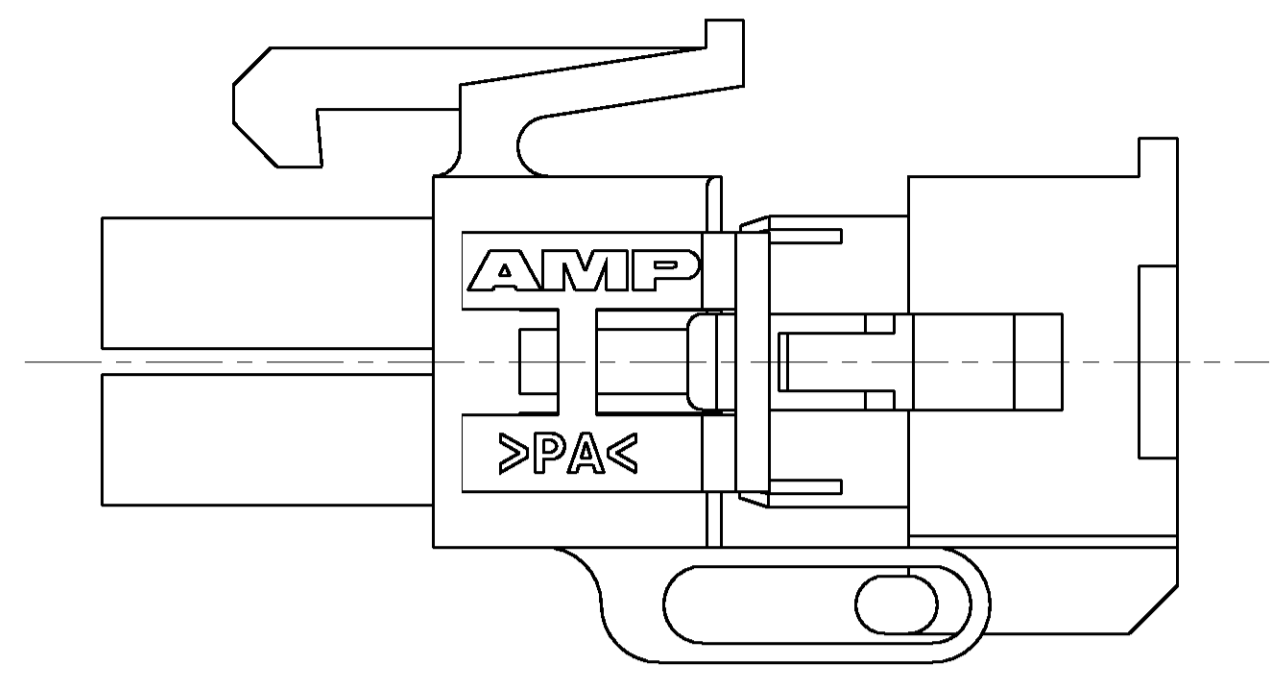
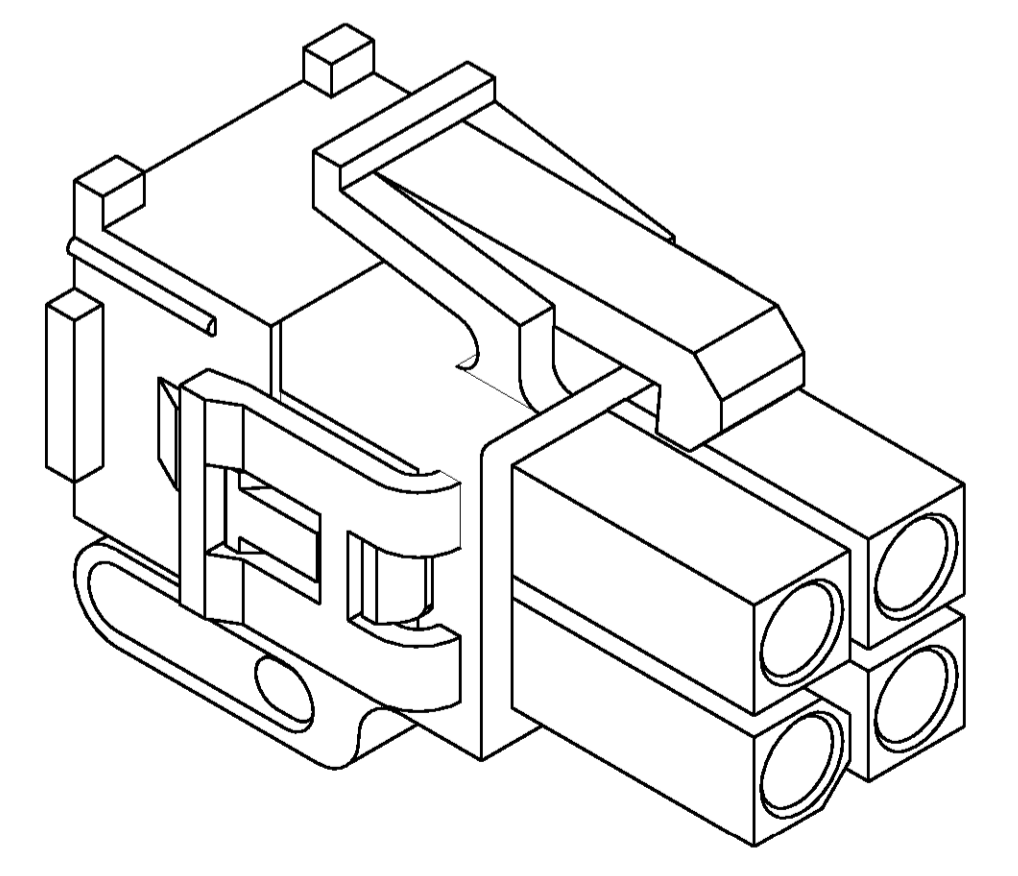
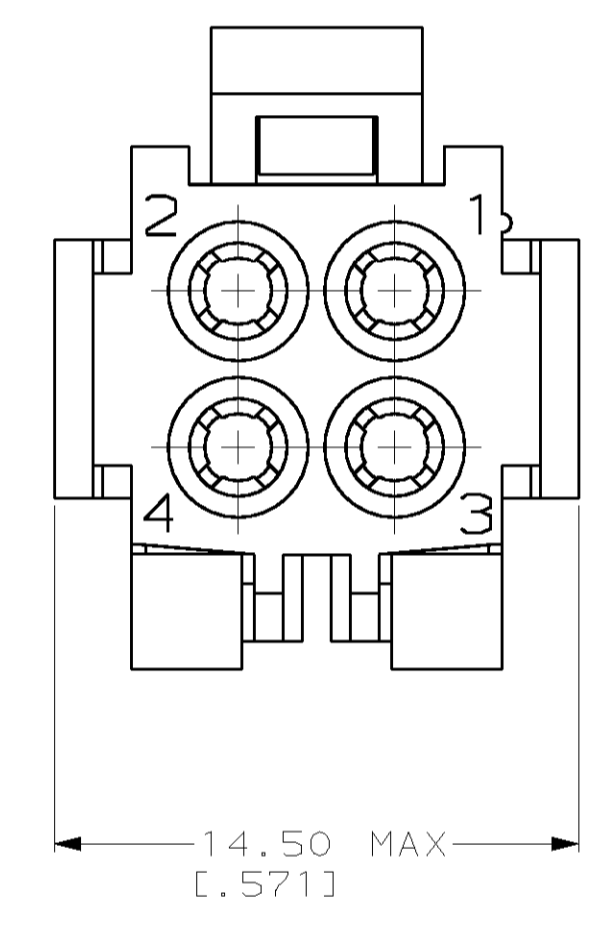
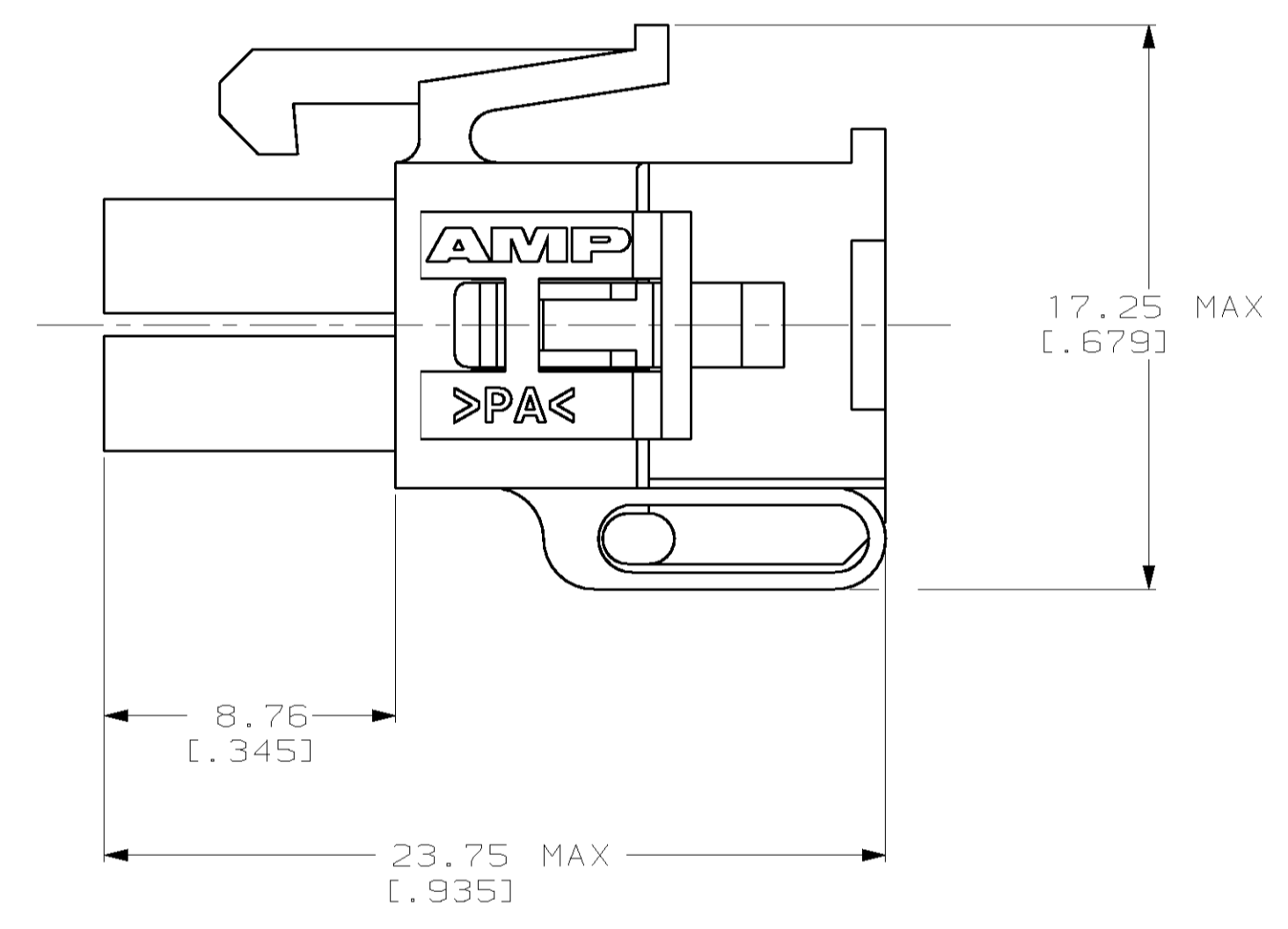
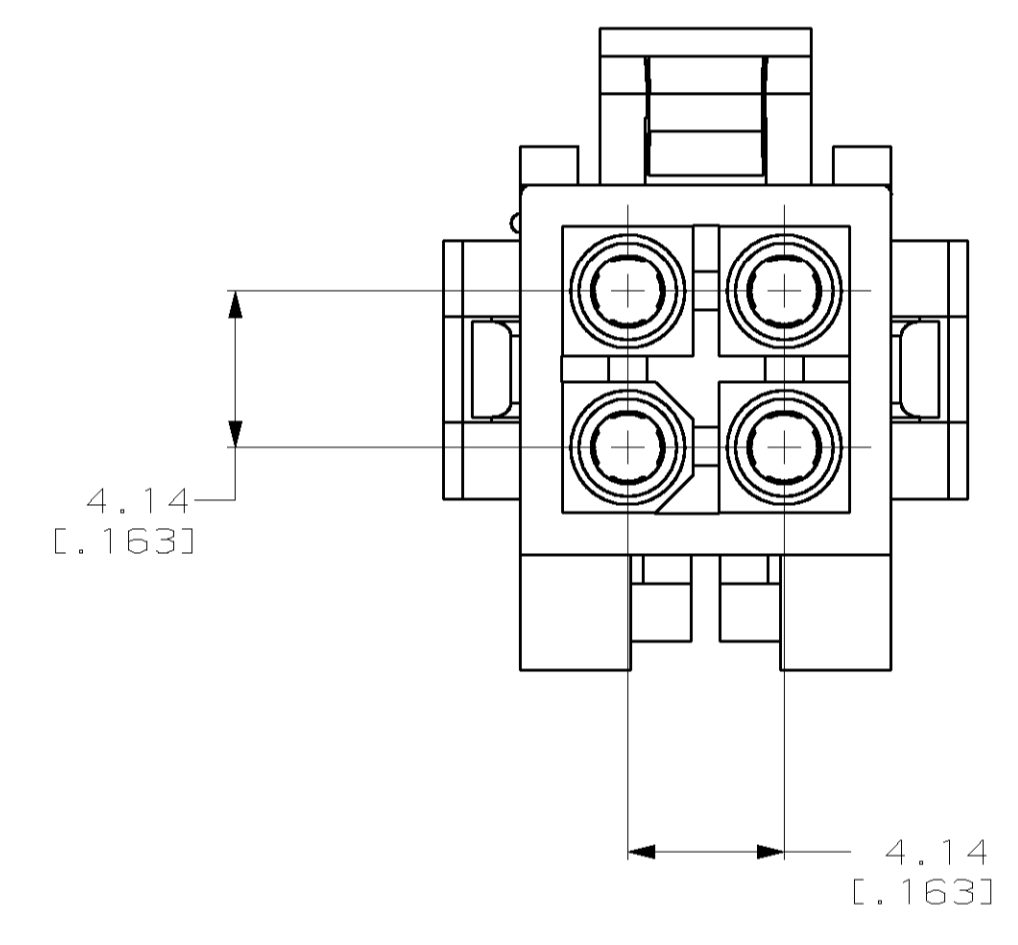


LOC		DIST		REVISIONS			
F	CHR	DATE	BY	CHK	APVD		
B		23-SEP-99	KW	EC	KC	REV PER	061B-0094-99



PRE-STAGED CONDITION

1. DIMENSIONS IN BRACKETS ARE IN INCHES.



3-DIMENSIONAL MODEL  
NTS

794188-1  
PART NUMBER



THIS DRAWING IS A CONTROLLED DOCUMENT.		DWN K. WHITAKER	5-12-97	<b>AMP</b> AMP Incorporated Harrisburg, PA 17105-3608
		CHK R. SWING	5-12-97	
DIMENSIONS:		APVD S. ORSTAD	5-12-97	NAME PLUG, 4 CIRCUIT, MINI UNIVERSAL MATE-N-LOK™ 2
TOLERANCES UNLESS OTHERWISE SPECIFIED:		PRODUCT SPEC		APPLICATION SPEC
0 PLC	±	APPLICATION SPEC		RESTRICTED TO
1 PLC	±	APPLICATION SPEC		SIZE CAGE CODE DRAWING NO
2 PLC	±0.13 (.005)	APPLICATION SPEC		A1 00779 C-794188
3 PLC	±	APPLICATION SPEC		WEIGHT
4 PLC	±	APPLICATION SPEC		CUSTOMER DRAWING
ANGLES	±	APPLICATION SPEC		SCALE 5:1 SHEET 1 OF 1 REV B
MATERIAL NYLON, UL 94V-0, NATURAL	FINISH -	APPLICATION SPEC		