

SIDE MOUNT FLUOROPOLYMER COVERED HEATERS

GTF6 and GTF9 Series Starts at



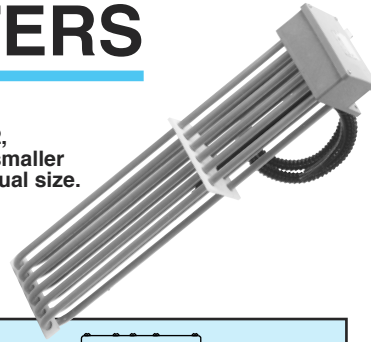
- GTF6—6 Elements**
- ✓ 6 Fluoropolymer Covered Stainless Steel Elements
 - ✓ 10 W/in²
 - ✓ 2 to 12 kW
 - ✓ 240 and 480V, 3 Phase
 - ✓ Moisture Resistant Terminal Enclosure

- GTF9—9 Elements**
- ✓ 9 Fluoropolymer Covered Stainless Steel Elements
 - ✓ 10 W/in²
 - ✓ 3 to 18 kW
 - ✓ 240 and 480V, 3 Phase
 - ✓ Moisture Resistant Terminal Enclosure

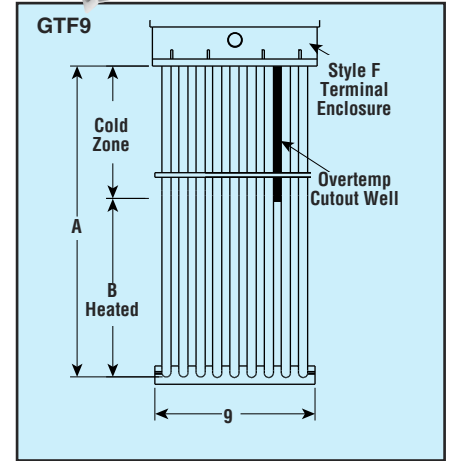
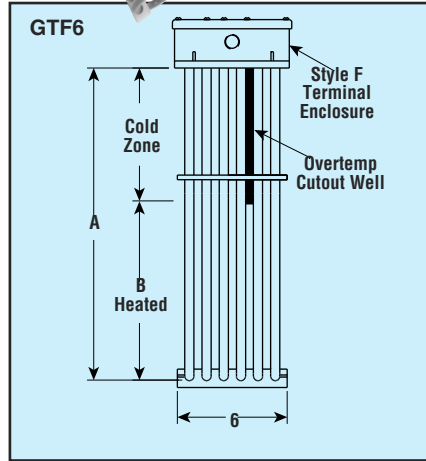
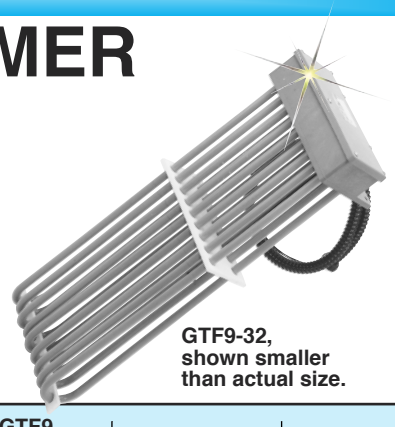
FEATURES

- ✓ Moisture Resistant Terminal Enclosure
- ✓ Side Mounted Construction with Mounting Flange
- ✓ Overtemperature Protection One Time Use Thermal Fuse (260°F), Field Replaceable
- ✓ Polypropylene Guard, Order Separately
- ✓ Custom Vertical Heights and Other Configurations Available
- ✓ Alternate Voltages and Single Phase Available

GTF6-22, shown smaller than actual size.



GTF9-32, shown smaller than actual size.



MOST POPULAR MODELS HIGHLIGHTED!

To Order (Specify Model Number)

kW	Volts	W/in ²	Phase	DIM (in)		Fluoropolymer Model No.	Wt. (lb)	Guard ¹ Model No.
				A	B			
GTF6 — 6 Elements								
2	240	10	3	17	9	GTF6-22	19	GTF6-2G
2	480	10	3	17	9	GTF6-24	19	
3	240	10	3	23	15	GTF6-32	22	GTF6-3G
3	480	10	3	23	15	GTF6-34	22	
4	240	10	3	29	21	GTF6-42	24	GTF6-4G
4	480	10	3	29	21	GTF6-44	24	
6	240	10	3	35	27	GTF6-62	27	GTF6-6G
6	480	10	3	35	27	GTF6-64	27	
8	240	10	3	47	38	GTF6-82	33	GTF6-8G
8	480	10	3	47	38	GTF6-84	33	
10	240	10	3	59	47	GTF6-102	40	GTF6-10G
10	480	10	3	59	47	GTF6-104	40	
12	240	10	3	68	55	GTF6-122	45	GTF6-12G
12	480	10	3	68	55	GTF6-124	45	
GTF9 — 9 Elements								
3	240	10	3	17	9	GTF9-32	28	GTF9-3G
3	480	10	3	17	9	GTF9-34	28	
4.5	240	10	3	23	15	GTF9-452	33	GTF9-45G
4.5	480	10	3	23	15	GTF9-454	33	
6	240	10	3	29	21	GTF9-62	36	GTF9-6G
6	480	10	3	29	21	GTF9-64	36	
9	240	10	3	35	27	GTF9-92	40	GTF9-9G
9	480	10	3	35	27	GTF9-94	40	
12	240	10	3	47	38	GTF9-122	49	GTF9-12G
12	480	10	3	47	38	GTF9-124	49	
15	240	10	3	59	47	GTF9-152	60	GTF9-15G
15	480	10	3	59	47	GTF9-154	60	
18	240	10	3	68	55	GTF9-182	67	GTF9-18G

¹Guard (not shown). Order separately by Model Number. Guard adds approximately 1/2" to overall heater dimensions.

Ordering Examples: GTF6-62, 240V, 6 kW, 6-element heater, and GTF6-6G, heater guard, GTF9-122, 12 kW heater,



UNITED STATES

www.omega.com
1-800-TC-OMEGA
Stamford, CT.

CANADA

www.omega.ca
Laval(Quebec)
1-800-TC-OMEGA

GERMANY

www.omega.de
Deckenpfronn, Germany
0800-8266342

UNITED KINGDOM

www.omega.co.uk
Manchester, England
0800-488-488

FRANCE

www.omega.fr
Guyancourt, France
088-466-342

CZECH REPUBLIC

www.omegaeng.cz
Karviná, Czech Republic
596-311-899

BENELUX

www.omega.nl
Amstelveen, NL
0800-099-33-44



More than 100,000 Products Available!

• Temperature

Calibrators, Connectors, General Test and Measurement Instruments, Glass Bulb Thermometers, Handheld Instruments for Temperature Measurement, Ice Point References, Indicating Labels, Crayons, Cements and Lacquers, Infrared Temperature Measurement Instruments, Recorders Relative Humidity Measurement Instruments, RTD Probes, Elements and Assemblies, Temperature & Process Meters, Timers and Counters, Temperature and Process Controllers and Power Switching Devices, Thermistor Elements, Probes and Assemblies, Thermocouples Thermowells and Head and Well Assemblies, Transmitters, Wire

• Flow and Level

Air Velocity Indicators, Doppler Flowmeters, Level Measurement, Magnetic Flowmeters, Mass Flowmeters, Pitot Tubes, Pumps, Rotameters, Turbine and Paddle Wheel Flowmeters, Ultrasonic Flowmeters, Valves, Variable Area Flowmeters, Vortex Shedding Flowmeters

• pH and Conductivity

Conductivity Instrumentation, Dissolved Oxygen Instrumentation, Environmental Instrumentation, pH Electrodes and Instruments, Water and Soil Analysis Instrumentation

• Data Acquisition

Auto-Dialers and Alarm Monitoring Systems, Communication Products and Converters, Data Acquisition and Analysis Software, Data Loggers Plug-in Cards, Signal Conditioners, USB, RS232, RS485 and Parallel Port Data Acquisition Systems, Wireless Transmitters and Receivers

• Pressure, Strain and Force

Displacement Transducers, Dynamic Measurement Force Sensors, Instrumentation for Pressure and Strain Measurements, Load Cells, Pressure Gauges, Pressure Reference Section, Pressure Switches, Pressure Transducers, Proximity Transducers, Regulators, Strain Gages, Torque Transducers, Valves

• Heaters

Band Heaters, Cartridge Heaters, Circulation Heaters, Comfort Heaters, Controllers, Meters and Switching Devices, Flexible Heaters, General Test and Measurement Instruments, Heater Hook-up Wire, Heating Cable Systems, Immersion Heaters, Process Air and Duct, Heaters, Radiant Heaters, Strip Heaters, Tubular Heaters