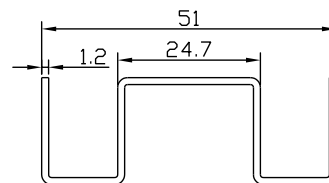
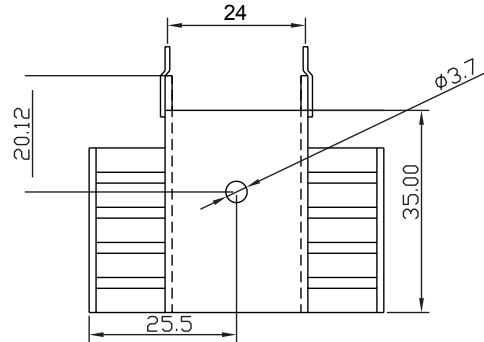


## Heatsink Extruded

High power dissipation heatsink, with solderable tags. Predrilled for a single TO218/220 package.

**Product Features:**

- Low thermal resistance
- Black anodise finish



Ant Group No:	Thermal Resistance:	Height (mm):	Device Mtg:
HHS-1804	7.0°C/W	42	Mounting Hole