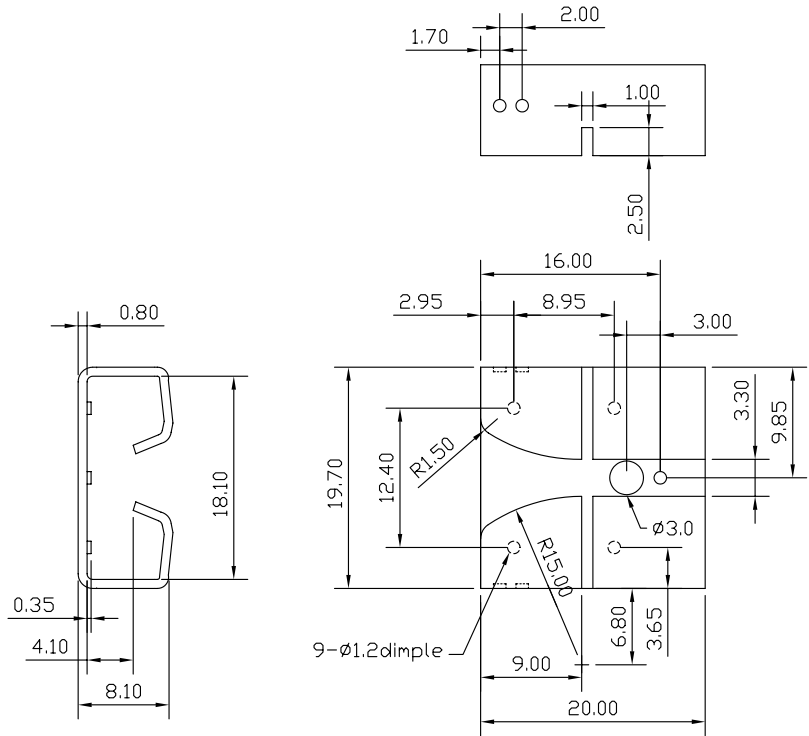


# Heatsink

A cost effective clip-on heatsink, which is designed to apply pressure directly above the junction. For use without thermal interface grease. Predrilled for TO220 package.

**Product Features:**

- Low cost
- Easy clip-on
- No thermal grease



Ant Group No:	Thermal Resistance:	Device Mtg:
HHS-1908	28.0°C/W	Clip-on