

Data sheet

PC board jack M12, A-coded, 5-pole, IP67,
rear mounting, in unmated condition, potted

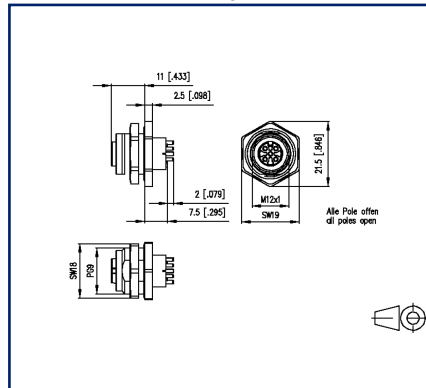
Page 1/4

P/N
MMT371A815-0009
EAN 4251394632308
2021/09/15
Version: D

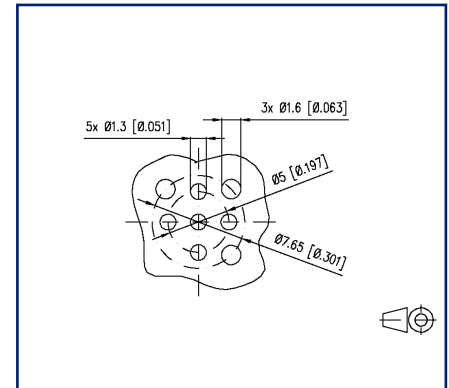
Illustrations



Dimensional drawing



Cut-out



See enlarged drawings at the end of document

Product specification

- PC board jack M12
- rear mounting
- 5-pole, A-coded according to IEC 61076-2-101
- THR solderable
- Top entry
- Contact carriers black
- IP67 in unmated condition
- suitable for applications in the railway industry



PC board jack M12, A-coded, 5-pole, IP67, rear mounting, in unmated condition, potted

P/N
MMT371A815-0009
EAN 4251394632308
 2021/09/15
 Version: D

Technical Data

General Data

Dimensions	
Dimension (D x H)	Ø 21.5 mm x 20.5 mm
Dimension (D x H)	0.846 in. x 0.807 in.
Ports	Single port
Solderability	Acc. to IPC/JEDEC J-STD-020E-MSL 1
Coding	A-coded

Electrical characteristics

Rated voltage	60 V
Current carrying capacity at 40 °C	4 A
Insulation resistance	min. 100 MOhm
Overvoltage category	II
Degree of pollution	2

Mechanical data

Material	
Material - Housing	CuZnPb
Material - Contact	CuZnPb
Contact surface	Ni + Au
Material - Insulating body	LCP UL94 V0
Color	black
RoHS	compliant
Life - Number of mating cycles	>= 100
Tightening torque - Plug	0,6 - 1 Nm
Tightening torque - Jack mounting	3 Nm +/- 0,5 Nm
Protection category	IP 67

Climatic properties

Temperature - Operating °C	-25 °C
Temperature - Operating °C	85 °C
Temperature - Operating °F	-13 °F
Temperature - Operating °F	185 °F

The product meets the following standards

Railway applications	
Electronic equipment used on rolling stock	according to DIN EN 50155
Fire protection on railway vehicles	according to DIN EN 45545-2

U | Contact

Data sheet

Page 3/4

**PC board jack M12, A-coded, 5-pole, IP67,
rear mounting, in unmated condition, potted**

P/N

MMT371A815-0009

EAN 4251394632308

2021/09/15

Version: D

Technical Data

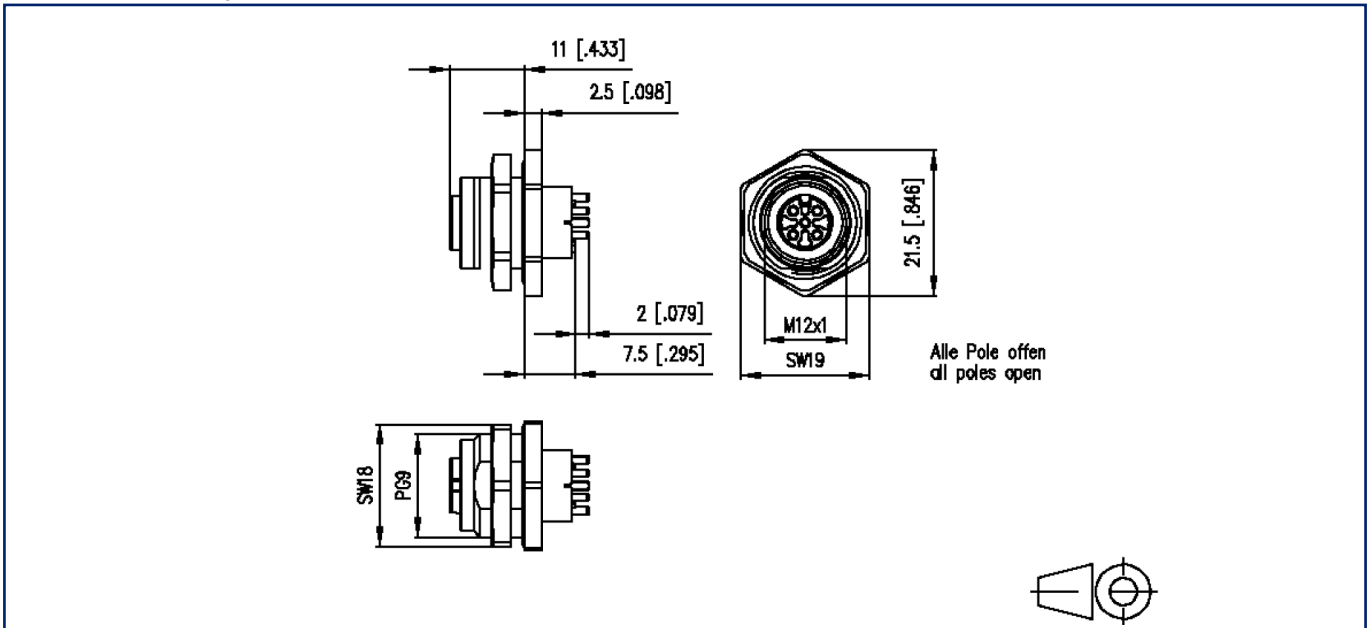
Classifications

ETIM 7.0	EC002637
ETIM 8.0	EC002637



Illustrations

Dimensional drawing



Cut-out

