

**PLEASE CHECK WWW.MOLEX.COM FOR LATEST PART INFORMATION**

**Part Number:** [0350449102](#)  
**Status:** **Active**  
**Overview:** Board-in Connectors  
**Description:** 2.00/2.50mm Board-in Terminal, Pre-Tin Plating, Wire Insulation Diameter 1.50mm max.

**Documents:**

[Drawing \(PDF\)](#) [Packaging Specification PK-35044-001-001 \(PDF\)](#)  
[Product Specification PS-35516-001-001 \(PDF\)](#) [RoHS Certificate of Compliance \(PDF\)](#)  
[Product Specification PS-68418-001-001 \(PDF\)](#)

**General**

Product Family Crimp Terminals  
 Series [35044](#)  
 Application Signal, Wire-to-Board  
 Crimp Quality Equipment Yes  
 Overview [Board-in Connectors](#)  
 Product Name Board-in  
 UPC 800754787338

**Physical**

Gender Male  
 Material - Metal Brass  
 Material - Plating Mating Tin  
 Material - Plating Termination Tin  
 Net Weight 0.033/g  
 Packaging Type Reel  
 Plating min - Mating 0.889µm  
 Plating min - Termination 0.889µm  
 Termination Interface: Style Crimp or Compression  
 Wire Insulation Diameter 1.50mm max.  
 Wire Size AWG 24, 26, 28  
 Wire Size mm<sup>2</sup> N/A

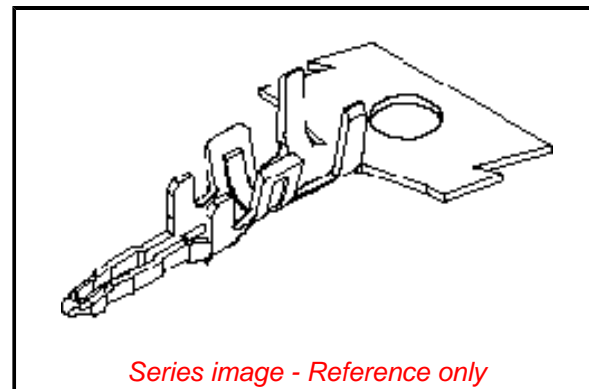
**Electrical**

Current - Maximum per Contact 2.5A  
 Voltage - Maximum 125V

**Material Info**

**Reference - Drawing Numbers**

Crimp Specification CS-35044-001-001  
 Packaging Specification PK-35044-001-001  
 Product Specification PS-35516-001-001, PS-68418-001-001  
 Sales Drawing SD-35044-001-001



**EU ELV**

**Not Relevant**

**EU RoHS**

**Compliant**

**China RoHS**

**REACH SVHC**

Not Contained Per -  
 D(2021)4569-DC (8  
 July 2021)

**Halogen-Free**

**Status**

**Low-Halogen**

For more information, please visit [Contact US](#)

China ROHS

Green Image

ELV

Not Relevant

RoHS Phthalates

Not Contained

**Search Parts in this Series**

[35044](#) Series

**Use With**

[35023](#) Housing

**Application Tooling | FAQ**

*Tooling specifications and manuals are found by selecting the products below. Crimp Height Specifications are then contained in the Application Tooling Specification document.*

**Global**

Description	Product #
Hand Crimp Tool for 2.00mm Pitch Board-In Crimp Terminals, 0.22mm <sup>2</sup> and 0.35mm <sup>2</sup> , FLY-A Wire	<a href="#">2133092500</a>
Hand Crimp Tool for 2.00mm Board-In Crimp Terminals, 28 AWG, UL1007 and UL1061 Wire	<a href="#">2133093600</a>

T2 Terminator	<u>638537000</u>
Tooling Die	
FineAdjust Applicator	<u>638637000</u>

This document was generated on 09/01/2021

**PLEASE CHECK [WWW.MOLEX.COM](http://WWW.MOLEX.COM) FOR LATEST PART INFORMATION**