

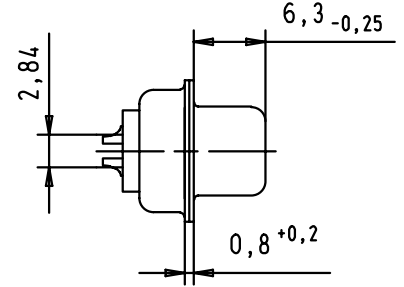
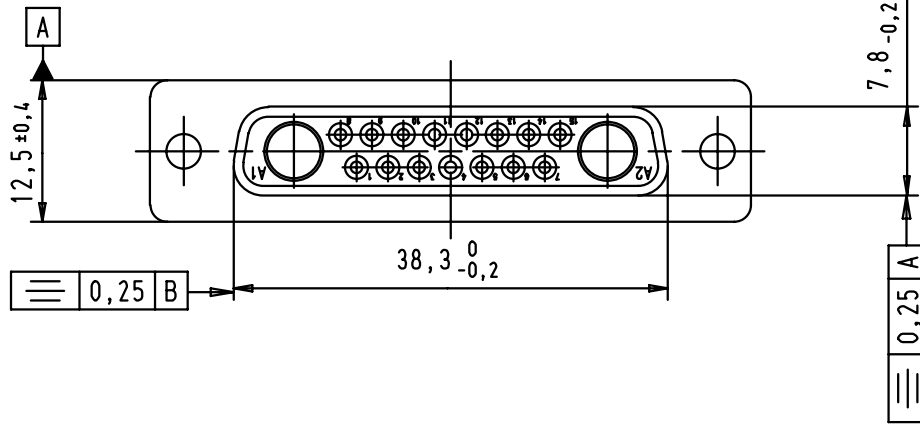
5

4

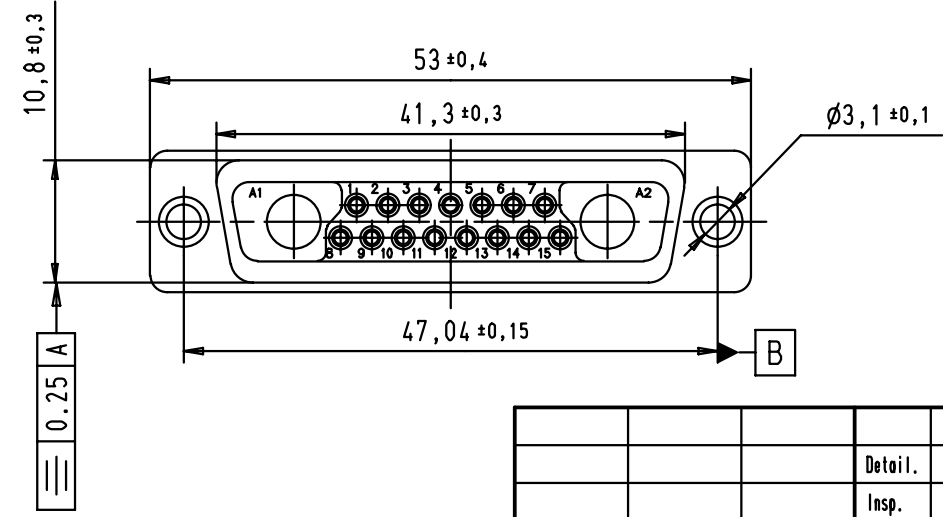
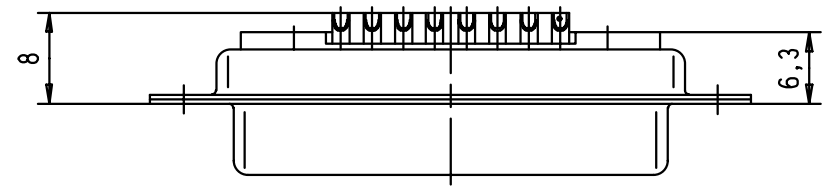
3

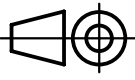

2

1



Solder bucket termination for AWG 20 (0.5 mm²)



				Detail.	13/11/01	AF	 All Dim. in mm Orig. Size DIN A 4	D-Sub, female, straight, 17W2, solder bucket, with tin plated shell	Maßstab/ Scale 1,5:1
			Insp.						
			Stand.						
29742	13/11/01	AF	HARTING EURL F-95972 Paris				TB 09 69 301 5172	Blatt/ Page 1 / 1	
Mod.	Dot.	Name	Sub.						