

NON-METALLIC FIBERGLASS ENCLOSURES

NEMA 4X (IP66) FIBERGLASS JIC SIZE JUNCTION BOXES

OM-AM Series



OM-AM1648RTW, fiberglass enclosure with stainless steel hinge, viewing window and padlocking twist latch shown with OM-HFPU164 front dead panel (sold separately).

OM-AM664, fiberglass enclosure with 4 screws closure.

All models shown much smaller than actual size.



OM-AM864LW, fiberglass enclosure with stainless steel hinge, viewing window and padlocking snap latch.



OM-AM1086RH, fiberglass raised front enclosure with stainless steel hinge and 2 screws closure.

- Suited for Higher Temperatures or Corrosive Environments
- Protect Controls and Components Indoors or Outdoors
- UL 94 Flammability Rating
- UV Stabilized
- 304 SS Hardware and Continuous Hinge
- Multiple Cover Options (Flat or Raised)
- Available with Window for Component Viewing or Monitoring
- Optional Sub-Panels Available
- Raised Cover Models Provide Added Depth for Optional Front Panels
- Available in Red, White, Blue, and Yellow in 8 to 14" Heights

OM-AM Series non-metallic fiberglass enclosures are designed to insulate and protect electrical controls and components in both indoor and outdoor applications and are especially well suited for higher temperatures and corrosive environments. These NEMA 4X (IP66) fiberglass JIC junction boxes feature flat or raised covers with a variety of latching options that allow you to provide the level of security or ease of access needed for each application. Hinged models are constructed with a stainless steel continuous hinge.

OM-AM Series fiberglass enclosures are available with the added feature of a raised cover. The cover adds an additional 1¾" of depth to accommodate switches and other devices, and can be used with the optional deadfront panel for maximum configuration within a single enclosure.

Construction

- Fiberglass Reinforced Polyester Formulation
- Closed Cell Neoprene Seal Designed for NEMA 4X (IP66) Rating
- Molded-In Hinge and Latch Keeper Designs Eliminate Wall Penetrations
- 304 SS Hardware

Closures

The OM-AM Series fiberglass enclosures are available in four closure styles.

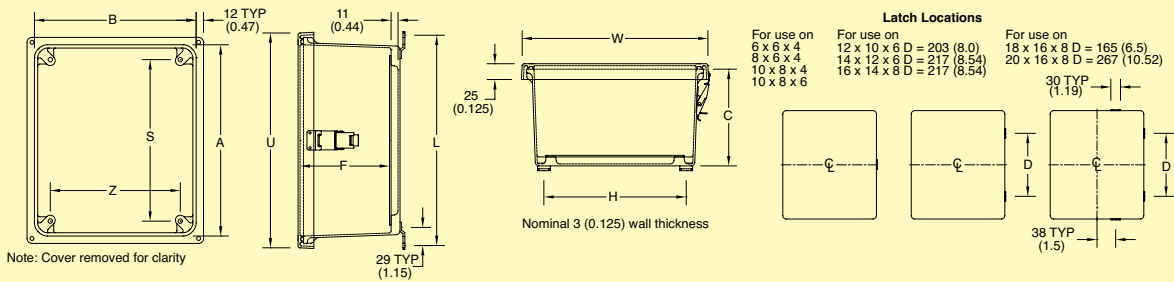
- Lift-Off Cover with Four Screws
- Stainless Steel Hinge on One Side with 2 Screws on the Opposite Side
- Padlocking Snap Latch or Twist Latch with Stainless Steel Hinge

SPECIFICATIONS

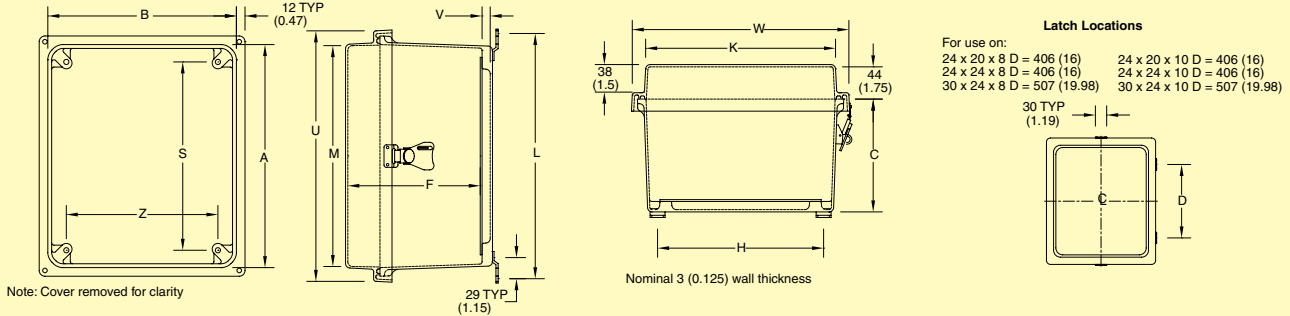
Service Temperature Rating: -35 to 130°C (-31 to 266°F)

Standards: UL Types 1, 2, 3, 4, 4X, 12 and 13; CSA Types 1, 2, 3, 3R, 4 4X, 12 and 13; NEMA Types 1, 2, 3, 3R, 4, 4X, 12 and 13; IEC Type IP66

Flat Front Cover Dimensions: mm (inch)



Raised Front Cover Dimensions: mm (inch)



FLAT FRONT COVER DIMENSIONS: mm (inch)

MODEL NUMBER	BOX SIZE			USABLE DEPTH F	PANEL BOSS CENTERS		FOOT MOUNT CENTERS		COVER SIZE		WINDOW HEIGHT X WIDTH
	A	B	C		S	Z	H	L	U	W	
OM-AM664	155 (6.10)	155 (6.10)	106 (4.18)	96 (3.76)	108 (4.25)	108 (4.25)	127 (5.01)	186 (7.32)	195 (7.69)	195 (7.69)	108 x 108 (4.25 x 4.25)
OM-AM864	203 (8.00)	156 (6.13)	105 (4.13)	93 (3.68)	159 (6.25)	108 (4.25)	127 (5.01)	233 (9.19)	244 (9.59)	196 (7.71)	159 x 108 (6.25 x 4.25)
OM-AM1084	258 (10.14)	210 (8.26)	105 (4.13)	93 (3.68)	210 (8.25)	159 (6.25)	178 (7.01)	284 (11.19)	298 (11.73)	250 (9.85)	213 x 159 (8.38 x 6.50)
OM-AM1086	258 (10.14)	210 (8.26)	156 (6.13)	144 (5.68)	210 (8.25)	159 (6.25)	178 (7.01)	284 (11.19)	298 (11.73)	250 (9.85)	213 x 159 (8.38 x 6.50)
OM-AM1206	308 (12.14)	261 (10.26)	156 (6.13)	144 (5.68)	260 (10.25)	210 (8.25)	229 (9.01)	335 (13.19)	349 (13.73)	301 (11.85)	264 x 216 (10.38 x 8.50)
OM-AM1426	359 (14.13)	311 (12.26)	156 (6.13)	144 (5.68)	311 (12.25)	260 (10.25)	280 (11.01)	386 (15.19)	400 (15.73)	352 (13.85)	314 x 267 (12.38 x 10.50)
OM-AM1648	413 (16.27)	366 (14.4)	207 (8.13)	195 (7.68)	362 (14.25)	311 (12.25)	330 (13.01)	437 (17.19)	454 (17.87)	406 (15.99)	330 x 279 (13.00 x 11.00)
OM-AM1868	467 (18.40)	417 (16.40)	207 (8.13)	195 (7.68)	413 (16.25)	362 (14.25)	380 (14.97)	490 (19.28)	508 (20.00)	457 (18.00)	356 x 305 (14.00 x 12.00)
OM-AM2068	508 (20.00)	406 (16.00)	207 (8.13)	195 (7.68)	452 (17.81)	351 (13.81)	369 (14.54)	529 (20.84)	548 (21.59)	447 (17.95)	381 x 279 (15.00 x 11.00)

RAISED FRONT COVER DIMENSIONS: mm (inch)

MODEL NUMBER	BOX SIZE			USABLE DEPTH F	PANEL BOSS CENTERS		FOOT MOUNT CENTERS		COVER SIZE				WINDOW HEIGHT X WIDTH
	A	B	C		S	Z	H	L	K	M	U	W	
OM-AM664	155 (6.10)	155 (6.10)	106 (4.18)	134 (5.26)	108 (4.25)	108 (4.25)	127 (5.01)	186 (7.32)	154 (6.08)	154 (6.08)	195 (7.69)	195 (7.69)	108 x 108 (4.25 x 4.25)
OM-AM864	203 (8.00)	156 (6.13)	105 (4.13)	132 (5.21)	159 (6.25)	108 (4.25)	127 (5.01)	233 (9.19)	155 (6.11)	203 (7.98)	244 (9.59)	196 (7.71)	159 x 108 (6.25 x 4.25)
OM-AM1084	258 (10.14)	210 (8.26)	105 (4.13)	132 (5.21)	210 (8.25)	159 (6.25)	178 (7.01)	284 (11.19)	214 (8.44)	262 (10.32)	298 (11.73)	250 (9.85)	213 x 159 (8.38 x 6.50)
OM-AM1086	258 (10.14)	210 (8.26)	156 (6.13)	183 (7.21)	210 (8.25)	159 (6.25)	178 (7.01)	284 (11.19)	214 (8.44)	262 (10.32)	298 (11.73)	250 (9.85)	213 x 159 (8.38 x 6.50)
OM-AM1206	308 (12.14)	261 (10.26)	156 (6.13)	183 (7.21)	260 (10.25)	210 (8.25)	229 (9.01)	335 (13.19)	265 (10.45)	313 (12.32)	349 (13.73)	301 (11.85)	264 x 216 (10.38 x 8.50)
OM-AM1426	359 (14.13)	311 (12.26)	156 (6.13)	183 (7.21)	311 (12.25)	260 (10.25)	280 (11.01)	386 (15.19)	316 (12.45)	364 (14.32)	400 (15.73)	352 (13.85)	314 x 267 (12.38 x 10.50)
OM-AM1648	413 (16.27)	366 (14.4)	207 (8.13)	234 (9.21)	362 (14.25)	311 (12.25)	330 (13.01)	437 (17.19)	352 (13.86)	400 (15.73)	454 (17.87)	406 (15.99)	330 x 279 (13.00 x 11.00)
OM-AM1868	467 (18.40)	417 (16.40)	207 (8.13)	234 (9.21)	413 (16.25)	362 (14.25)	380 (14.97)	490 (19.28)	403 (15.86)	454 (17.86)	508 (20.00)	457 (18.00)	356 x 305 (14.00 x 12.00)
OM-AM2068	508 (20.00)	406 (16.00)	207 (8.13)	234 (9.21)	452 (17.81)	351 (13.81)	369 (14.54)	529 (20.84)	392 (15.43)	494 (19.43)	548 (21.59)	447 (17.95)	381 x 279 (15.00 x 11.00)



Pole mount kits for up to 406 mm (16") dia. poles available. See accessories chart below.

Pole mount kits are 14 gauge (0.075") galvanized steel with 48" SS pole clamp and includes #10-32 SS screws, washers and lock nuts.

OM-AMKEYLOCKFC, key lock kit with water tight cover.



ACCESSORIES

SUB-PANELS			
FIBERGLASS	ALUMINUM	STEEL	DESCRIPTION
OM-PF66	OM-PA66	SCE-6P6	Sub-panel for 6 x 6" enclosure
OM-PF86	OM-PA86	SCE-8P6	Sub-panel for 8 x 6" enclosure
OM-PF108	OM-PA108	SCE-10P8	Sub-panel for 10 x 8" enclosure
OM-PF120	OM-PA120	SCE-12P10	Sub-panel for 12 x 10" enclosure
OM-PF142	OM-PA142	SCE-14P12	Sub-panel for 14 x 12" enclosure
OM-PF164	OM-PA164	SCE-16P14	Sub-panel for 16 x 14" enclosure
OM-PF186	OM-PA186	OM-P186	Sub-panel for 18 x 16" enclosure
OM-PF206	OM-PA206	OM-P206	Sub-panel for 20 x 16" enclosure
FRONT-PANELS	DESCRIPTION		
OM-HFPU66	Aluminum front-panel for 6 x 6" for raised cover enclosure		
OM-HFPU86	Aluminum front-panel for 8 x 6" for raised cover enclosure		
OM-HFPU108	Aluminum front-panel for 10 x 8" for raised cover enclosure		
OM-HFPU120	Aluminum front-panel for 12 x 10" for raised cover enclosure		
OM-HFPU142	Aluminum front-panel for 14 x 12" for raised cover enclosure		
OM-HFPU164	Aluminum front-panel for 16 x 14" for raised cover enclosure		
OM-HFPU186	Aluminum front-panel for 18 x 16" for raised cover enclosure		
OM-HFPU206	Aluminum front-panel for 20 x 16" for raised cover enclosure		
KEY LOCK KITS	DESCRIPTION		
OM-AMKEYLOCKFC	Key lock kit for flat cover enclosures, 6 x 6 thru 20 x 16"		
OM-AMKEYLOCKRC	Key lock kit for raised cover enclosures, 6 x 6 thru 20 x 16"		
OM-AMKEYLOCKRCHFP	Key lock kit for raised cover enclosures with front panels, 10 x 8 thru 20 x 16"		
POLE MOUNT KIT	DESCRIPTION		
OM-AMPOLEMNT6	Pole mount kit for 6" wide fiberglass enclosures		
OM-AMPOLEMNT8	Pole mount kit for 8" wide fiberglass enclosures		
OM-AMPOLEMNT10	Pole mount kit for 10" wide fiberglass enclosures		
OM-AMPOLEMNT12	Pole mount kit for 12" wide fiberglass enclosures		
OM-AMPOLEMNT14	Pole mount kit for 14" wide fiberglass enclosures		
OM-AMPOLEMNT16	Pole mount kit for 16" wide fiberglass enclosures		

Note: Key lock kits cannot be used on window models. Water tight cover and 2 keys included

OM-AM1086R, fiberglass raised front enclosure with stainless steel hinge and 2 screws closure.



OM-AM1648RTW, fiberglass enclosure with stainless steel hinge, viewing window and padlocking twist latch. Shown with OM-HFPU164 front dead panel sold separately.

To Order

NON-METALLIC FIBERGLASS ENCLOSURES

RAISED COVER SCREW CLOSURE MODELS

MODEL NO. WITHOUT HINGES	MODEL NO. WITH HINGES	HEIGHT	DIMENSIONS: INCHES	
			WIDTH	DEPTH
OM-AM664R	OM-AM664RH	6	6	4
OM-AM664RW	OM-AM664RHW	6	6	4
OM-AM864R	OM-AM864RH	8	6	4
OM-AM864RW	OM-AM864RHW	8	6	4
OM-AM1084R	OM-AM1084RH	10	8	4
OM-AM1084RW	OM-AM1084RHW	10	8	4
OM-AM1086R	OM-AM1086RH	10	8	6
OM-AM1086RW	OM-AM1086RHW	10	8	6
OM-AM1206R	OM-AM1206RH	12	10	6
OM-AM1206RW	OM-AM1206RHW	12	10	6
OM-AM1426R	OM-AM1426RH	14	12	6
OM-AM1426RW	OM-AM1426RHW	14	12	6
OM-AM1648R	OM-AM1648RH	16	14	8
OM-AM1648RW	OM-AM1648RHW	16	14	8
OM-AM1868R	OM-AM1868RH	18	16	8
OM-AM1868RW	OM-AM1868RHW	18	16	8
OM-AM2068R	OM-AM2068RH	20	16	8
OM-AM2068RW	OM-AM2068RHW	20	16	8

RAISED COVER PADLOCKING LATCH CLOSURE MODELS

MODEL NO. WITH SNAP LATCHES	MODEL NO. WITH TWIST LATCHES	HEIGHT	DIMENSIONS: INCHES	
			WIDTH	DEPTH
OM-AM664RL	OM-AM664RT	6	6	4
OM-AM664RLW	OM-AM664RTW	6	6	4
OM-AM864RL	OM-AM864RT	8	6	4
OM-AM864RLW	OM-AM864RTW	8	6	4
OM-AM1084RL	OM-AM1084RT	10	8	4
OM-AM1084RLW	OM-AM1084RTW	10	8	4
OM-AM1086RL	OM-AM1086RT	10	8	6
OM-AM1086RLW	OM-AM1086RTW	10	8	6
OM-AM1206RL	OM-AM1206RT	10	8	6
OM-AM1206RLW	OM-AM1206RTW	12	10	6
OM-AM1426RL	OM-AM1426RT	14	12	6
OM-AM1426RLW	OM-AM1426RTW	14	12	6
OM-AM1648RL	OM-AM1648RT	16	14	8
OM-AM1648RLW	OM-AM1648RTW	16	14	8
OM-AM1868RL	OM-AM1868RT	18	16	8
OM-AM1868RLW	OM-AM1868RTW	18	16	8
OM-AM2068RL	OM-AM2068RT	20	16	8
OM-AM2068RLW	OM-AM2068RTW	20	16	8

Note: "W" indicates model with viewing window. Color can be special ordered for 20.32 to 35.56 cm (8 to 14") heights, add "-R" for red, "-B" for blue, "-Y" for yellow and "-W" for white.



OM-AM664, fiberglass enclosure with 4 screws closure.



OM-AM864LW, fiberglass enclosure with stainless steel hinge, viewing window and padlocking snap latch.

To Order

NON-METALLIC FIBERGLASS ENCLOSURES

FLAT COVER SCREW CLOSURE MODELS

MODEL NO. WITHOUT HINGES	MODEL NO. WITH HINGES	HEIGHT	DIMENSIONS: INCHES	
			WIDTH	DEPTH
OM-AM664	OM-AM664H	6	6	4
OM-AM664W	OM-AM664HW	6	6	4
OM-AM864	OM-AM864H	8	6	4
OM-AM864W	OM-AM864HW	8	6	4
OM-AM1084	OM-AM1084H	10	8	4
OM-AM1084W	OM-AM1084HW	10	8	4
OM-AM1086	OM-AM1086H	10	8	6
OM-AM1086W	OM-AM1086HW	10	8	6
OM-AM1206	OM-AM1206H	12	10	6
OM-AM1206W	OM-AM1206HW	12	10	6
OM-AM1426	OM-AM1426H	14	12	6
OM-AM1426W	OM-AM1426HW	14	12	6
OM-AM1648	OM-AM1648H	16	14	8
OM-AM1648W	OM-AM1648HW	16	14	8
OM-AM1868	OM-AM1868H	18	16	8
OM-AM1868W	OM-AM1868HW	18	16	8
OM-AM2068	OM-AM2068H	20	16	8
OM-AM2068W	OM-AM2068HW	20	16	8

FLAT COVER PADLOCKING LATCH CLOSURE MODELS

MODEL NO. WITH SNAP LATCHES	MODEL NO. WITH TWIST LATCHES	HEIGHT	DIMENSIONS: INCHES	
			WIDTH	DEPTH
OM-AM664L	OM-AM664T	6	6	4
OM-AM664LW	OM-AM664TW	6	6	4
OM-AM864L	OM-AM864T	8	6	4
OM-AM864LW	OM-AM864TW	8	6	4
OM-AM1084L	OM-AM1084T	10	8	4
OM-AM1084LW	OM-AM1084TW	10	8	4
OM-AM1086L	OM-AM1086T	10	8	6
OM-AM1086LW	OM-AM1086TW	10	8	6
OM-AM1206L	OM-AM1206T	12	10	6
OM-AM1206LW	OM-AM1206TW	12	10	6
OM-AM1426L	OM-AM1426T	14	12	6
OM-AM1426LW	OM-AM1426TW	14	12	6
OM-AM1648L	OM-AM1648T	16	14	8
OM-AM1648LW	OM-AM1648TW	16	14	8
OM-AM1868L	OM-AM1868T	18	16	8
OM-AM1868LW	OM-AM1868TW	18	16	8
OM-AM2068L	OM-AM2068T	20	16	8
OM-AM2068LW	OM-AM2068TW	20	16	8

Note: "W" indicates model with viewing window. Color can be special ordered for 8 to 14" heights, add "-R" for red, "-B" for blue, "-Y" for yellow and "-W" for white.

All OM-AM Series enclosures come complete with 304 stainless steel mounting feet and screws.

Ordering Examples: OM-AM664, 6 x 6 x 4" flat fiberglass enclosure.

OM-AM1206RLW, raised cover fiberglass enclosure with UV resistant polycarbonate viewing window and snap latches 2 x 10 x 6", and SCE-12P10, steel sub-panel for 12 x 10" enclosure.