

# HIGH-ACCURACY FULL BRIDGE OUTPUT PRESSURE TRANSDUCER

0-10 to 0-7500 psi  
0-0.70 to 0-517 bar

## PX931 Series



- ✓ Rugged Stainless Steel Case Protects Components in Industrial Environments
- ✓ Connects to a PT06F10-6S-R Connector for Easy Field Connections
- ✓ Stainless Steel Diaphragm Welded for Compatibility with Most Media
- ✓ Uses a Standard 10 Vdc Regulated Power Supply for Maximum Versatility
- ✓ 1/4 NPT Process Fitting for Fast, Easy, and Secure Installation
- ✓ Excellent Temperature Stability
- ✓ Units 100 psi and Below are Vented Gage for High Precision

### SPECIFICATIONS

**Excitation:** 10 Vdc (15 Vdc max)  
@ 30 mA

**Output:** 30 mV ±0.25% @ 10 Vdc

**Sensitivity:** 3 mV/V

**Input Impedance:** 350 Ω min

**Output Resistance:** 350 ±5 Ω

**Insulation Resistance:** >5 MΩ

@ 75 Vdc

**Accuracy:** 0.15%

**Hysteresis:** ±0.10%

**Repeatability:** ±0.05%

**Zero Balance:** ±1.0%

**Shunt Calibration:** 59 kΩ

**Operating Temperature Range:**

-73 to 163°C (-100 to 325°F)

**Compensated Temperature Range:**

16 to 71°C (60 to 160°F)



PX931-3KSV,  
shown smaller  
than actual size.

**Thermal Zero Effect:**

±0.005% FS/°F

**Thermal Sensitivity Effect:**

±0.005% rdg/°F

**Proof Pressure:** 150% of range

**Burst Pressure:** 300% of range

**Body Material:** 17-4 PH stainless steel, hermetically sealed

**Diaphragm Material:** 17-4 PH SS

**Pressure Port:** 1/4-18 NPT

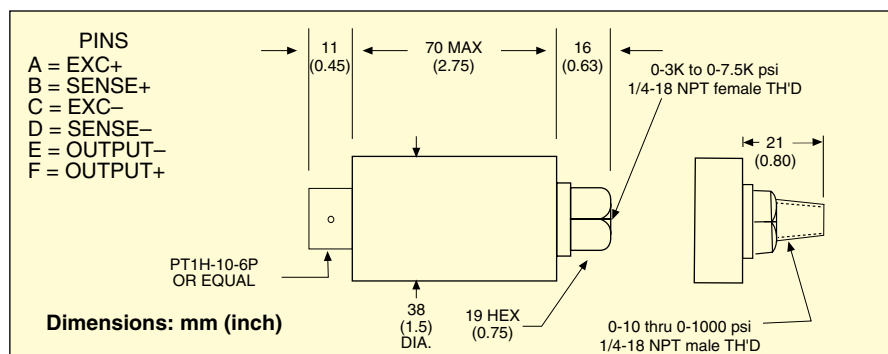
**Male Thread:** 10 to 1000 psi

**Female Thread:** 3000 to 7500 psi

**Mating Connector** PT06F10-6S-R  
(not included)

**Pressure Cavity Volume:** 0.171 in<sup>3</sup>

**Weight:** 290 g (10 oz)



### To Order

RANGE		MODEL NO.	COMPATIBLE METERS*
0 to 10 psi	0 to 0.69 bar	PX931-010GV	DP41-S, DP25B-S, DP3002-S
0 to 25 psi	0 to 1.72 bar	PX931-025GV	DP41-S, DP25B-S, DP3002-S
0 to 50 psi	0 to 3.4 bar	PX931-050GV	DP41-S, DP25B-S, DP87
0 to 100 psi	0 to 6.9 bar	PX931-100SV	DP41-S, DP25B-S, DP87
0 to 200 psi	0 to 13.8 bar	PX931-200SV	DP41-S, DP25B-S, DP3002-S
0 to 500 psi	0 to 34.5 bar	PX931-500SV	DP41-S, DP25B-S, DP87
0 to 1000 psi	0 to 68.9 bar	PX931-1KSV	DP41-S, DP25B-S, DP87
0 to 3000 psi	0 to 207 bar	PX931-3KSV	DP41-S, DP25B-S, DP41-S
0 to 5000 psi	0 to 345 bar	PX931-5KSV	DP41-S, DP25B-S, DP87
0 to 7500 psi	0 to 517 bar	PX931-7.5KSV	DP41-S, DP25B-S, DP87

Comes with 5-point calibration.

\* Visit us online for compatible meters.

Absolute ranges available. Change "G" to "A" in model number, for additional cost.

**Ordering Examples:** PX931-500SV, 500 psi sealed gage pressure transducer.

PX931-025GV, 25 psi gage pressure transducer. PT06F10-6S-R, mating connector (sold separately).



MILLIVOLT OUTPUT  
PRESSURE TRANSDUCERS

B

# HIGH-ACCURACY PRESSURE TRANSMITTER WITH SHUNT CALIBRATOR FOR QUICK CALIBRATION CHECKS

**PX941A Series**  
0-10 to 0-7500 psi  
0-0.7 to 0-500 bar



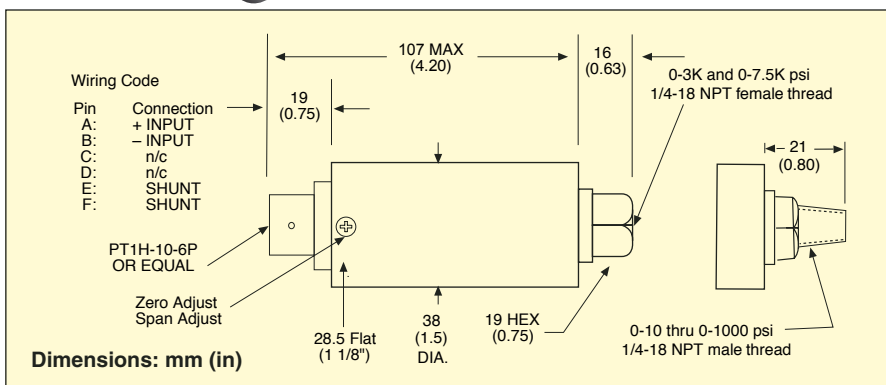
PX941A-025GI, shown smaller than actual size.



- ✓ **Stainless Steel Diaphragm for Compatibility with Most Media**
- ✓ **1/4 NPT Fitting for Fast, Easy, and Secure Installation**
- ✓ **Rugged Stainless Steel Case Protects Components from Industrial Environments**
- ✓ **Quick-Disconnect Style for Easy Field Connections**
- ✓ **2-Wire, 4 to 20 mA Output Provides Excellent Noise Immunity over Long Cable Runs**
- ✓ **Adjustable Zero and Span**
- ✓ **Units ≤50 psi are Vented Gage for High Precision**

## SPECIFICATIONS

**Excitation:** 12 to 40 Vdc @ 20 mA  
**Output:** 4 to 20 mA (2 wire) (±10% adjustable)  
**Insulation Resistance:** 5 MΩ @ 75 Vdc  
**PERFORMANCE**  
**Accuracy:** ±0.15% (combined effect of linearity, hysteresis and repeatability)  
**Shunt Value:** On calibration sheet (80% FS)  
**Hysteresis:** ±0.10% typical  
**Repeatability:** ±0.05% typical  
**Zero Balance:** 4 mA (+10%, -2% adj)  
**Operating Temperature Range:** -18 to 85°C (0 to 185°F)  
**Compensated Temperature Range:** 16 to 71°C (60 to 160°F)  
**Thermal Zero Effect:** ±0.005% full scale/°F  
**Thermal Sensitivity Effect:** ±0.005% reading/°F



**Proof Pressure:** 150% range  
**Burst Pressure:** 300% range

## CONSTRUCTION

**Body Material:** 17-4 PH stainless steel  
**Diaphragm Material:** 17-4 PH stainless steel

**Pressure Port:** 1/4-18 NPT  
**Male Thread:** 10 to 1000 psi  
**Female thread:** 3000 to 7500 psi  
**Mating Connector:** PT06F10-6S-R (not included)  
**Weight:** 383 g (13.5 oz)

**MOST POPULAR MODELS HIGHLIGHTED!**

## To Order (Specify Model Number)

RANGE	MODEL NO.	COMPATIBLE METERS*
0 to 10 psi	PX941A-010GI	DP41-E, DP25B-E, DP460
0 to 25 psi	PX941A-025GI	DP41-E, DP25B-E, DP460
0 to 50 psi	PX941A-050GI	DP41-E, DP25B-E, DP460
0 to 100 psi	PX941A-100SI	DP41-E, DP25B-E, DP460
0 to 200 psi	PX941A-200SI	DP41-E, DP25B-E, DP460
0 to 500 psi	PX941A-500SI	DP41-E, DP25B-E, DP460
0 to 1000 psi	PX941A-1KSI	DP41-E, DP25B-E, DP460
0 to 3000 psi	PX941A-3KSI	DP41-E, DP25B-E, DP460
0 to 5000 psi	PX941A-5KSI	DP41-E, DP25B-E, DP460
0 to 7500 psi	PX941A-7.5KSI	DP41-E, DP25B-E, DP460

Comes with 5-point calibration.

\* See section D for compatible meters.

Absolute ranges available. Change "G" or "S" to "A" in model number.

**Ordering Examples:** PX941A-050GI, 50 psi gage transmitter with 4 to 20 mA output.

PX941A-1KSI, 1000 psi sealed gage transmitter with 4 to 20 mA output.

PT06F10-6S-R, mating connector (not included).

## ACCESSORY

MODEL NO.	DESCRIPTION
EE-2584	Reference Book: Process Plant Instrumentation

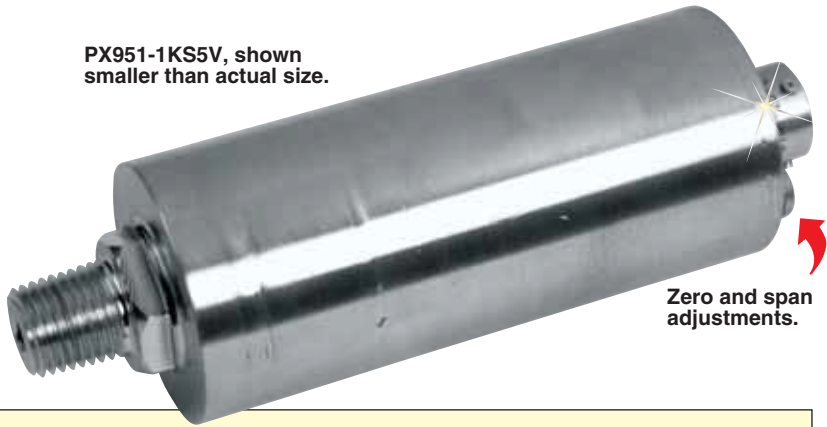


# HIGH-ACCURACY VOLTAGE OUTPUT PRESSURE TRANSDUCER WITH SHUNT FOR QUICK CALIBRATION CHECKS

**PX951 Series**  
0-10 to 0-7500 psi  
0-0.7 to 0-500 bar



PX951-1KS5V, shown smaller than actual size.



Zero and span adjustments.



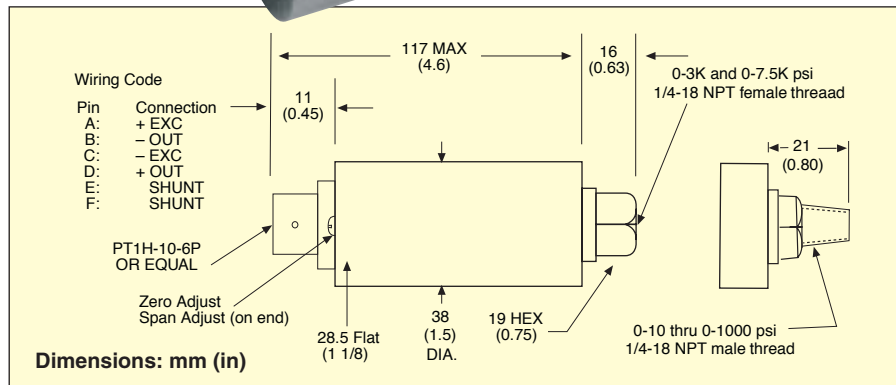
- ✓ **Stainless Steel Diaphragm for Compatibility with Most Media**
- ✓ **1/4 NPT Fitting for Fast, Easy, and Secure Installation**
- ✓ **Rugged Stainless Steel Case Protects Components from Industrial Environments**
- ✓ **Quick Disconnect Style for Easy Field Connections**
- ✓ **0 to 5 Vdc Output for Maximum Versatility**
- ✓ **Adjustable Zero and Span**
- ✓ **Units ≤ 50 psi are Vented Gage for High Precision**

## SPECIFICATIONS

**Excitation:** 24 to 32 Vdc @ 25 mA  
**Output:** 0 to 5 Vdc (4 wire) ±10% adj  
**Insulation Resistance:** 5 MΩ @ 75 Vdc

## PERFORMANCE

**Accuracy:** ±0.15% (combined effect of linearity, hysteresis and repeatability)  
**Hysteresis:** ±0.10% typical  
**Repeatability:** +0.05% typical  
**Zero Balance:** 0 Vdc ±10% adj  
**Shunt Value:** 80% full scale  
**Response Time:** 2 ms  
**Operating Temperature Range:** -45 to 121°C (-50 to 250°F)  
**Compensated Temperature Range:** 16 to 71°C (60 to 160°F)  
**Thermal Zero Effect:** ±0.005% full scale/°F  
**Thermal Sensitivity Effect:** ±0.005% reading/°F  
**Proof Pressure:** 150% range



**Burst Pressure:** 300% range

## CONSTRUCTION

**Body Material:** 17-4 PH stainless steel  
**Diaphragm Material:** 17-4 PH stainless steel  
**Pressure Port:** 1/4-18 NPT

**Male Thread:** 10 to 1000 psi  
**Female thread:** 3000 to 7500 psi  
**Mating Connector:** PT06F10-6S-R (not included)  
**Weight:** 383 g (13.5 oz)

**MOST POPULAR MODELS HIGHLIGHTED!**

## To Order (Specify Model Number)

RANGE		MODEL NO.	COMPATIBLE METERS*
0 to 10 psi	0 to 0.69 bar	PX951-010G5V	DP41-E, DP25B-E, DP460
0 to 25 psi	0 to 1.7 bar	PX951-025G5V	DP41-E, DP25B-E, DP460
0 to 50 psi	0 to 3.4 bar	PX951-050G5V	DP41-E, DP25B-E, DP460
0 to 100 psi	0 to 6.9 bar	PX951-100S5V	DP41-E, DP25B-E, DP460
0 to 200 psi	0 to 13.8 bar	PX951-200S5V	DP41-E, DP25B-E, DP460
0 to 500 psi	0 to 34.5 bar	PX951-500S5V	DP41-E, DP25B-E, DP460
0 to 1000 psi	0 to 68.9 bar	PX951-1KS5V	DP41-E, DP25B-E, DP460
0 to 3000 psi	0 to 207 bar	PX951-3KS5V	DP41-E, DP25B-E, DP460
0 to 5000 psi	0 to 345 bar	PX951-5KS5V	DP41-E, DP25B-E, DP460
0 to 7500 psi	0 to 517 bar	PX951-7.5KS5V	DP41-E, DP25B-E, DP460

Comes with 5-point calibration.

\* See section D for compatible meters.

Absolute ranges available, replace "G" or "S" with "A" in model number.

**Ordering Examples:** PX951-050G5V, 50 psi gage transmitter with 0 to 5 Vdc output.

PX951-1KA5V, 1000 psi absolute transmitter with 0 to 5 Vdc output.

PT06F10-6S-R, mating connector (not included).

## ACCESSORY

MODEL NO.	DESCRIPTION
ME-1756	Reference Book: Practical Injection Molding

