

# Castors

## Twin Wheel

34 8021



34 8010 and 348011



**Features:**

- Offers a twin wheeled castors for furniture with various fittings, top plate, threaded stems, wood socket fixings.
- Some castors are available with brakes.

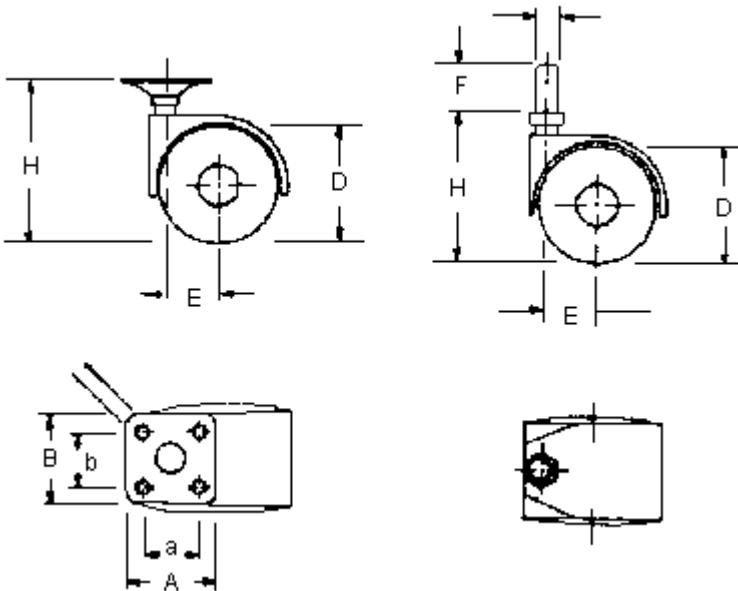
34 8022



34 8009 and 34 8012



**Twin Wheel - Assorted Fittings:**



Dimensions : Millimetres

**Specifications:**

Wheel diameter (D)	: 50mm.
Overall width (b)	: 48mm.
Overall height (H)	: 66mm.
Offset (E)	: 21mm.
Carrying capacity	: 55kg.

# Castors

## Twin Wheel



### Specification Table

Description	Top Plate		8mm Threaded Stem % x Length	10mm Threaded Stem % x Length	Part Number
	A x B	a x b			
Castor, Twin Wheel, Swivel	42 x 42	32 x 32	-	-	34 8021
Castor, Furniture, Twin Wheel	-	-	8 x 15	-	34 8010
Castor, Twin Wheel, Swivel			-	10 x 15	34 8011
Castor, Twin Wheel, Swivel	42 x 42	32 x 32	-	-	34 8022
Castor, Twin Wheel, Swivel	-	-	8 x 15	-	34 8009
Castor, Twin Wheel, Swivel			-	10 x 15	34 8012

Dimensions : Millimetres

**Disclaimer** This data sheet and its contents (the "Information") belong to the Premier Farnell Group (the "Group") or are licensed to it. No licence is granted for the use of it other than for information purposes in connection with the products to which it relates. No licence of any intellectual property rights is granted. The Information is subject to change without notice and replaces all data sheets previously supplied. The Information supplied is believed to be accurate but the Group assumes no responsibility for its accuracy or completeness, any error in or omission from it or for any use made of it. Users of this data sheet should check for themselves the Information and the suitability of the products for their purpose and not make any assumptions based on information included or omitted. Liability for loss or damage resulting from any reliance on the Information or use of it (including liability resulting from negligence or where the Group was aware of the possibility of such loss or damage arising) is excluded. This will not operate to limit or restrict the Group's liability for death or personal injury resulting from its negligence. DURATOOL is the registered trademark of the Group. © Premier Farnell plc 2009.

<http://www.farnell.com>  
<http://www.newark.com>  
<http://www.cpc.co.uk>

